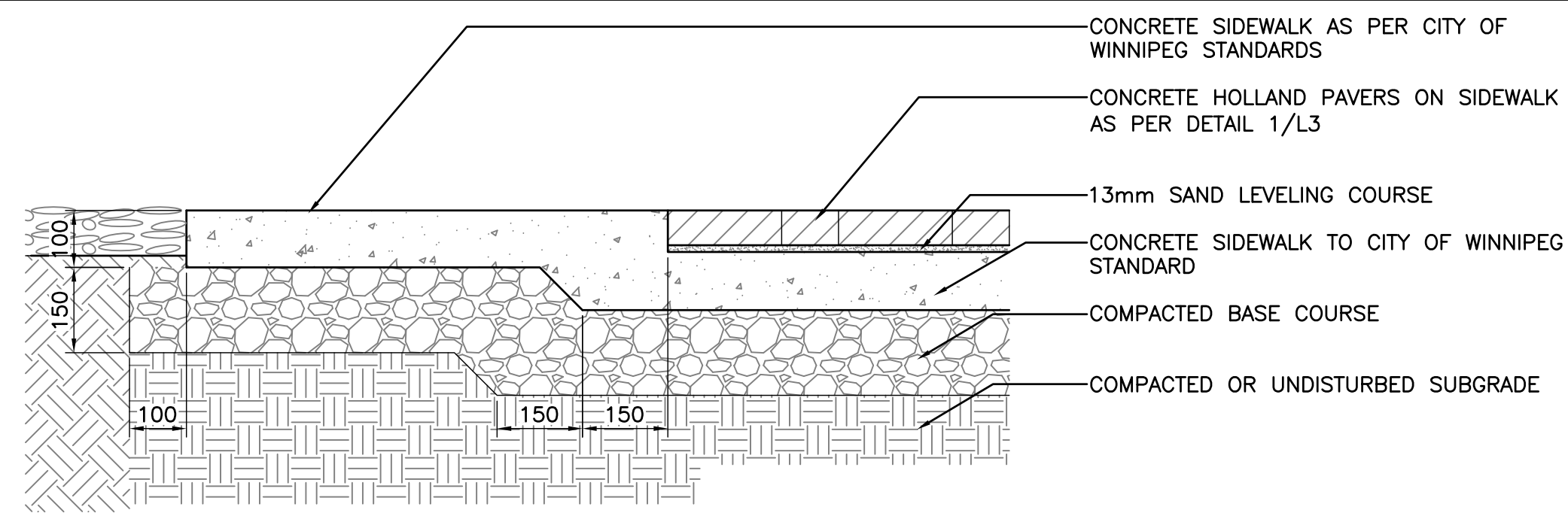
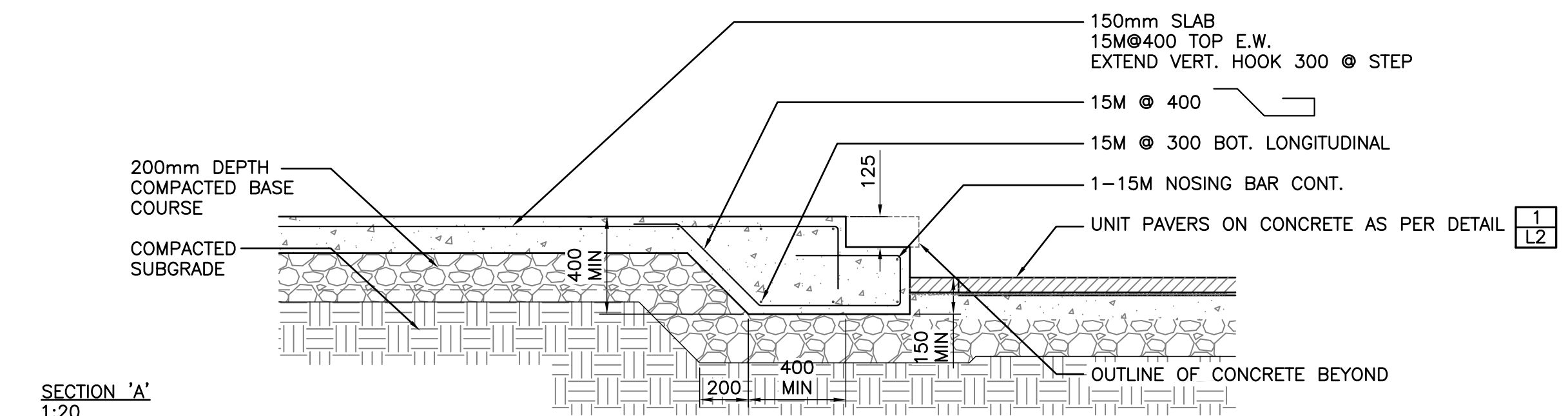


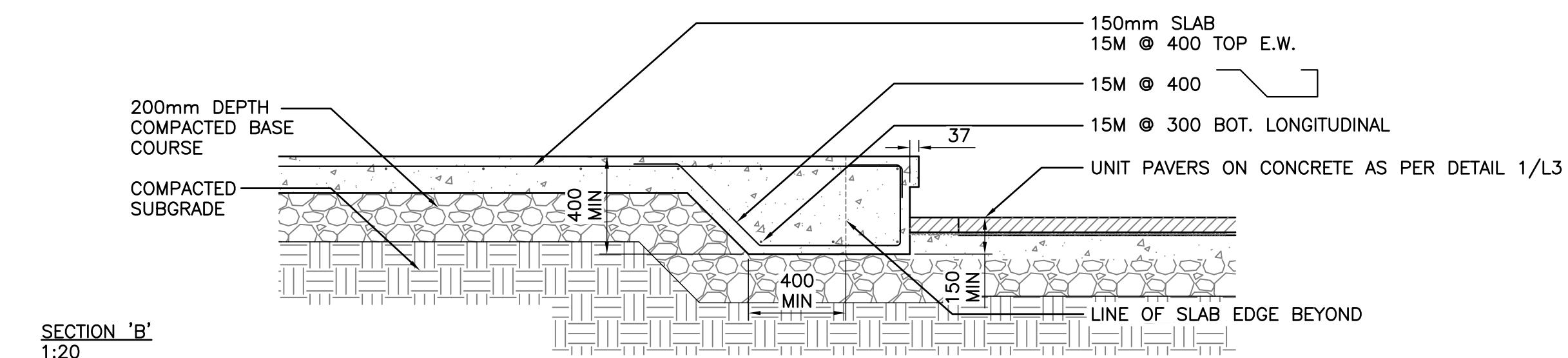
1 UNIT PAVERS ON CONCRETE SIDEWALK  
L1 1:10



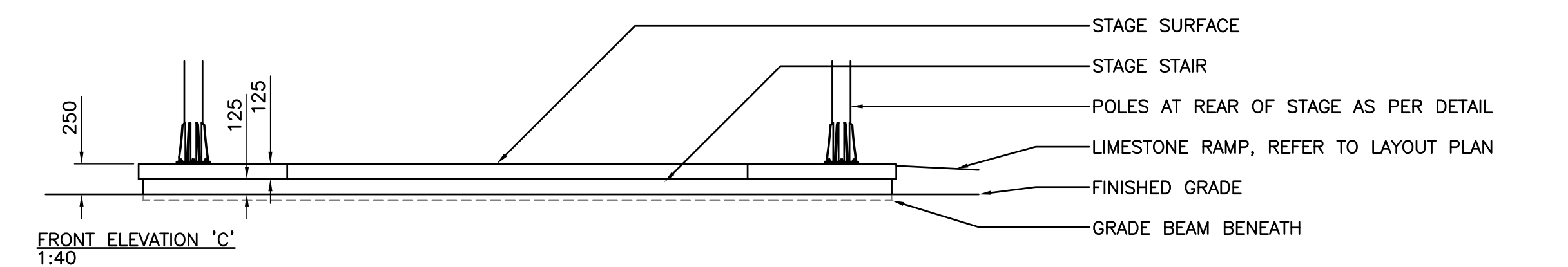
2 CONCRETE SIDEWALK  
L1 1:10



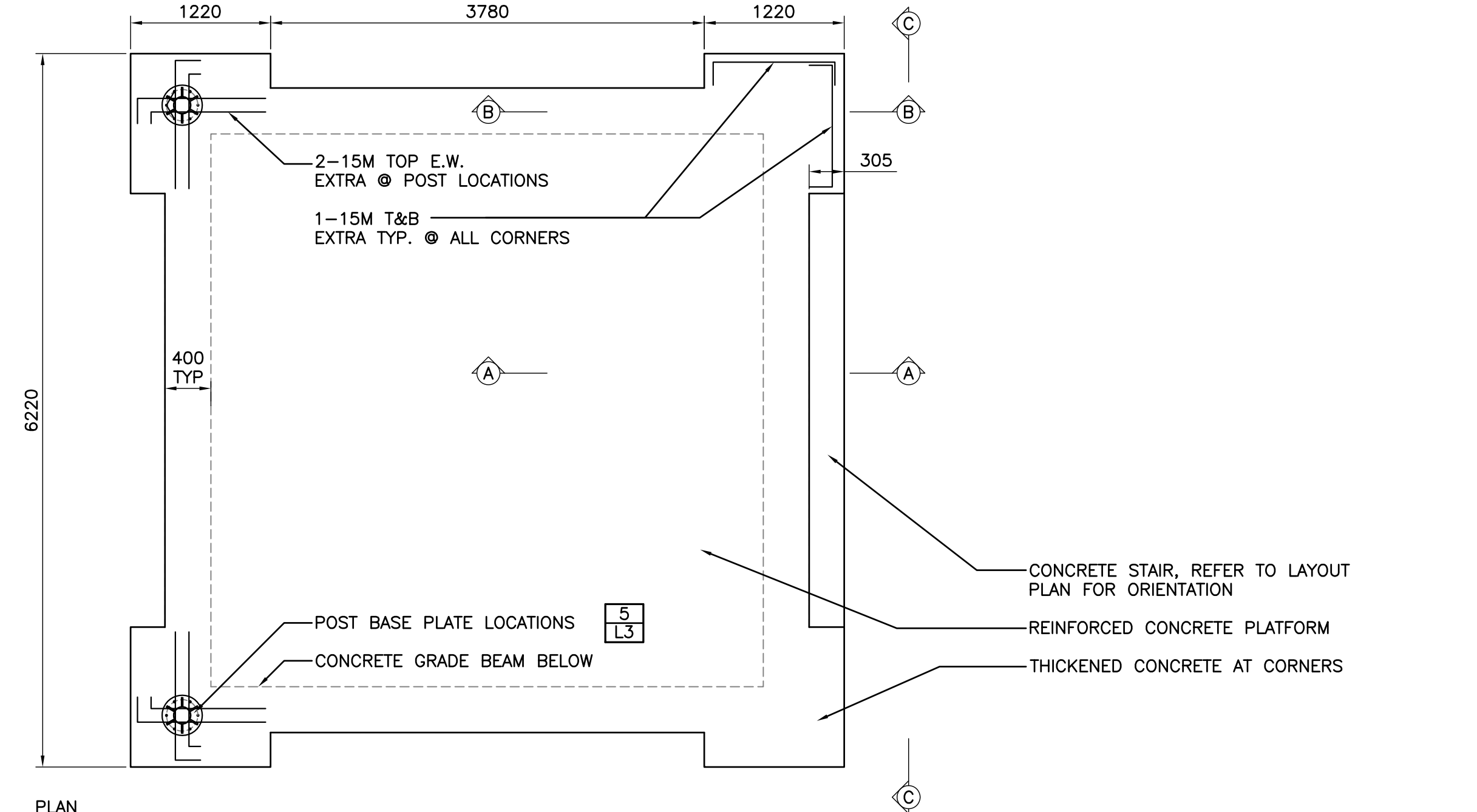
SECTION 'A'  
1:20



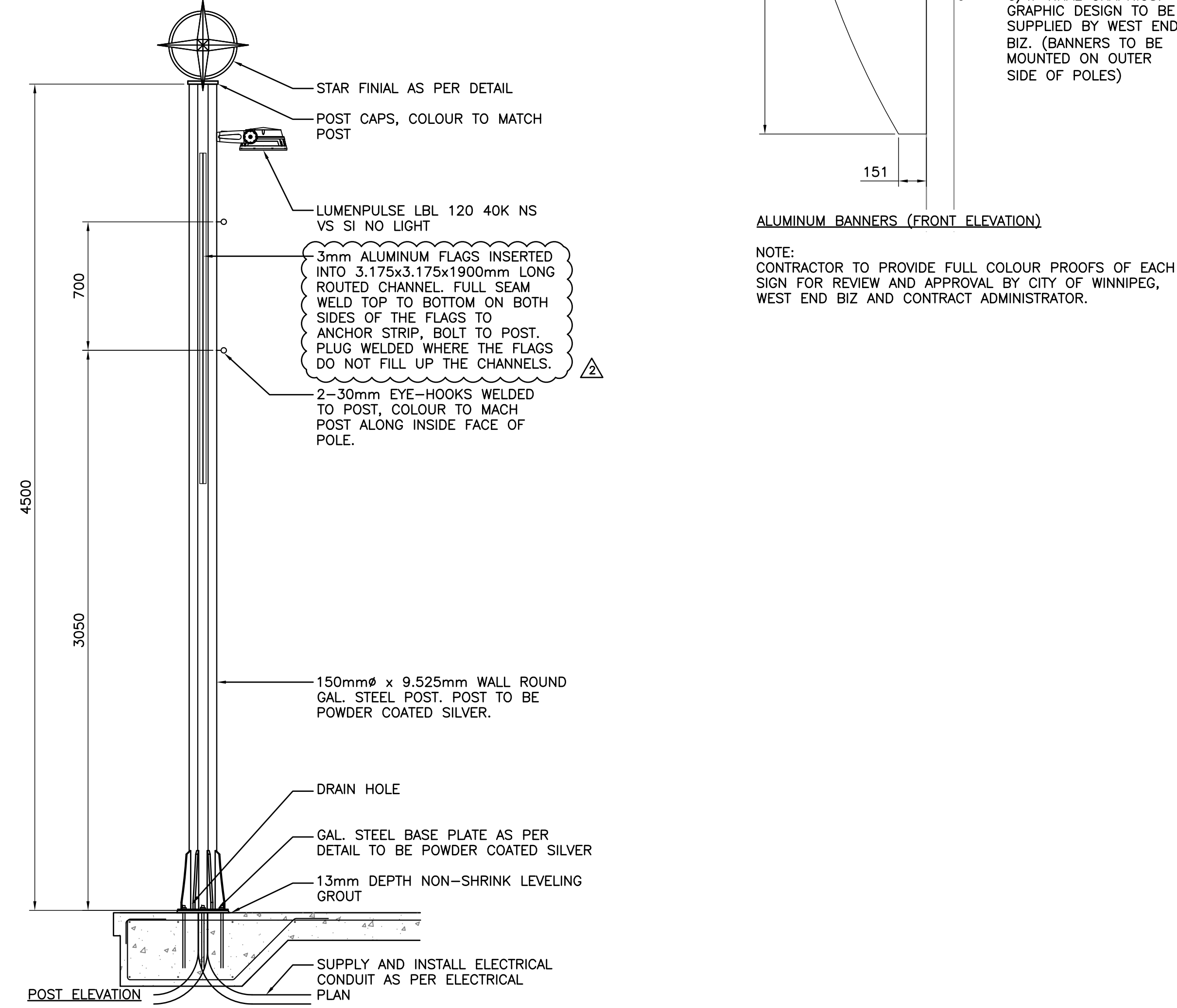
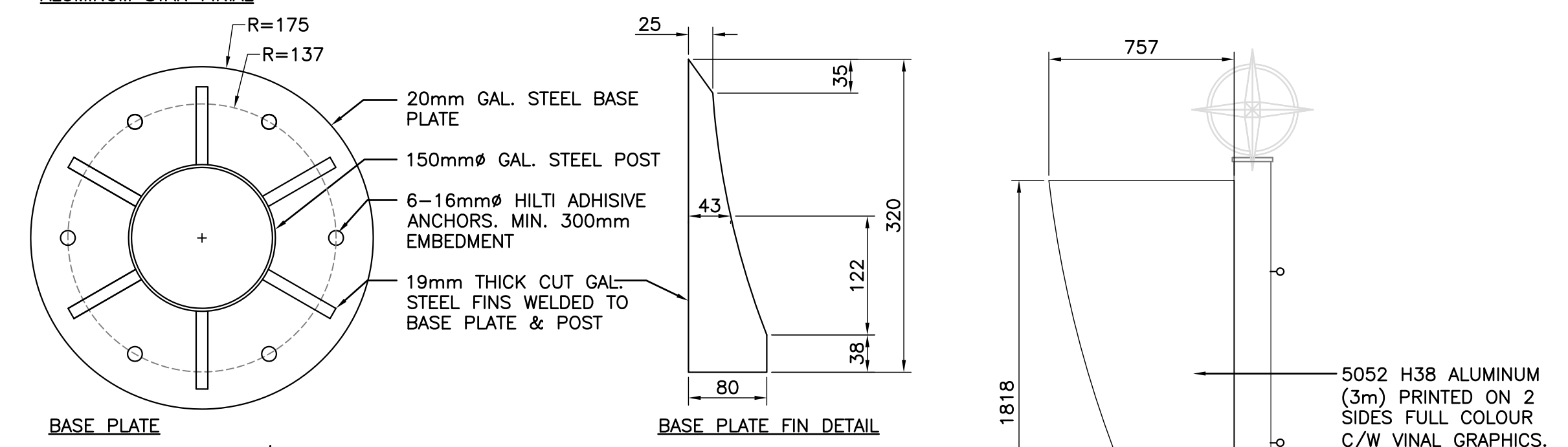
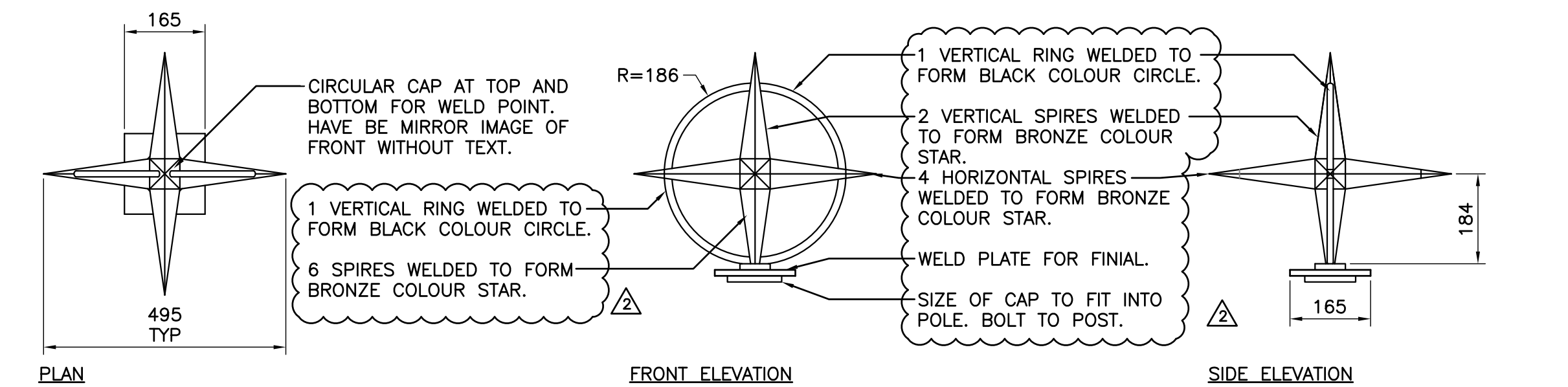
SECTION 'B'  
1:20



FRONT ELEVATION 'C'  
1:40



3 CONCRETE PLATFORM STAGE  
L1 AS NOTED



4 DECORATIVE STAGE POST  
L3 1:20

CONTRACTOR TO SUPPLY SHOP DRAWINGS STAMPED BY A STRUCTURAL ENGINEER LICENSED TO PRACTICE IN THE PROVINCE OF MANITOBA WITH EXTENSIVE EXPERIENCE IN THE DESIGN & MANUFACTURING OF METAL FABRICATION. SHOP DRAWINGS TO INCLUDE WALL THICKNESSES, MATERIALS ETC. AS LISTED IN THE SPECIFICATIONS AND ALL FOUNDATIONS.

ALL DIMENSIONS PROVIDED FOR INFORMATION ON DESIGN INTENT.

2	REVISION TO DETAIL 4 NOTE	29/08/13	AR
1	REVISION TO DETAIL 4 NOTE	27/08/13	AR
1	Issue	Drawn	By
Date:	Scale:		
15-08-13	AS NOTED		
Designed By:	Drawn By:	Checked By:	
AR	AR	AH	



McGOWAN RUSSELL  
CITY OF WINNIPEG  
WEST END BIZ  
SAIGON PARK  
UPGRADES