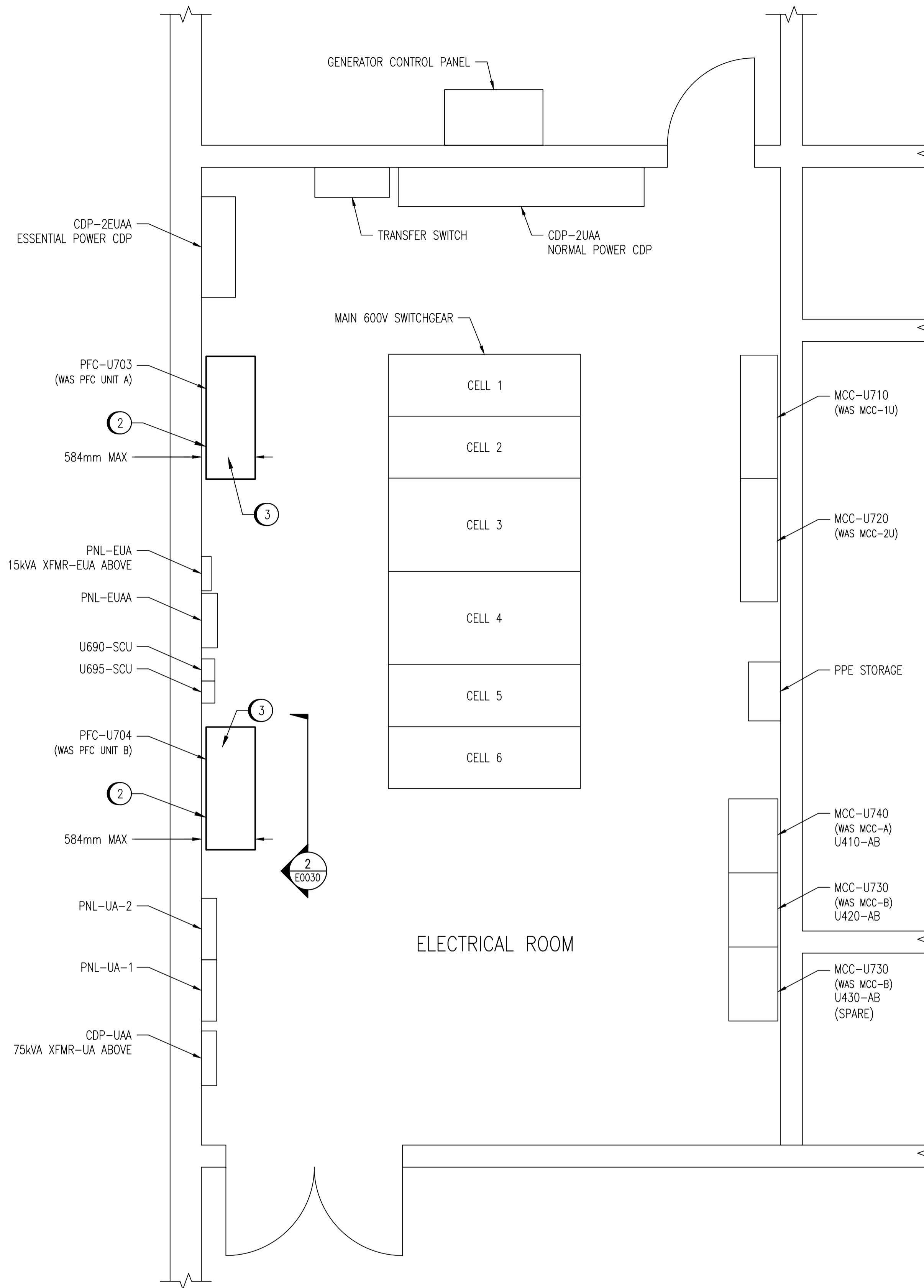


**EXISTING EQUIPMENT LAYOUT**  
SCALE: 1 : 30



**NEW EQUIPMENT LAYOUT**  
SCALE: 1 : 30

**DEMOLITION NOTES**

- (A) REMOVE EXISTING POWER FACTOR CORRECTION UNIT AND ASSOCIATED BUS DUCT TRANSITION CABINET.

**CONSTRUCTION NOTES**

- (1) PERMANENTLY SUPPORT BUS DUCT ON BOTH ENDS BEFORE REMOVAL OF EXISTING BUS TRANSITION CABINET.
- (2) NEW POWER FACTOR CORRECTION UNIT TO FIT ON EXISTING HOUSEKEEPING PAD.
- (3) CORE DRILL HOLE THROUGH HOUSEKEEPING PAD FOR CONTROL CABLE TO DCS. STRAP CABLE TO THE WALL FROM PFC UNITS TO EXISTING CABLE TRAY THAT RUNS ALONG THE SOUTH WALL OF ROOM BELOW.

|                |                    |
|----------------|--------------------|
| DRAWING NUMBER | REFERENCE DRAWINGS |
|----------------|--------------------|



|     |                                      |            |        |       |
|-----|--------------------------------------|------------|--------|-------|
| PA  | ISSUED FOR TENDER (BID OP. 419-2013) | 2013/06/26 | TMC    | CJR   |
| NO. | REVISIONS                            | DATE       | DESIGN | CHECK |

|  |   |                 |
|--|---|-----------------|
| <p><b>SNC-LAVALIN INC.</b><br/>148 Nature Park Way<br/>Winnipeg, MB, Canada R3P 0X7<br/>204-786-8080</p> |   | ENGINEER'S SEAL |
| DESIGNED BY:<br>I. CHURCH  | CHECKED BY:<br>C. REIMER                    |                 |
| DRAWN BY:<br>S. FUNK   | APPROVED BY:<br>C. REIMER                   |                 |
| SCALE:<br>1:30   | RELEASED FOR CONSTRUCTION BY:<br>M. PAETKAU |                 |
| DATE:<br>2013/02/11  | DATE:<br>2013/06/26                         |                 |
| CONSULTANT NO.:  |   |                 |

|   |                                     |
|---|-------------------------------------|
| <p><b>THE CITY OF WINNIPEG</b><br/>WATER AND WASTE DEPARTMENT</p>   |                                     |
| WEST END WATER POLLUTION CONTROL CENTRE<br>POWER FACTOR CORRECTION<br>PLAN LAYOUT<br>UTILITY BUILDING ELECTRICAL ROOM |                                     |
| CITY DRAWING NUMBER<br><b>1-0103V-E0029</b>   | SHEET REV. SIZE<br><b>001 00 A1</b> |