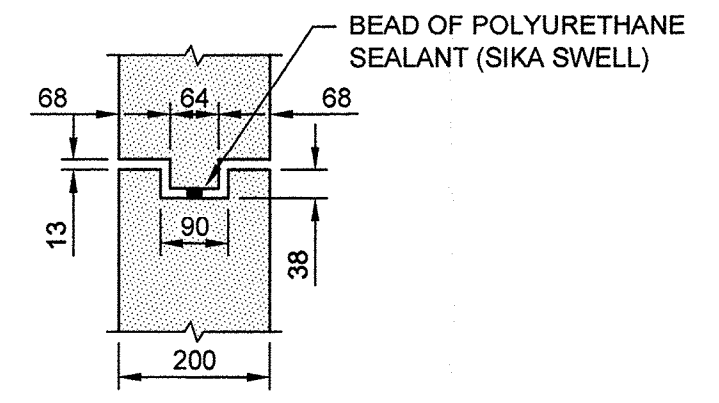
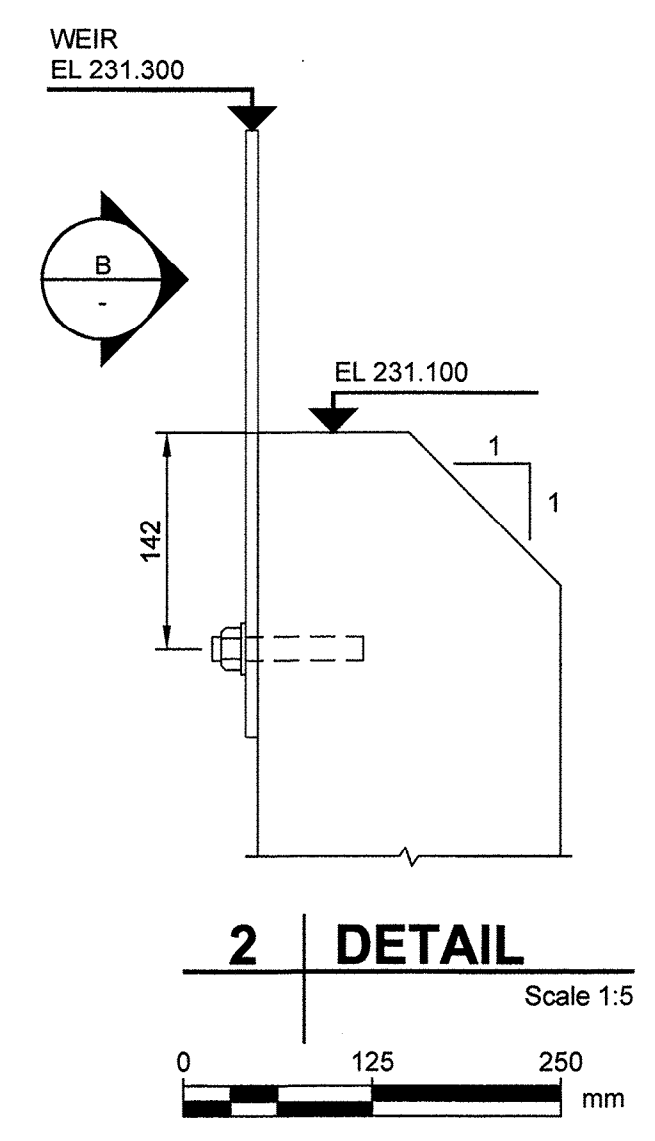


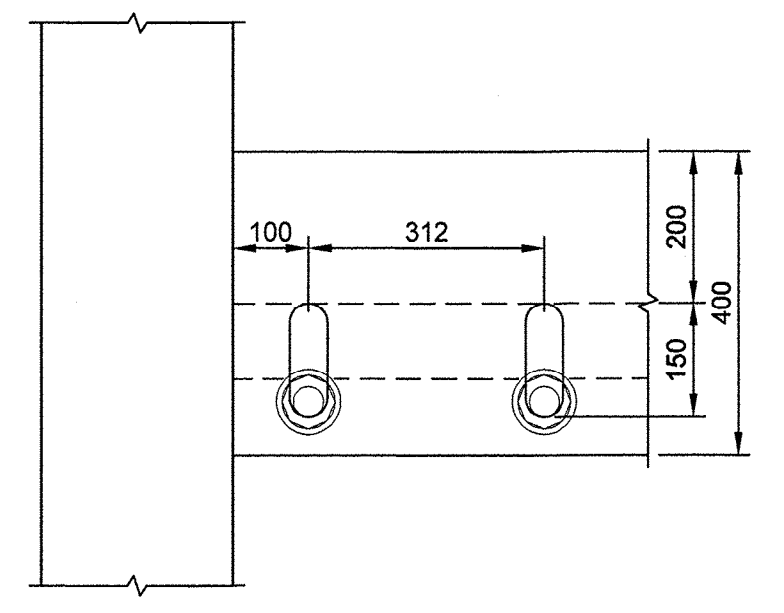
WEIR MANHOLE
P-3346-1106 Scale 1:25
0 625 1250 mm



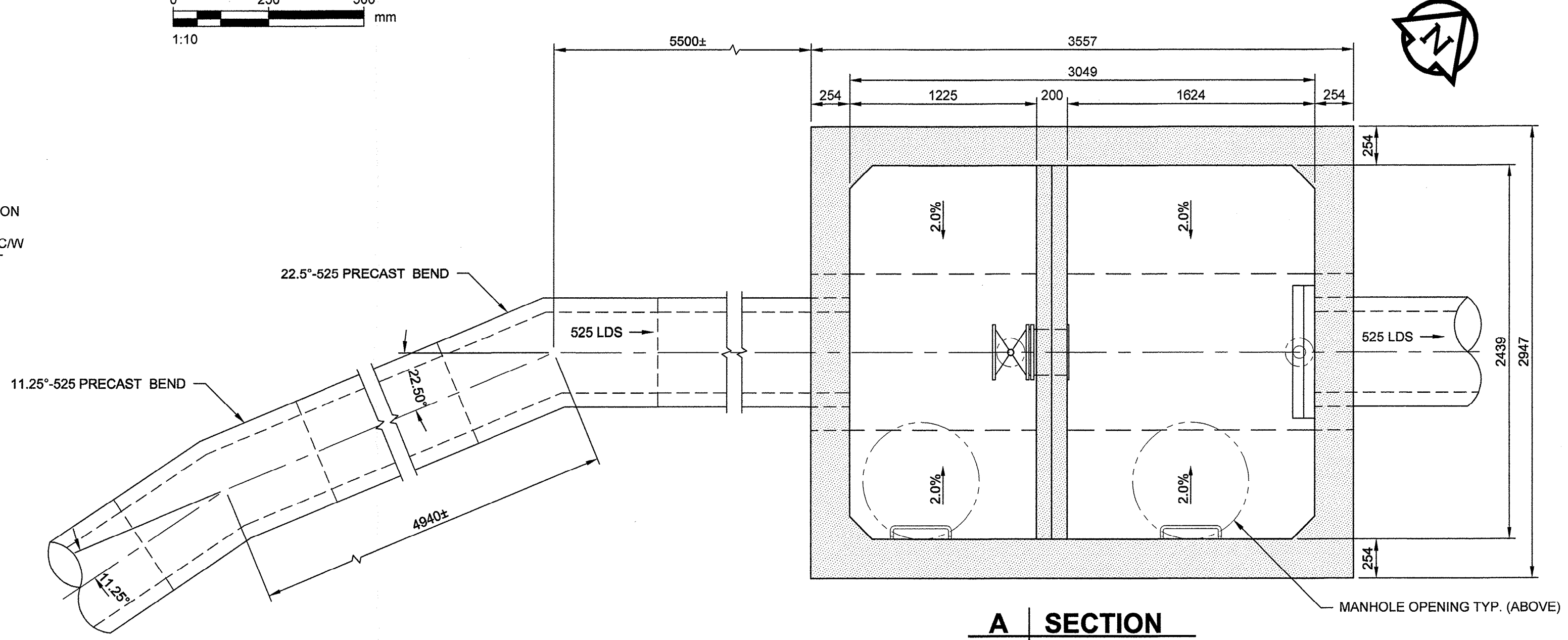
1 | DETAIL
WEIR WALL JOINT
Scale 1:10
0 250 500 mm



2 | DETAIL
Scale 1:5
0 125 250 mm



B | ELEVATION
Scale 1:10
0 250 500 mm



A | SECTION
Scale 1:25
0 625 1250 mm

METRIC
WHOLE NUMBERS INDICATE MILLIMETRES
DECIMALIZED NUMBERS INDICATE METRES



BID OPPORTUNITY NO. 342-2013

LOCATION APPROVED
UNDERGROUND STRUCTURES

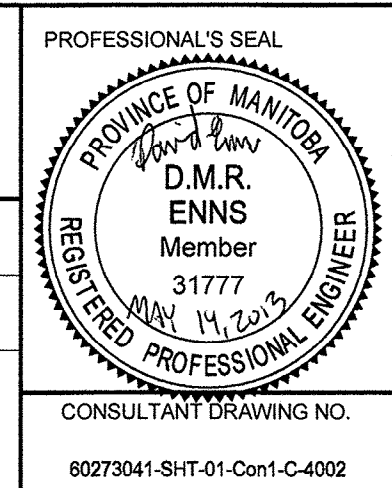
SUPR. U/G STRUCTURES	DATE	COMMITTEE

NOTE:
LOCATION OF UNDERGROUND STRUCTURES AS SHOWN ARE BASED ON THE BEST INFORMATION AVAILABLE. BUT NO GUARANTEE IS GIVEN THAT ALL EXISTING UTILITIES ARE SHOWN OR THAT THE GIVEN LOCATIONS ARE EXACT. CONFIRMATION OF EXISTENCE AND EXACT LOCATION OF ALL SERVICES MUST BE OBTAINED FROM THE INDIVIDUAL UTILITIES BEFORE PROCEEDING WITH CONSTRUCTION.

NO.	REVISIONS	YY/MM/DD	BY
0	ISSUED FOR TENDER	13/05/14	ADL

AECOM

DESIGNED BY	JAT	CHECKED BY	<i>[Signature]</i>
DRAWN BY	ADL	APPROVED BY	<i>[Signature]</i>
HOR. SCALE	AS NOTED	RELEASED FOR CONSTRUCTION	<i>[Signature]</i>
VERT. SCALE	N/A	DATE	



THE CITY OF WINNIPEG
PUBLIC WORKS DEPARTMENT

PLESSIS ROAD TWINNING AND GRADE SEPARATION AT CN REDDITT SUBDIVISION
CONTRACT 1
WEIR MANHOLE
SECTIONS & DETAILS

CITY DRAWING NUMBER	P-3346-1111
SHEET	27 OF 27
CONSULTANT DWG No.	REV
C-4002	0