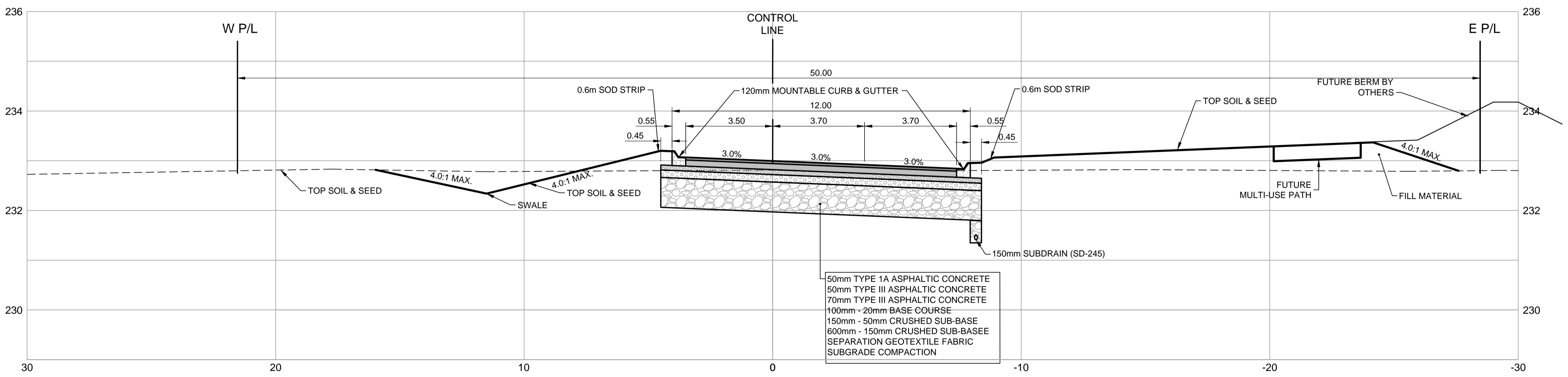
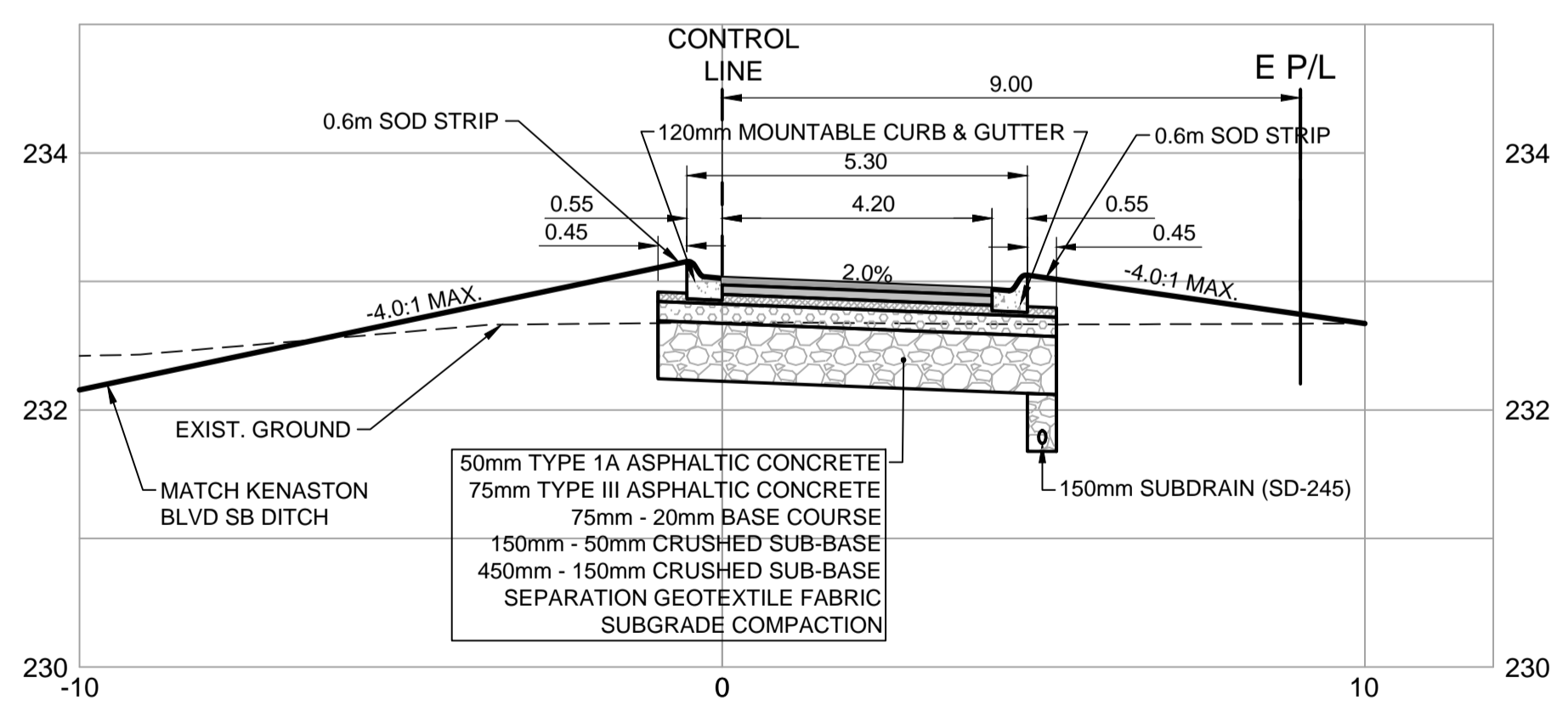


H KENASTON BLVD. N.B. @ STA 3+000
1:100H 1:50V



J KENASTON BLVD. N.B. @ STA 3+580
1:100H 1:50V



K CENTER STREET @ STA 3+310
1:100H 1:50V

METRIC

WHOLE NUMBERS INDICATE MILLIMETRES
DECIMALIZED NUMBERS INDICATE METRES

WARNING

- IF POWER EQUIPMENT OR EXPLOSIVES ARE TO BE USED FOR EXCAVATION ON THIS PROJECT THE CONTRACTOR MUST:
1. NOTIFY THE GAS COMPANY OF THE PROPOSED LOCATION OF EXCAVATION.
 2. TAKE PRECAUTION TO AVOID DAMAGE TO GAS COMPANY INSTALLATIONS SEE PROVINCIAL REGULATION 210/72 FOR DETAILS.
 3. OBTAIN EXCAVATION PERMITS PRIOR TO CONSTRUCTION.



WWARP PART 3 - CONTRACT 1
STA 2+922.4 TO STA 5+935
KENASTON BOULEVARD EXTENSION - SB LANES
ROAD CROSS SECTIONS

CITY DRAWING NUMBER: P-3345-44
SHEET: 44 OF 64
CONSULTANT DRAWING NUMBER: C-303

UNDERGROUND STRUCTURES	B.M. ELEV.	DESIGNED BY	DESIGN TEAM	ENGINEER'S SEAL
SUPV. U/G STRUCTURES COMMITTEE		R.T.F., J.D.P.		
DATE		J.D.P.		
NOTE:		CHECKED BY		
LOCATION OF UNDERGROUND STRUCTURES AS SHOWN ARE BASED ON THE BEST INFORMATION AVAILABLE, BUT NO GUARANTEE IS GIVEN THAT ALL EXISTING UTILITIES ARE SHOWN OR THAT THE GIVEN LOCATIONS ARE EXACT. CONFIRMATION OF EXISTENCE AND EXACT LOCATION OF ALL SERVICES MUST BE OBTAINED FROM THE INDIVIDUAL UTILITIES BEFORE PROCEEDING WITH CONSTRUCTION.		S.B.C.		
		APPROVED BY		
		V.M.M.		
		HOR. SCALE	AS NOTED	CONSULTANT PROJECT NUMBER 113705751
		VERTICAL		
		RELEASED FOR CONSTRUCTION		
		DATE	13/02/22	