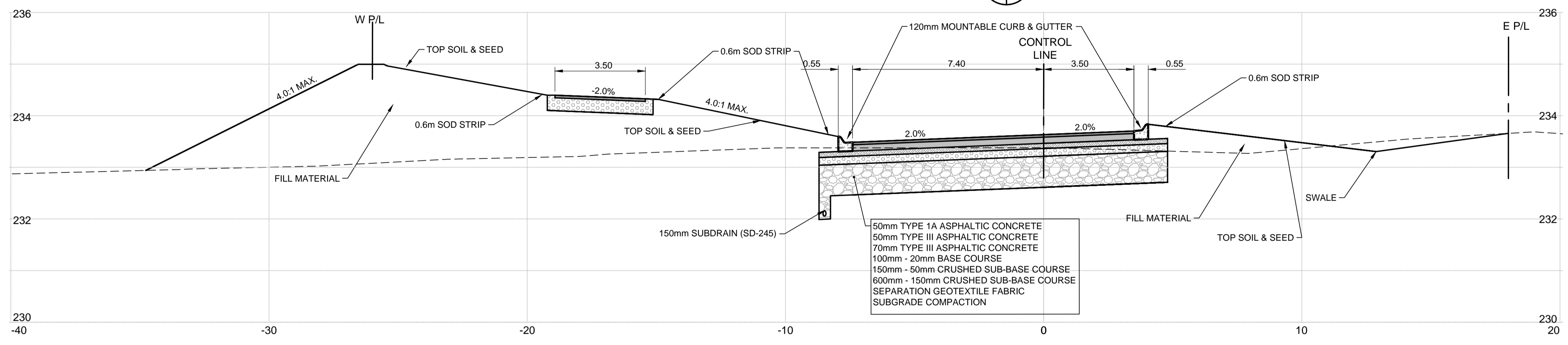
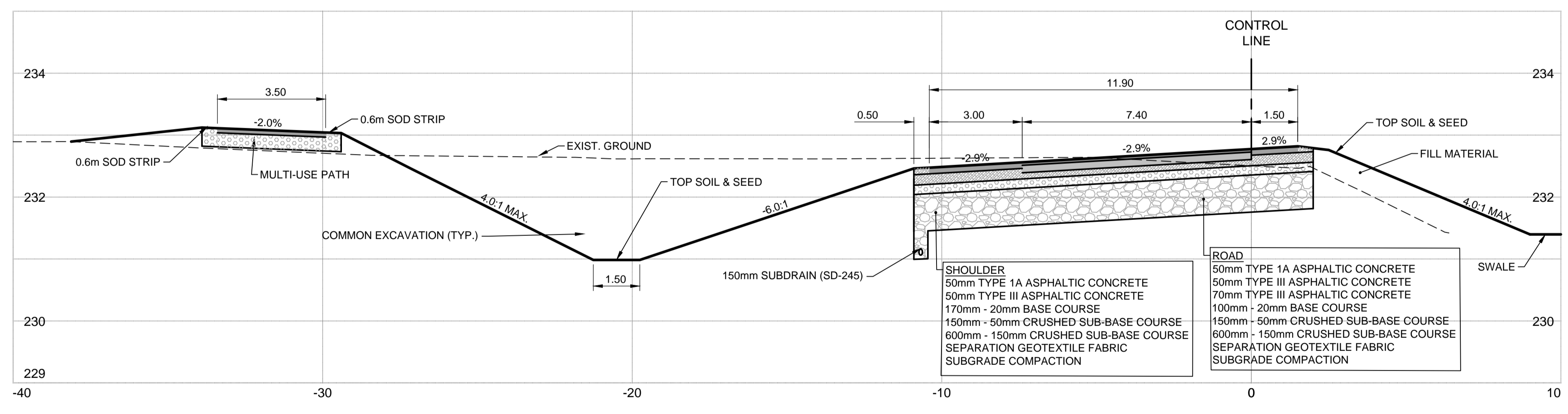


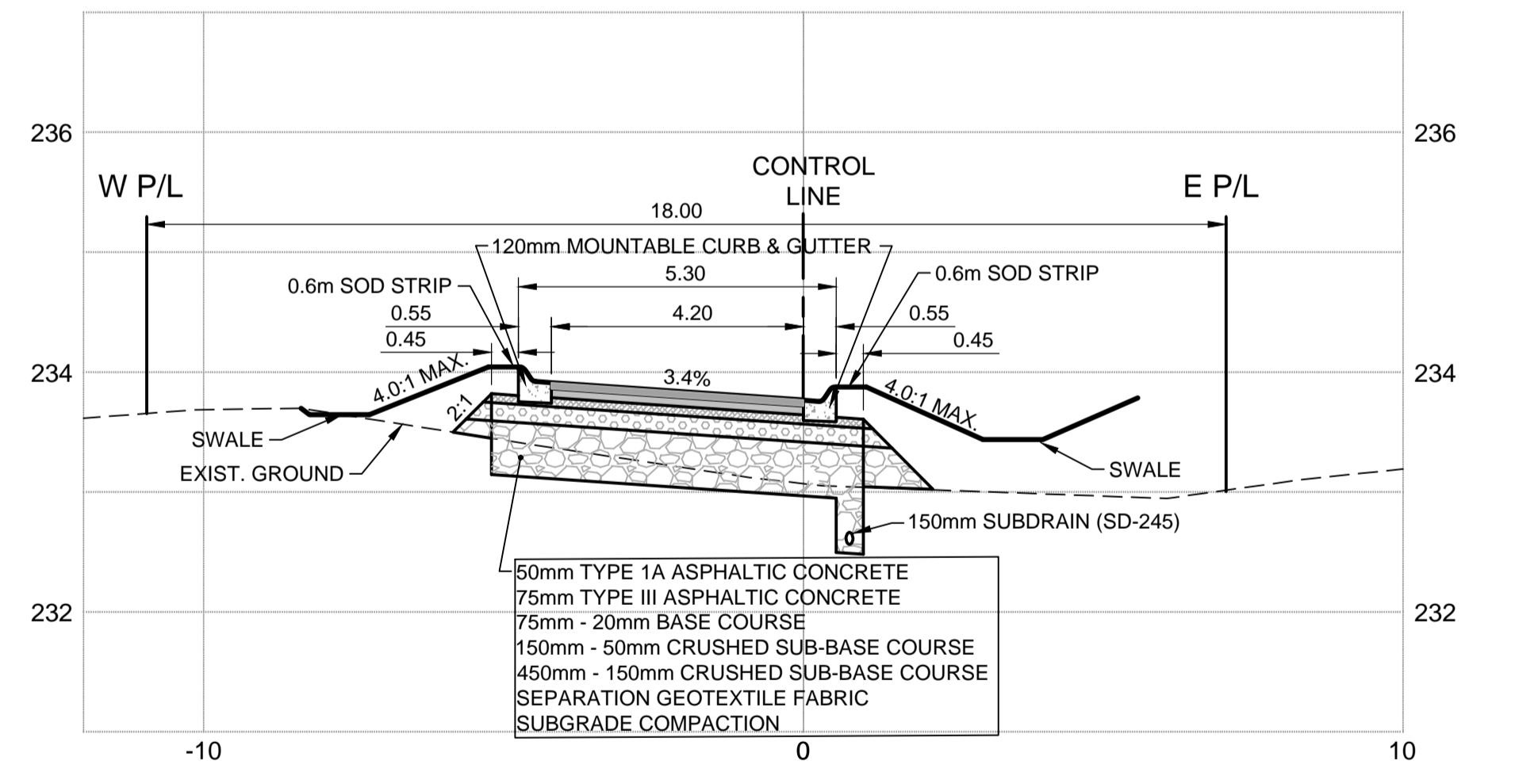
D KENASTON BLVD. @ STA 4+900
15 25 1:100H 1:50V



E KENASTON BLVD. @ STA 5+230
17 25 1:100H 1:50V



F KENASTON BLVD. @ STA 5+750
19 25 1:100H 1:50V



G CENTER STREET @ STA 5+000
23 25 1:100H 1:50V

METRIC

WHOLE NUMBERS INDICATE MILLIMETRES
DECIMALIZED NUMBERS INDICATE METRES

WARNING

- IF POWER EQUIPMENT OR EXPLOSIVES ARE TO BE USED FOR EXCAVATION ON THIS PROJECT THE CONTRACTOR MUST:
1. NOTIFY THE GAS COMPANY OF THE PROPOSED LOCATION OF EXCAVATION.
 2. TAKE PRECAUTION TO AVOID DAMAGE TO GAS COMPANY INSTALLATIONS SEE PROVINCIAL REGULATION 210/72 FOR DETAILS.
 3. OBTAIN EXCAVATION PERMITS PRIOR TO CONSTRUCTION.

UNDERGROUND STRUCTURES		B.M. ELEV.	DESIGNED BY	DESIGN TEAM	ENGINEER'S SEAL
SUPV. U/G STRUCTURES COMMITTEE	DATE		V.M.M., T.G.		
			DRAWN BY T.G.		
			CHECKED BY S.B.C.		
			APPROVED BY V.M.M.		
NOTE:			HOR. SCALE 1:100	RELEASED FOR CONSTRUCTION	CONSULTANT PROJECT NUMBER
LOCATION OF UNDERGROUND STRUCTURES AS SHOWN ARE BASED ON THE BEST INFORMATION AVAILABLE, BUT NO GUARANTEE IS GIVEN THAT ALL EXISTING UTILITIES ARE SHOWN OR THAT THE GIVEN LOCATIONS ARE EXACT. CONFIRMATION OF EXISTENCE AND EXACT LOCATION OF ALL SERVICES MUST BE OBTAINED FROM THE INDIVIDUAL UTILITIES BEFORE PROCEEDING WITH CONSTRUCTION.			VERTICAL 1:50		113705751
			DATE	DATE	
NO.	REVISIONS	DATE	BY	DATE	
				13/03/26	



THE CITY OF WINNIPEG
PUBLIC WORKS DEPARTMENT

Winnipeg

WWARP PART 3 - CONTRACT 1
STA 2+922.4 TO STA 5+935

KENASTON BOULEVARD EXTENSION - SB LANES
ROAD CROSS SECTIONS

CITY DRAWING NUMBER P-3345-25
SHEET 25 OF 64
CONSULTANT DRAWING NUMBER C-302

VA 1137 (revise) 11/30/05 (1) drawing (404_working) sheet_files (05751c-301-XXX.dwg)