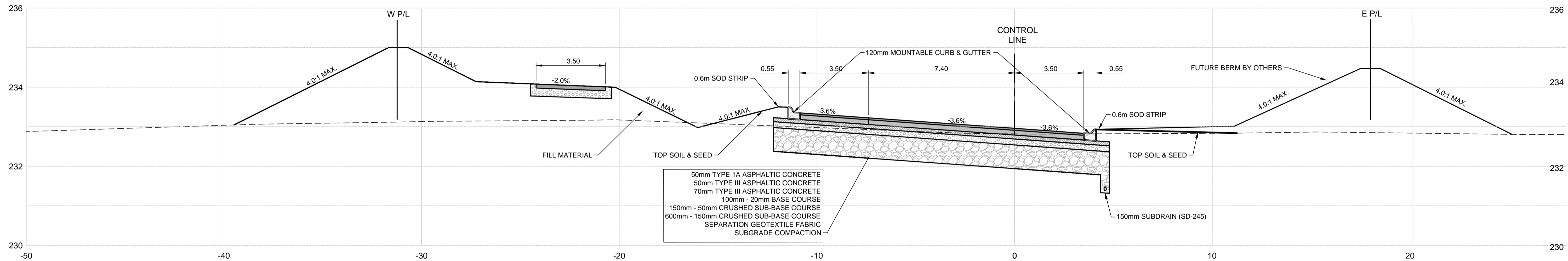
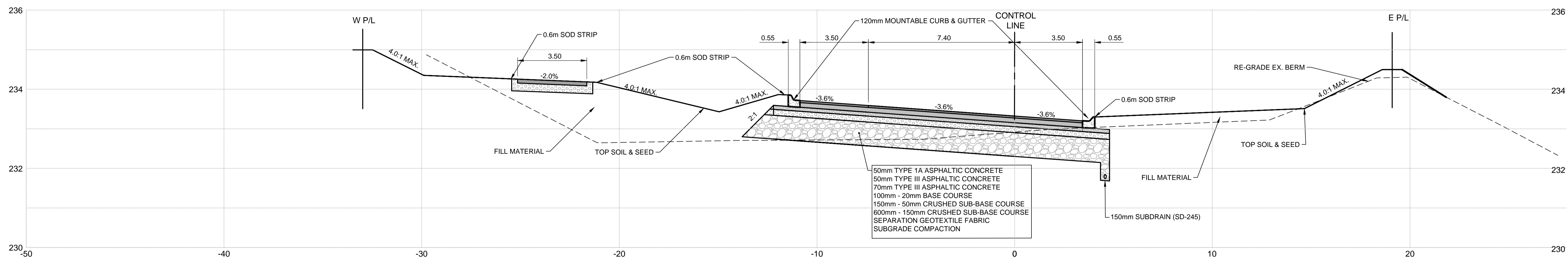


A KENASTON BLVD. @ STA 3+000
1:100H 1:50V



B KENASTON BLVD. @ STA 3+850
1:100H 1:50V



C KENASTON BLVD. @ STA 4+250
1:100H 1:50V

METRIC

WHOLE NUMBERS INDICATE MILLIMETRES
DECIMALIZED NUMBERS INDICATE METRES

WARNING

- IF POWER EQUIPMENT OR EXPLOSIVES ARE TO BE USED FOR EXCAVATION ON THIS PROJECT THE CONTRACTOR MUST:
1. NOTIFY THE GAS COMPANY OF THE PROPOSED LOCATION OF EXCAVATION.
 2. TAKE PRECAUTION TO AVOID DAMAGE TO GAS COMPANY INSTALLATIONS SEE PROVINCIAL REGULATION 210/72 FOR DETAILS.
 3. OBTAIN EXCAVATION PERMITS PRIOR TO CONSTRUCTION.



THE CITY OF WINNIPEG
PUBLIC WORKS DEPARTMENT

Winnipeg

WWARP PART 3 - CONTRACT 1
STA 2+922.4 TO STA 5+935

KENASTON BOULEVARD EXTENSION - SB LANES
ROAD CROSS SECTIONS

CITY DRAWING NUMBER: P-3345-24
SHEET: 24 OF 64
CONSULTANT DRAWING NUMBER: C-301

UNDERGROUND STRUCTURES SUPV. U/G STRUCTURES COMMITTEE DATE		B.M. ELEV.	DESIGNED BY: V.M.M., T.G. DRAWN BY: T.G. CHECKED BY: S.B.C. APPROVED BY: V.M.M.	DESIGN TEAM 	ENGINEER'S SEAL
NOTE: LOCATION OF UNDERGROUND STRUCTURES AS SHOWN ARE BASED ON THE BEST INFORMATION AVAILABLE, BUT NO GUARANTEE IS GIVEN THAT ALL EXISTING UTILITIES ARE SHOWN OR THAT THE GIVEN LOCATIONS ARE EXACT. CONFIRMATION OF EXISTENCE AND EXACT LOCATION OF ALL SERVICES MUST BE OBTAINED FROM THE INDIVIDUAL UTILITIES BEFORE PROCEEDING WITH CONSTRUCTION.		2 ISSUED FOR TENDER 3/04/08 V.M.M. 1 ISSUED FOR REVIEW 3/03/27 V.M.M. 0 ISSUED FOR 90% REVIEW 13/02/22 V.M.M.	HOR. SCALE 1:100 VERTICAL 1:50	RELEASED FOR CONSTRUCTION	CONSULTANT PROJECT NUMBER: 113705751
NO. REVISIONS		DATE BY DATE	09/20/12	DATE	DATE

VA 1137 (revise) 11/3705751 (drawing) 404_working (sheet_files) 05751c-301-XXX.dwg