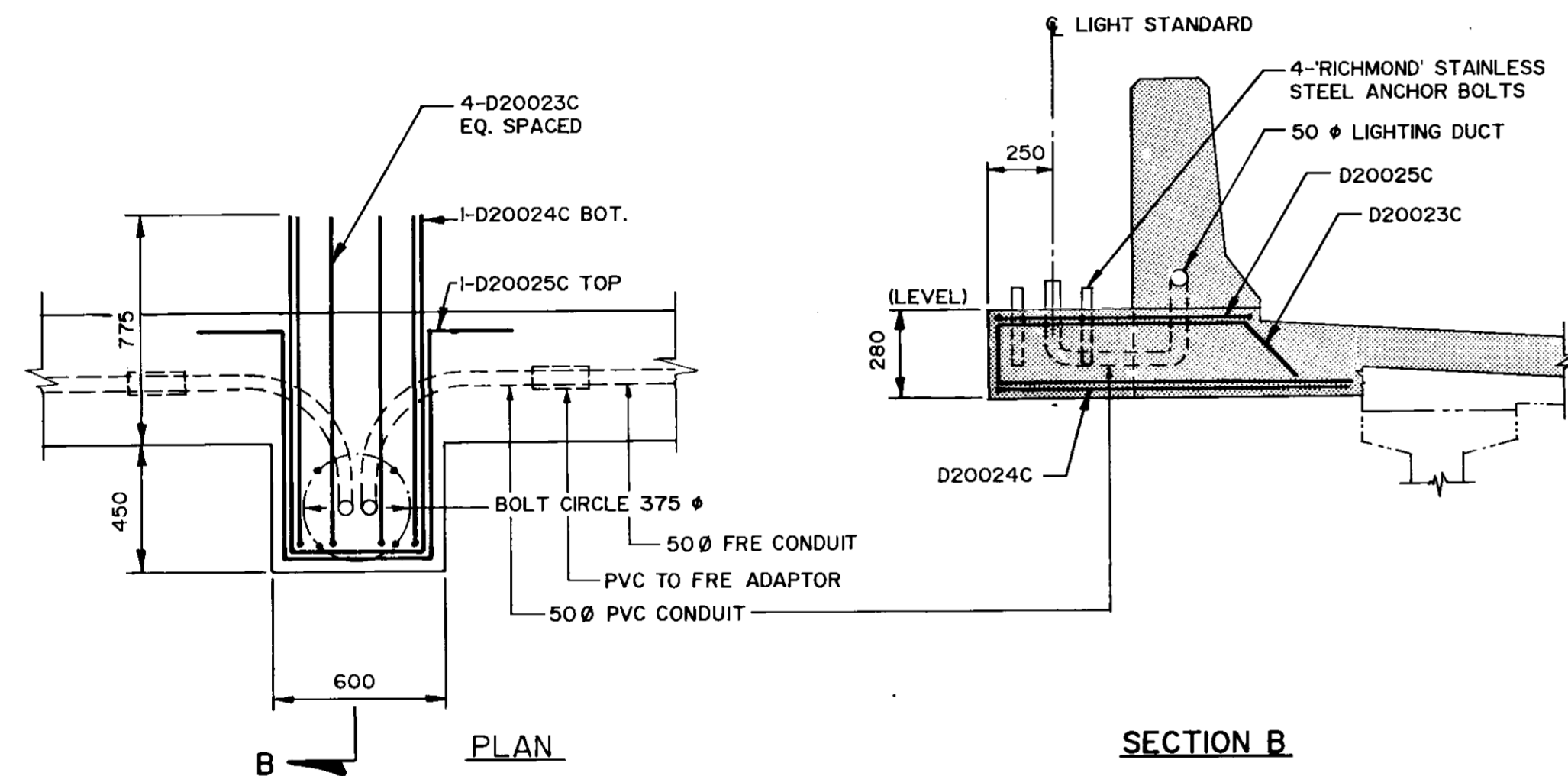


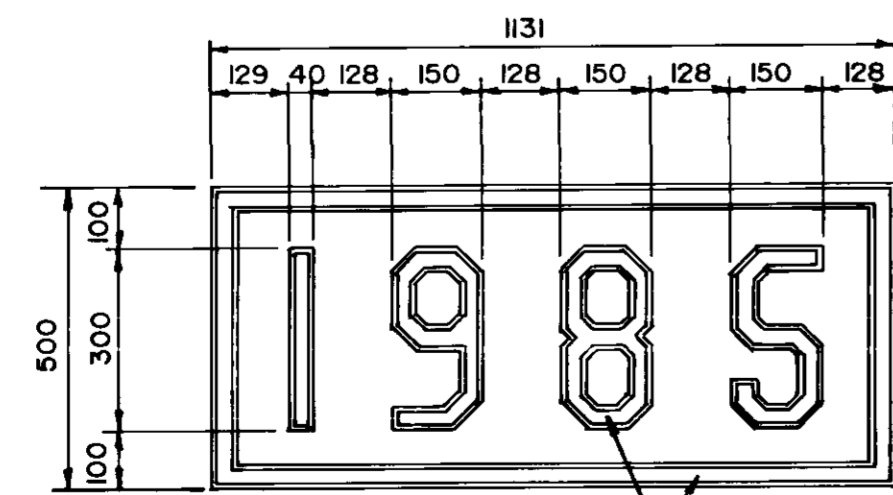
LIGHTING POLE BASE DETAIL

NORTH SIDE  
SCALE - 1 : 20



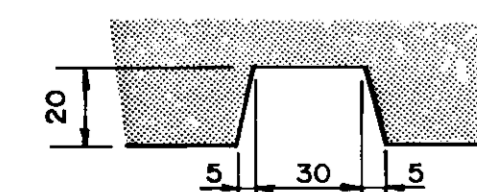
LIGHTING POLE BASE DETAIL

SOUTH SIDE  
SCALE - 1 : 20



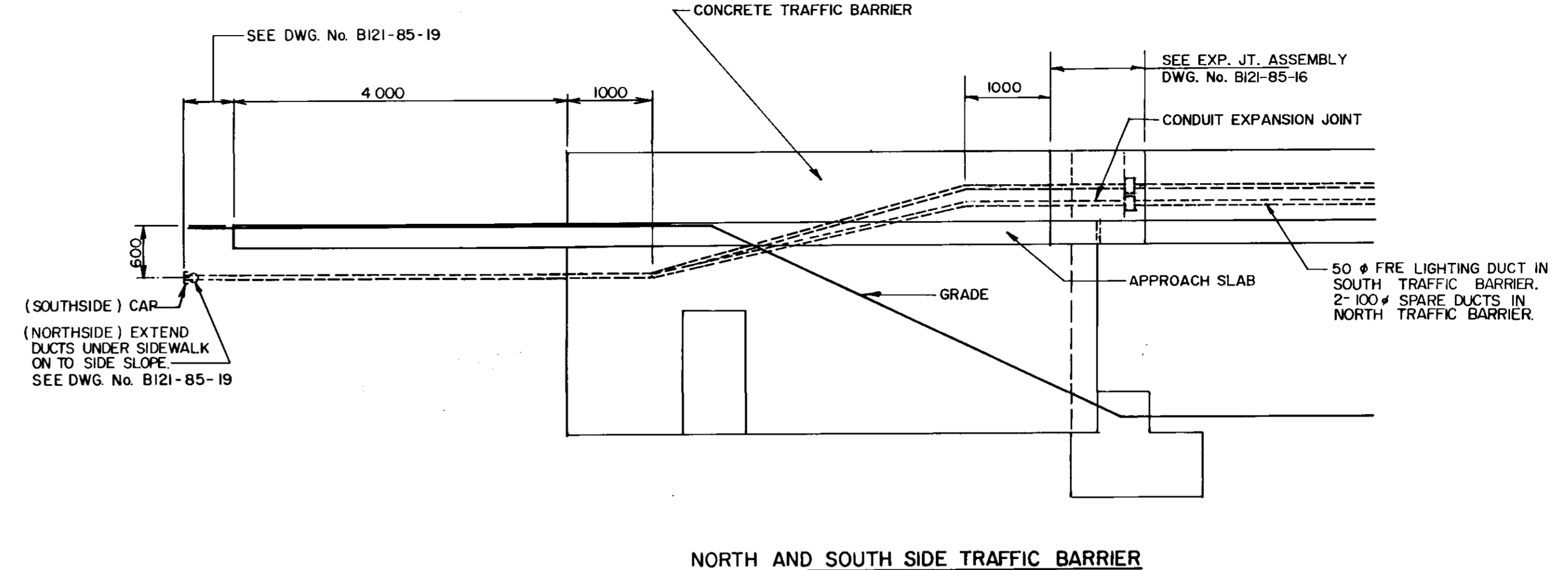
20x40 RECESS SEE DETAIL

DATE ELEVATION  
SCALE - 1 : 12.5

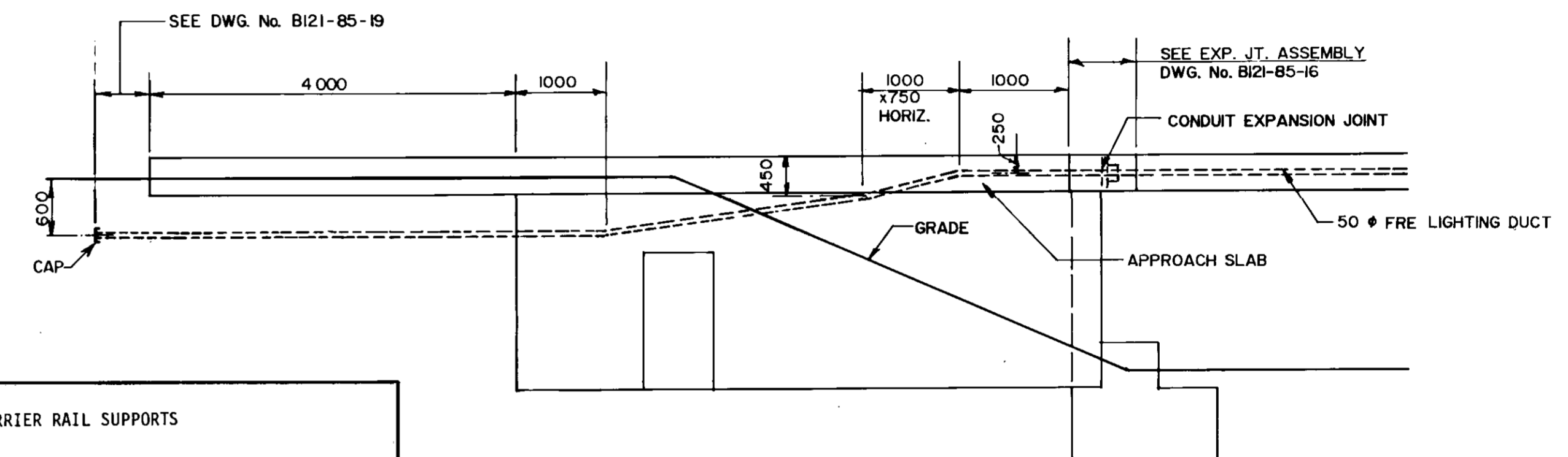


RECESS DETAIL  
SCALE - 1 : 2

DATE DETAILS



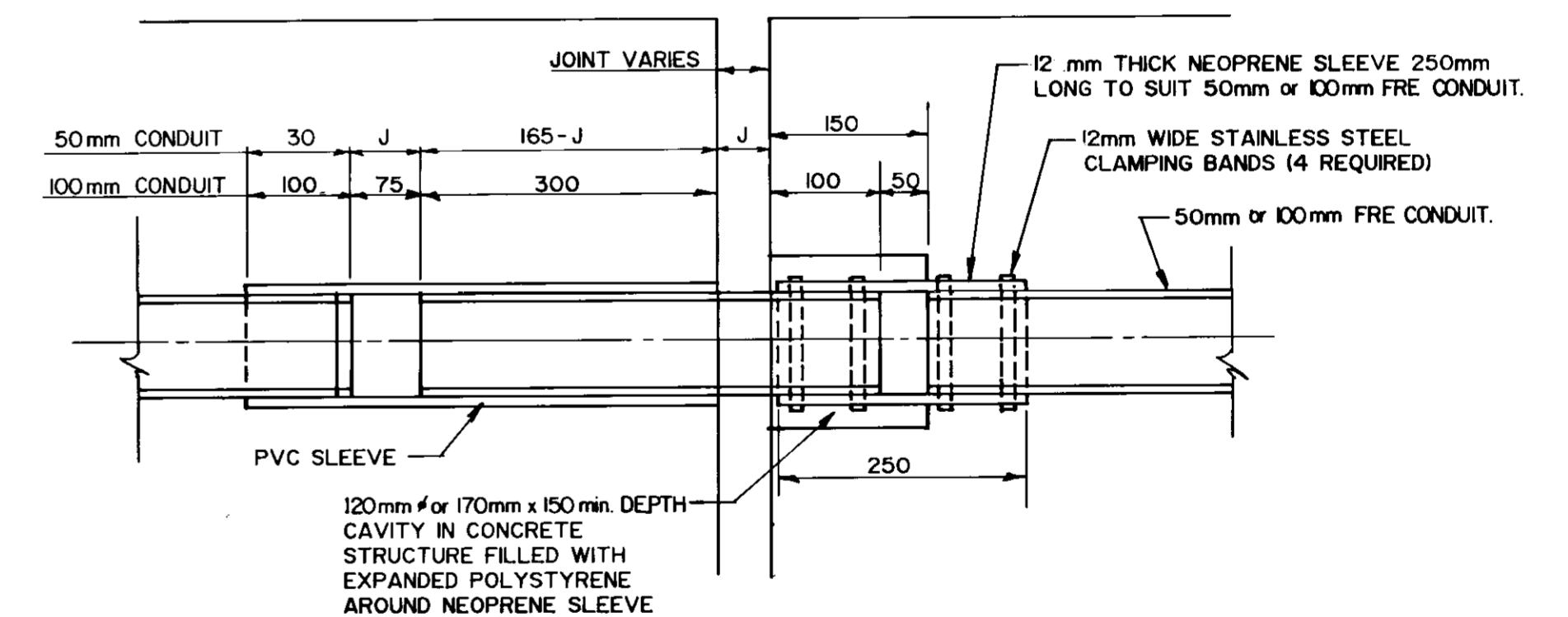
NORTH AND SOUTH SIDE TRAFFIC BARRIER



NORTH SIDE (SIDEWALK) SEE DWG. B121-85-19

CONDUIT TERMINATION DETAILS

SCALE - 1 : 50



TYPICAL CONDUIT EXPANSION JOINT ASSEMBLY

ABUTMENTS AND PIERS 3 & 8

B-5584

METRIC

RECORD DRAWING

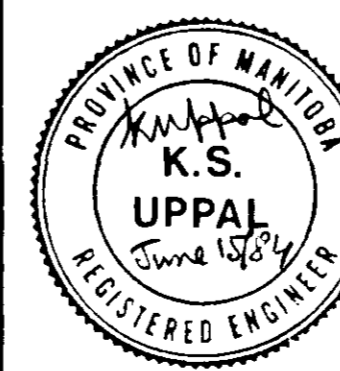
N.T.S.

WHOLE NUMBERS INDICATE MILLIMETRES  
DECIMALIZED NUMBERS INDICATE METRES

ALUMINUM TRAFFIC BARRIER RAIL SUPPORTS		
BILL OF MATERIALS		
ITEM	NO. REQUIRED FOR INSTALLATION	NO. TO BE SUPPLIED TO CITY FOR STANDBY
Barrier Rail 11430 mm	36	-
Barrier Rail 8827 mm	2	-
Barrier Rail 8412 mm	1	-
Barrier Rail 8126 mm	2	-
Barrier Rail 8000 mm	2	-
Barrier Rail 7937 mm	2	-
Barrier Rail 5223 mm	4	-
Barrier Rail 11157 mm	1	-
Rail End Section	4 - 2 Right Hand - 2 Left Hand	4 - 2 Right Hand - 2 Left Hand
Rail Post (BR1 Type C)	162	5*
Standard Splice Bar	44	-
Expansion Splice Bar	8	10
Rail Clamp Bar (For BR1 Type C Posts)*	324	10
Cap Screws	840	-
Washers	840	-
Shims for Rail Posts	As Required	10 Ea. of 1.5, 3.0 and 6.0 mm Thickness
Shims for Rail End Section	As required	10 Ea. of 1.5, 3.0 and 6.0 mm Thickness
Rail Post Anchor Bolts	Straight = 332 Prebent = 332	Straight = 4 Prebent = 4

\* See Drawing B121-85-13 For Details.

NO	REVISIONS	DATE	APP
1	RECORD DRAWING	NOV.86	



ENGINEER'S SEAL

the **uma** group  
Underwood McLellan Ltd.  
Consulting Engineers and Planners

DESIGNED BY: K.U.  
DRAWN BY: J.R.C./E.J.B.  
CHECKED BY: J.T.  
DATE: APRIL 1985  
JOB No. 0265-216-01  
APPROVED BY: [Signature] DATE: June 15/89

THE CITY OF WINNIPEG  
WORKS & OPERATIONS DIVISION  
STREETS & TRANSPORTATION DEPARTMENT

NAIRN AVENUE OVERPASS  
DECK REHABILITATION, STRUCTURAL STRENGTHENING AND RELATED WORKS  
ELECTRICAL EMBEDDED WORK AND MISCELLANEOUS DETAILS  
AUTHORIZED BY: [Signature] DATE: 85-04-16  
ACCEPTED BY: [Signature] DATE: 85-04-16  
SCALE: AS NOTED  
DRAWING NO: B121-85-18