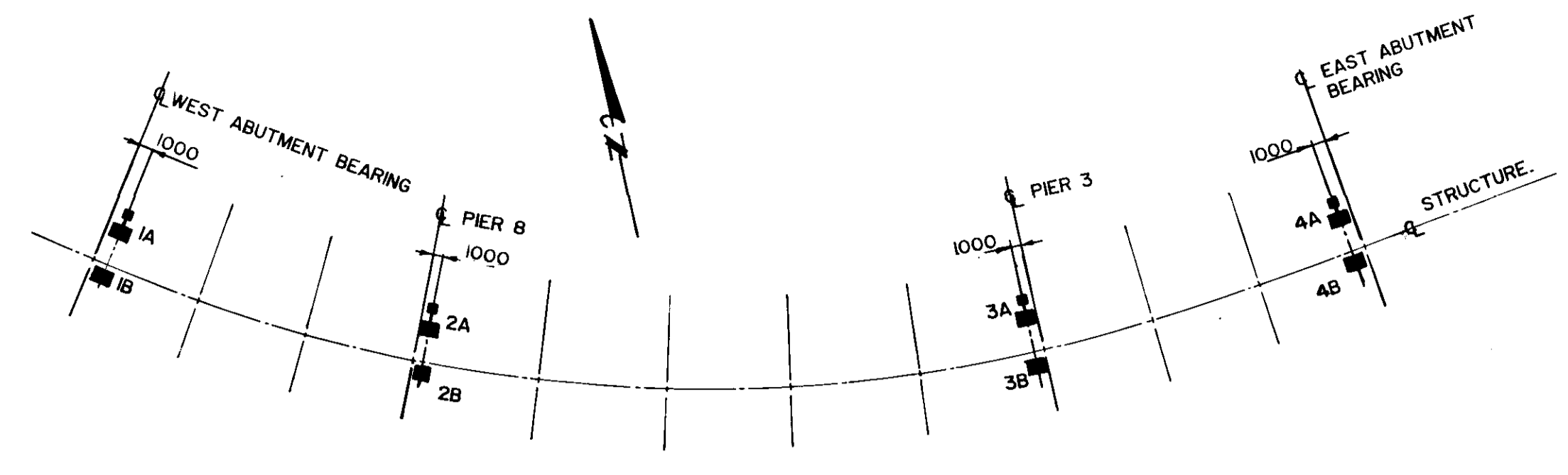
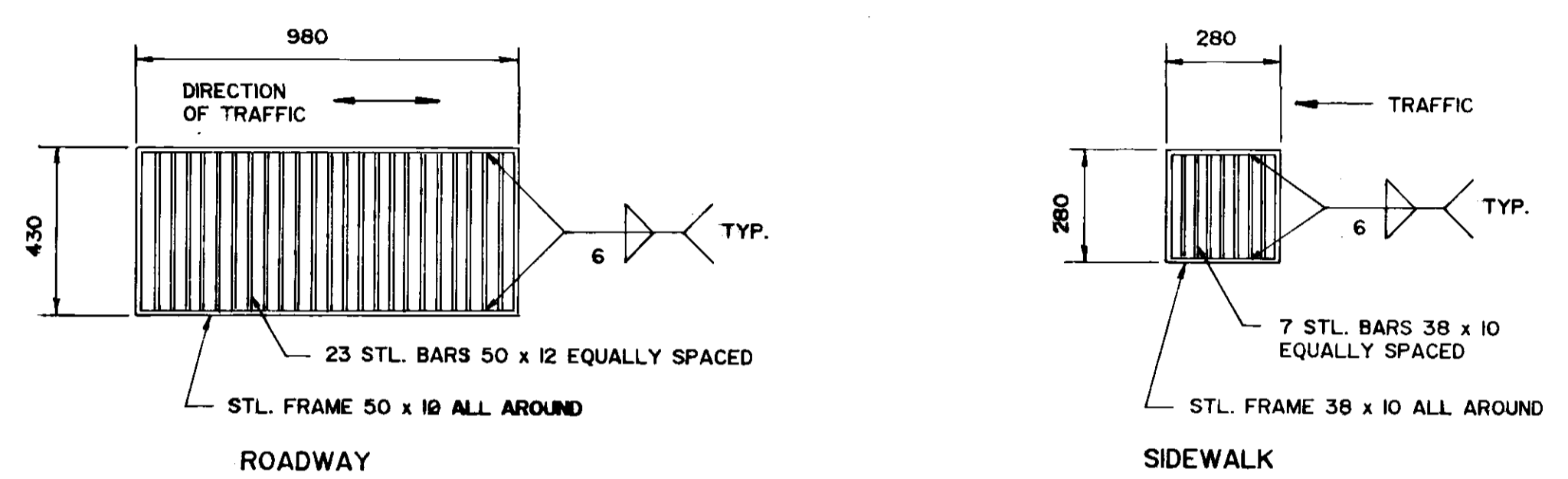


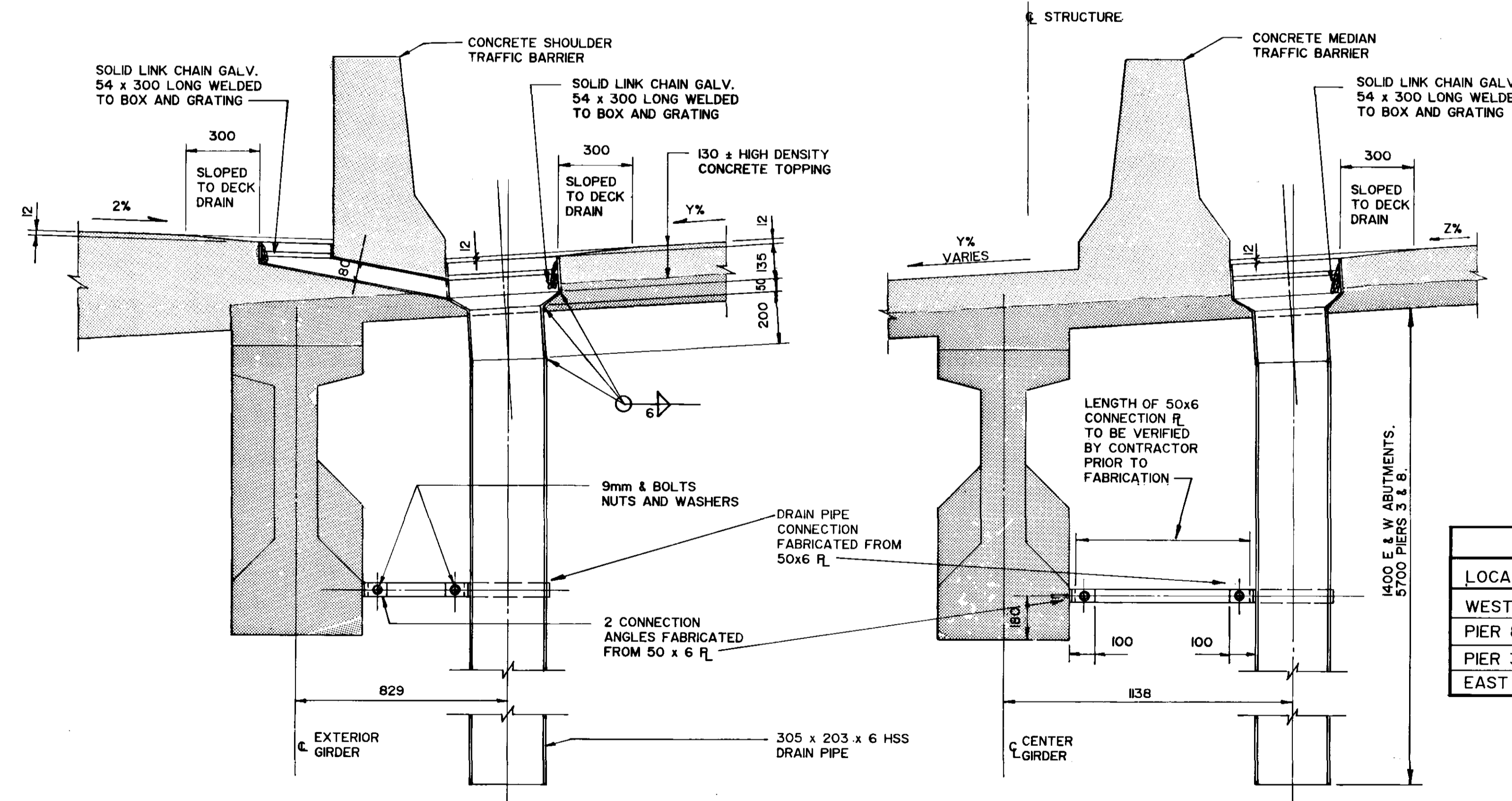
PLAN



KEY PLAN



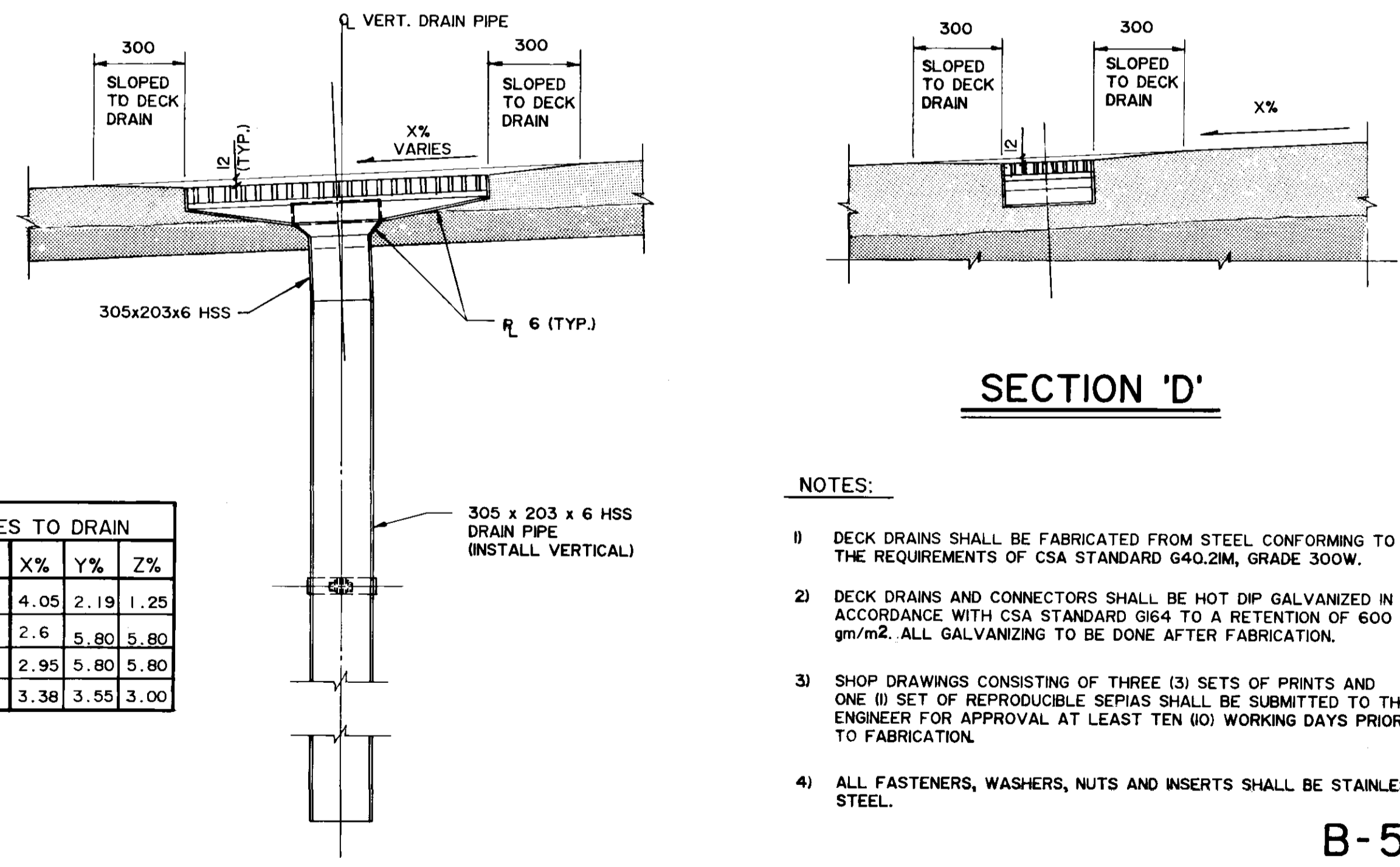
GRATING DETAIL PLANS



SECTION 'A'

SECTION 'B'

DECK SLOPES TO DRAIN			
LOCATION	X%	Y%	Z%
WEST ABUT.	4.05	2.19	1.25
PIER 8	2.6	5.80	5.80
PIER 3	2.95	5.80	5.80
EAST ABUT.	3.38	3.55	3.00



SECTION 'C'

SECTION 'D'

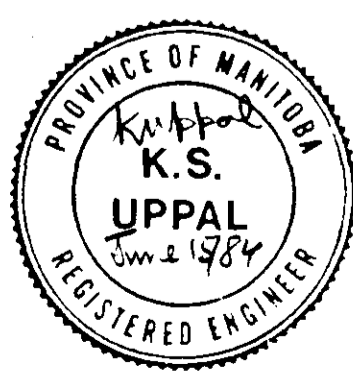
- NOTES:**
- DECK DRAINS SHALL BE FABRICATED FROM STEEL CONFORMING TO THE REQUIREMENTS OF CSA STANDARD G40.21M, GRADE 300W.
 - DECK DRAINS AND CONNECTORS SHALL BE HOT DIP GALVANIZED IN ACCORDANCE WITH CSA STANDARD G64 TO A RETENTION OF 600 gm/m². ALL GALVANIZING TO BE DONE AFTER FABRICATION.
 - SHOP DRAWINGS CONSISTING OF THREE (3) SETS OF PRINTS AND ONE (1) SET OF REPRODUCIBLE SEPIAS SHALL BE SUBMITTED TO THE ENGINEER FOR APPROVAL AT LEAST TEN (10) WORKING DAYS PRIOR TO FABRICATION.
 - ALL FASTENERS, WASHERS, NUTS AND INSERTS SHALL BE STAINLESS STEEL.

B-5583
METRIC

RECORD DRAWING

WHOLE NUMBERS INDICATE MILLIMETRES
DECIMALIZED NUMBERS INDICATE METRES

NO	REVISIONS	DATE	APP
1	RECORD DRAWING	NOV.86	



the uma group
Underwood McLellan Ltd.
Consulting Engineers and Planners

DESIGNED BY: K.U. DRAWN BY: J.D.
CHECKED BY: J.T. DATE: APRIL 1985
JOB No. 0265-216-01

APPROVED BY: *[Signature]* DATE: *June 15/84*

THE CITY OF WINNIPEG
WORKS & OPERATIONS DIVISION
STREETS & TRANSPORTATION DEPARTMENT

NAIRN AVENUE OVERPASS
DECK REHABILITATION, STRUCTURAL STRENGTHENING AND RELATED WORKS

DECK DRAIN DETAILS

AUTHORIZED BY: *[Signature]* DATE: 1985-04-16
ACCEPTED BY: *[Signature]* DATE: 1985-04-16

SCALE: 1 : 150 DRAWING NO. B121-85-17