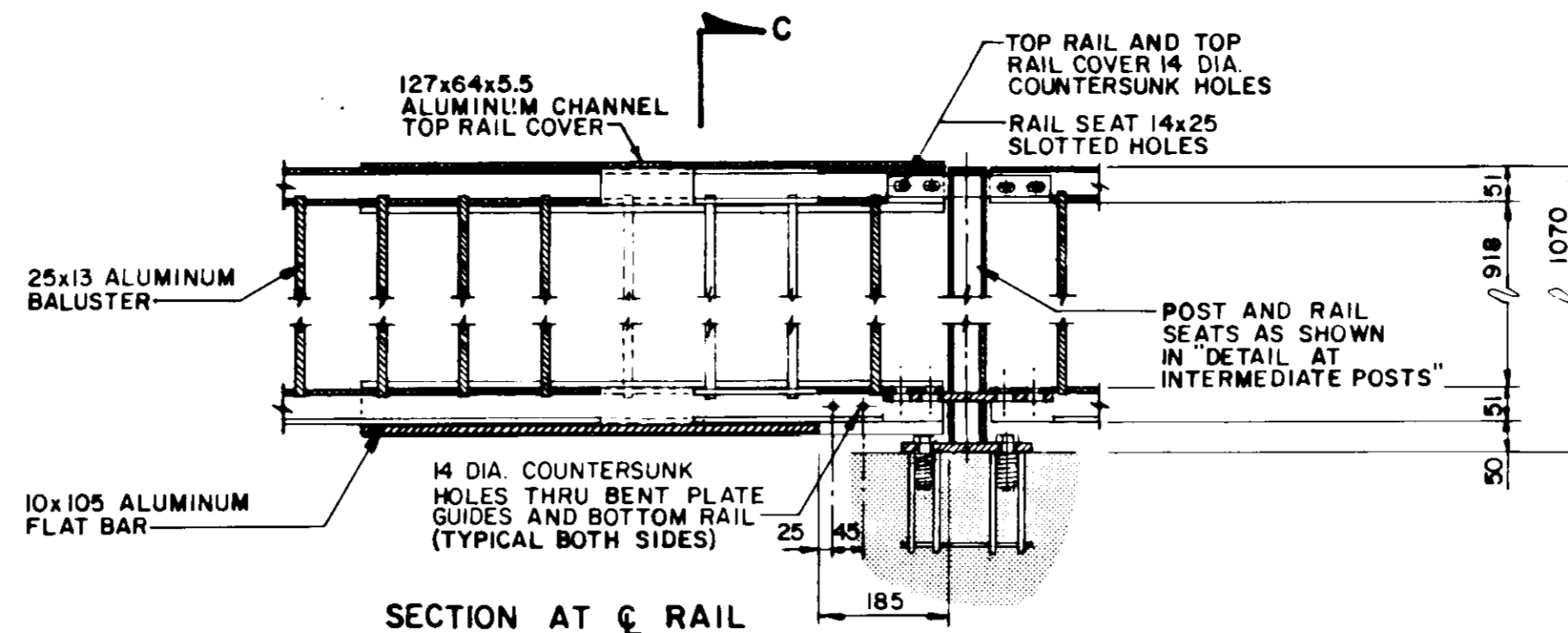
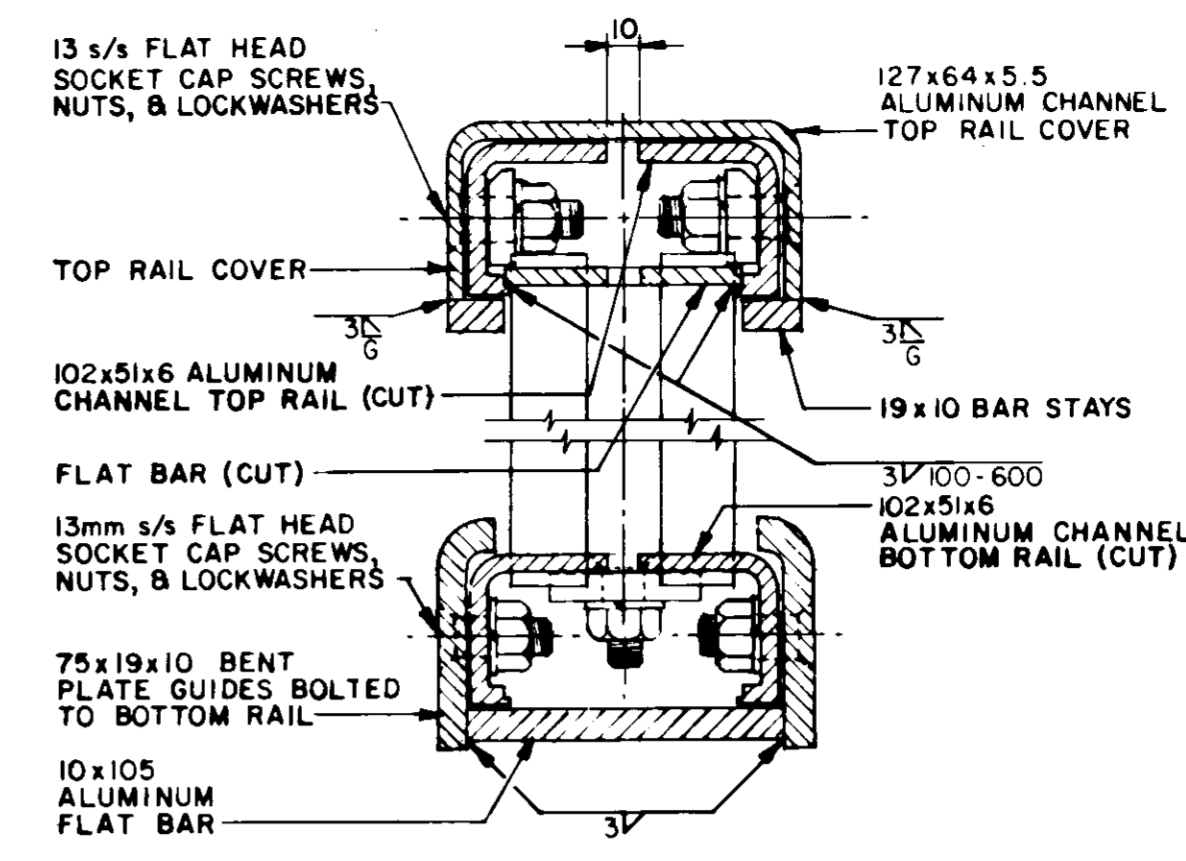


PLAN



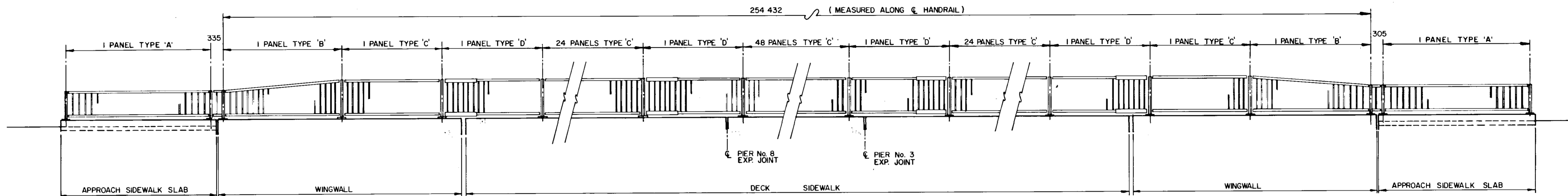
SECTION AT C RAIL
EXPANSION SLEEVE DETAIL
FOR PANEL TYPE 'D'
SCALE = 1:10



SECTION C
SCALE = 1:2.5

WEST

EAST



ELEVATION
N.T.S.

PANEL DATA						
PANEL TYPE	No. REQ'D	①	②	③	④	⑤
'A'	2	3 250	3 190	27	111	96.5
'B'	2	2 776	2 716	23	110	93
'C'	98	2 440	2 380	20	110	90
'D'	4	2 440	2 380	15	110	90

NOTES
- THIS DRAWING TO BE READ IN CONJUNCTION WITH
DRAWING No. B121-85-14

NOTE: * FOR LOCATION OF DIMENSIONS INDICATED THUS: ① SEE THIS DRAWING AND DWG. B121-85-14

B-5581

METRIC

RECORD DRAWING

WHOLE NUMBERS INDICATE MILLIMETRES
DECIMALIZED NUMBERS INDICATE METRES

	the uma group Underwood McLellan Ltd. Consulting Engineers and Planners	THE CITY OF WINNIPEG WORKS & OPERATIONS DIVISION STREETS & TRANSPORTATION DEPARTMENT	NAIRN AVENUE OVERPASS DECK REHABILITATION, STRUCTURAL STRENGTHENING AND RELATED WORKS ALUMINUM PEDESTRIAN HANDRAILS - II	
	DESIGNED BY: K.U. CHECKED BY: J.T. APPROVED BY: <i>[Signature]</i>	DRAWN BY: B.A. DATE: APRIL 1985 JOB No. 0265-216-01 DATE: <i>June 15, 1984</i>	AUTHORIZED BY: <i>[Signature]</i> 1985-04-16 ACCEPTED BY: <i>[Signature]</i> 1985-04-16 SCALE: AS NOTED DRAWING NO. B121-85-15	
	RECORD DRAWING NOV. 86 REVISIONS DATE APP			