

**STANDBY MATERIALS TO BE SUPPLIED TO THE CITY**

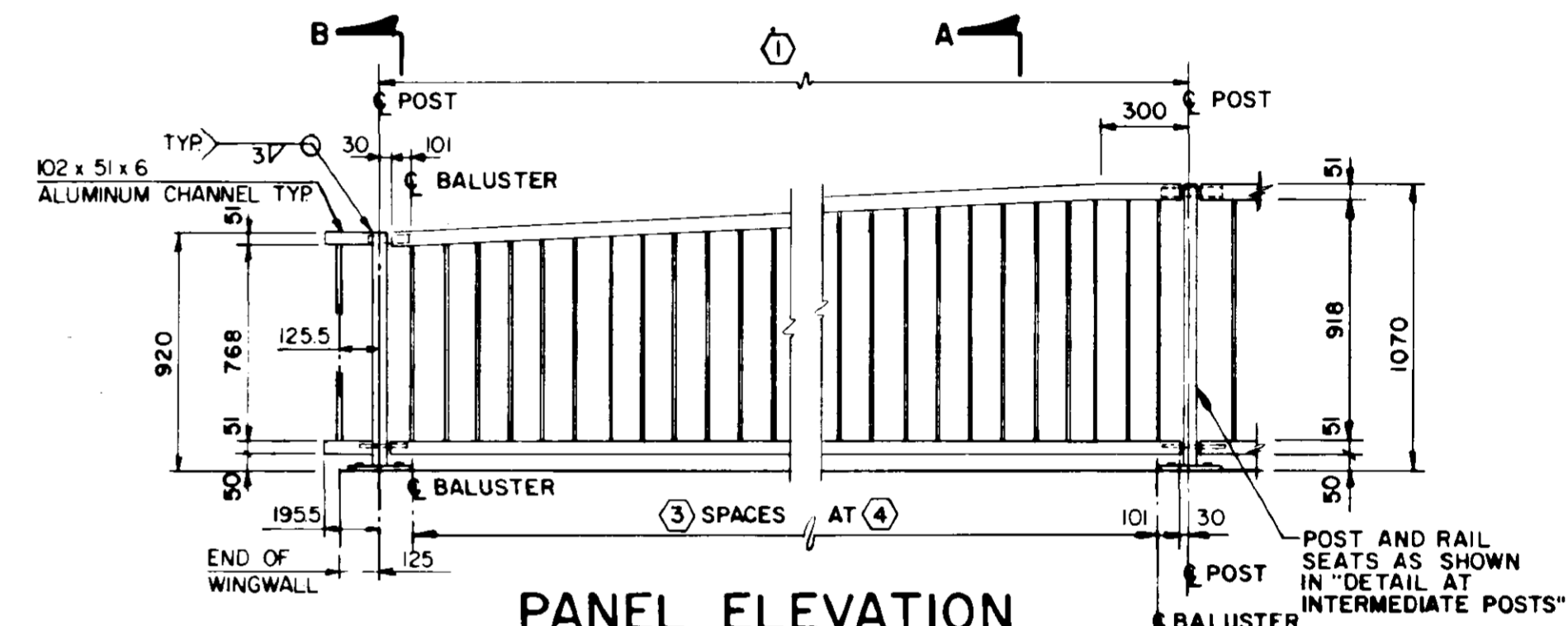
ITEM	QUANTITY	DESCRIPTION
1	50	19x76 HI-TENSILE s/s ANCHOR BOLTS c/w s/s LOCK WASHERS
2	100	13 s/s FLAT HEAD SOCKET CAP SCREW c/w s/s NUTS & WASHERS
3	20	EACH OF 1.5, 3.0 & 6.0 THICK ALUMINUM PEDESTRAIN HANDRAIL POST SHIMS
4	1 SET	ALL COMPONENTS ASSEMBLED FOR ONE COMPLETE HANDRAIL SECTION, PANEL 'C', INCLUDING TWO POSTS

**PANEL ELEVATION**  
FOR PANEL TYPES 'A', 'C', & 'D'  
SCALE = N.T.S.

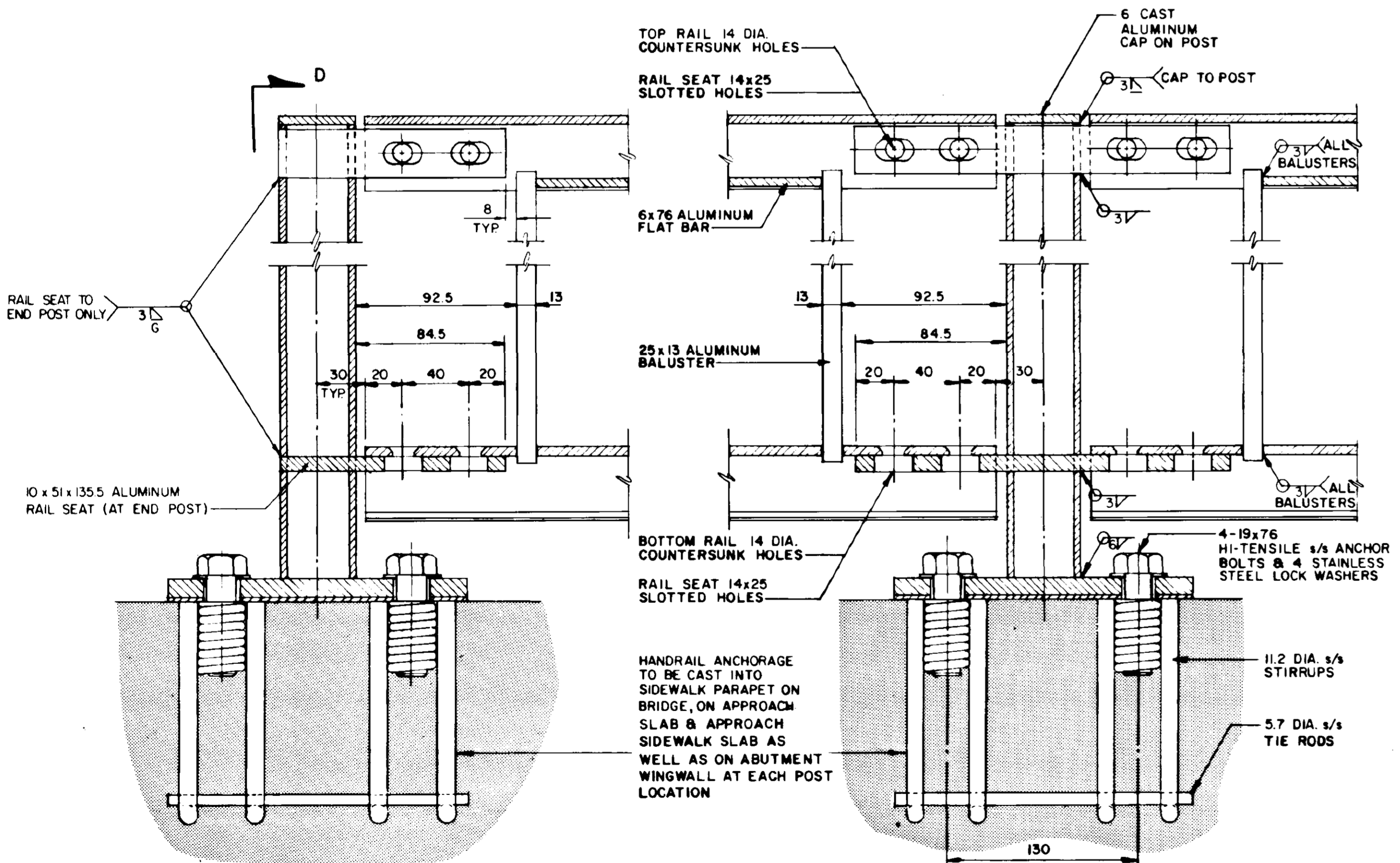
**SECTION A**  
SCALE = 1:10

**NOTES:**

- THIS DRAWING TO BE READ IN CONJUNCTION WITH DRAWING NO. B121-85-15 AND THE SPECIAL PROVISIONS.
- THE UNDERSIDE OF THE POST SHIM SHALL BE PAINTED WITH ALKALI RESISTANT BITUMINOUS PAINT MEETING THE REQUIREMENTS OF CGSB 31.GP.3M.
- HANDRAIL ANCHORAGE SHALL BE s/s ACROW-RICHMOND TYPE.
- ALL CHANNELS, POSTS, & BARS SHALL BE SUPPLIED IN ACCORDANCE WITH C.S.A. SPECIFICATION HA.5. GS11R-T4. CASTINGS FOR END CAPS SHALL BE IN ACCORDANCE WITH C.S.A. SPECIFICATION HA.9 G170-T6.
- THE M.I.G. PROCESS OF WELDING SHALL BE USED.
- RAIL POSTS SHALL BE SET VERTICAL.
- ALL SLOTTED HOLES MUST BE FINISHED SMOOTH & TRUE.
- s/s DENOTES STAINLESS STEEL.
- THE CONTRACTOR SHALL SUBMIT COMPLETE PEDESTRIAN HANDRAIL SHOP DRAWINGS CONSISTING OF THREE PRINTS AND ONE REPRODUCIBLE SEP1A TO THE ENGINEER FOR APPROVAL PRIOR TO FABRICATION.

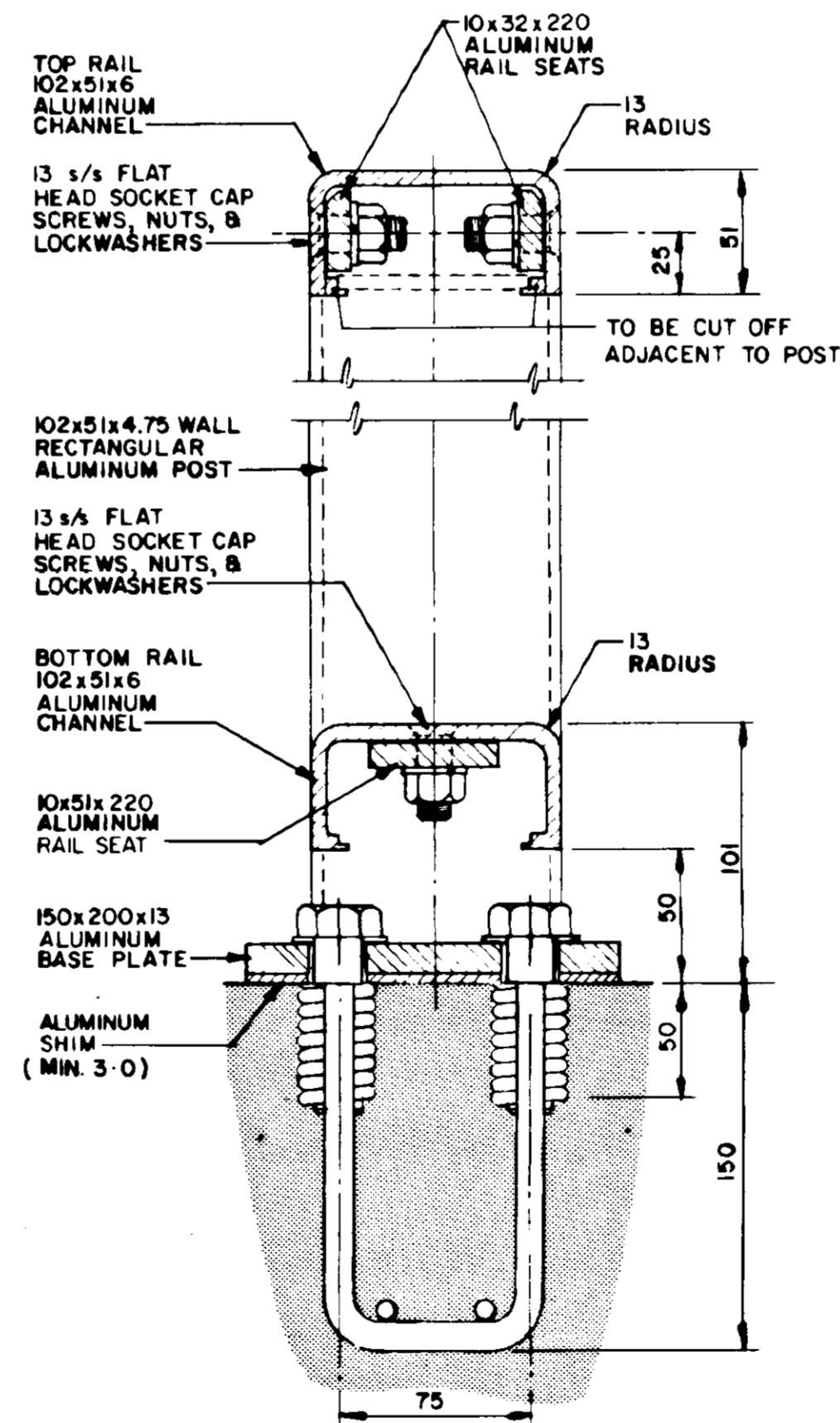


**PANEL ELEVATION**  
FOR PANEL TYPE 'B'  
SCALE = N.T.S.

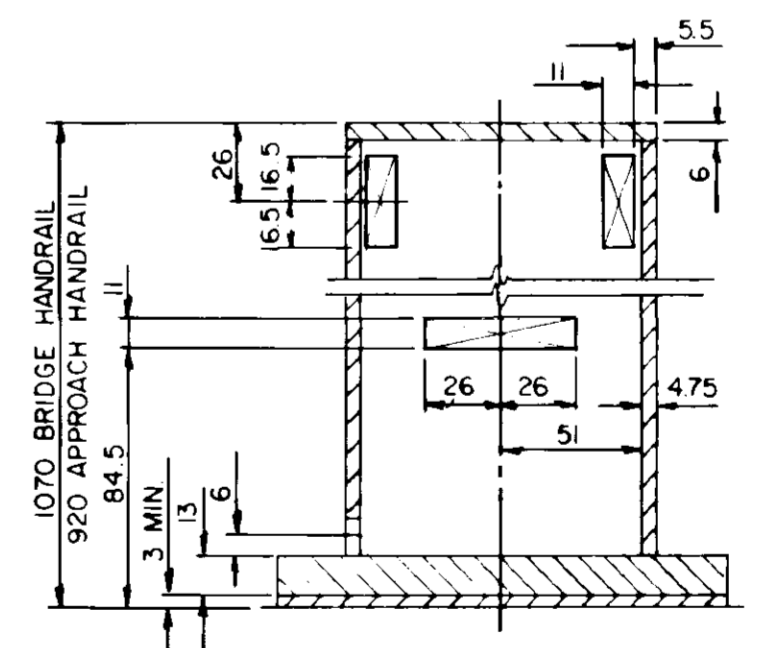


**DETAIL AT END POSTS**  
SCALE = 1:2.5

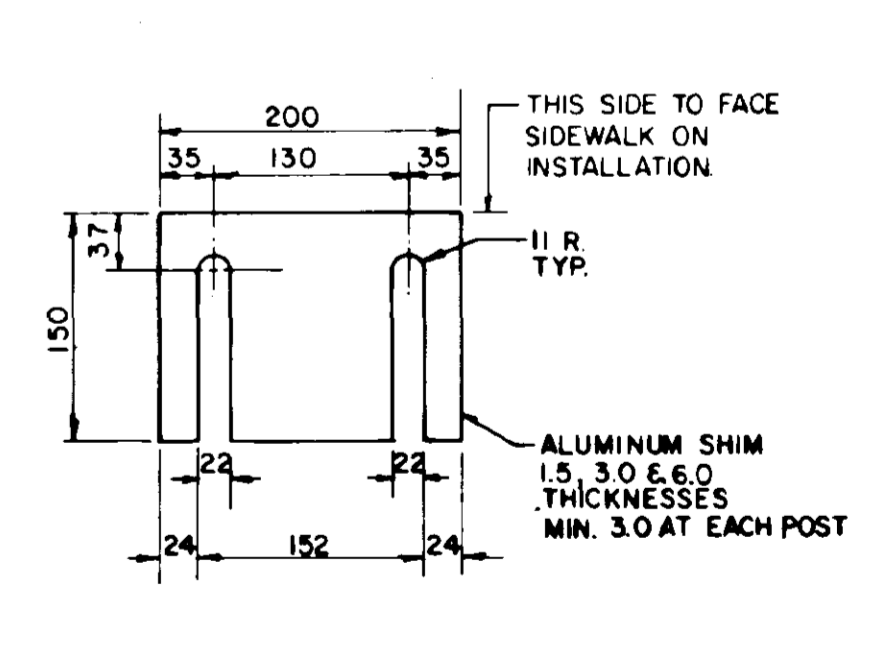
**DETAIL AT INTERMEDIATE POSTS**  
SCALE = 1:2.5



**SECTION B**  
SCALE = 1:2.5



**SECTION D**  
(SLOTS IN POST FOR RAIL SEATS)  
SCALE = 1:2.5



**PEDESTRIAN POST SHIM**  
SCALE = 1:5

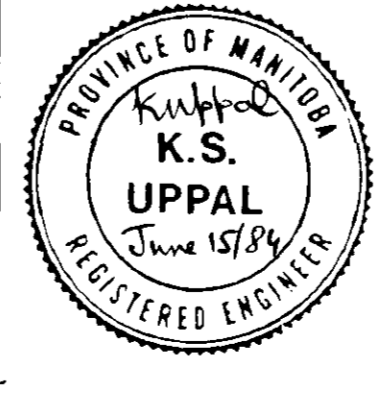
**RECORD DRAWING**

**B-5580**

**METRIC**

WHOLE NUMBERS INDICATE MILLIMETRES  
DECIMALIZED NUMBERS INDICATE METRES

NO	REVISIONS	DATE	APP
1	RECORD DRAWING	NOV. 86	



the <b>uma</b> group		Underwood McLellan Ltd. Consulting Engineers and Planners	
DESIGNED BY:	K.U.	DRAWN BY:	B.A.
CHECKED BY:	J.T.	DATE:	APRIL 1985
APPROVED BY:	<i>[Signature]</i>	JOB No.:	0265-216-01

**THE CITY OF WINNIPEG**  
WORKS & OPERATIONS DIVISION  
STREETS & TRANSPORTATION DEPARTMENT

<b>NAIN AVENUE OVERPASS</b> DECK REHABILITATION, STRUCTURAL STRENGTHENING AND RELATED WORKS	
ALUMINUM PEDESTRIAN HANDRAILS - I	
AUTHORIZED BY:	<i>[Signature]</i> 1985-04-16
ACCEPTED BY:	<i>[Signature]</i> 1985-04-16
SCALE AS NOTED	DRAWING NO B121-85-14