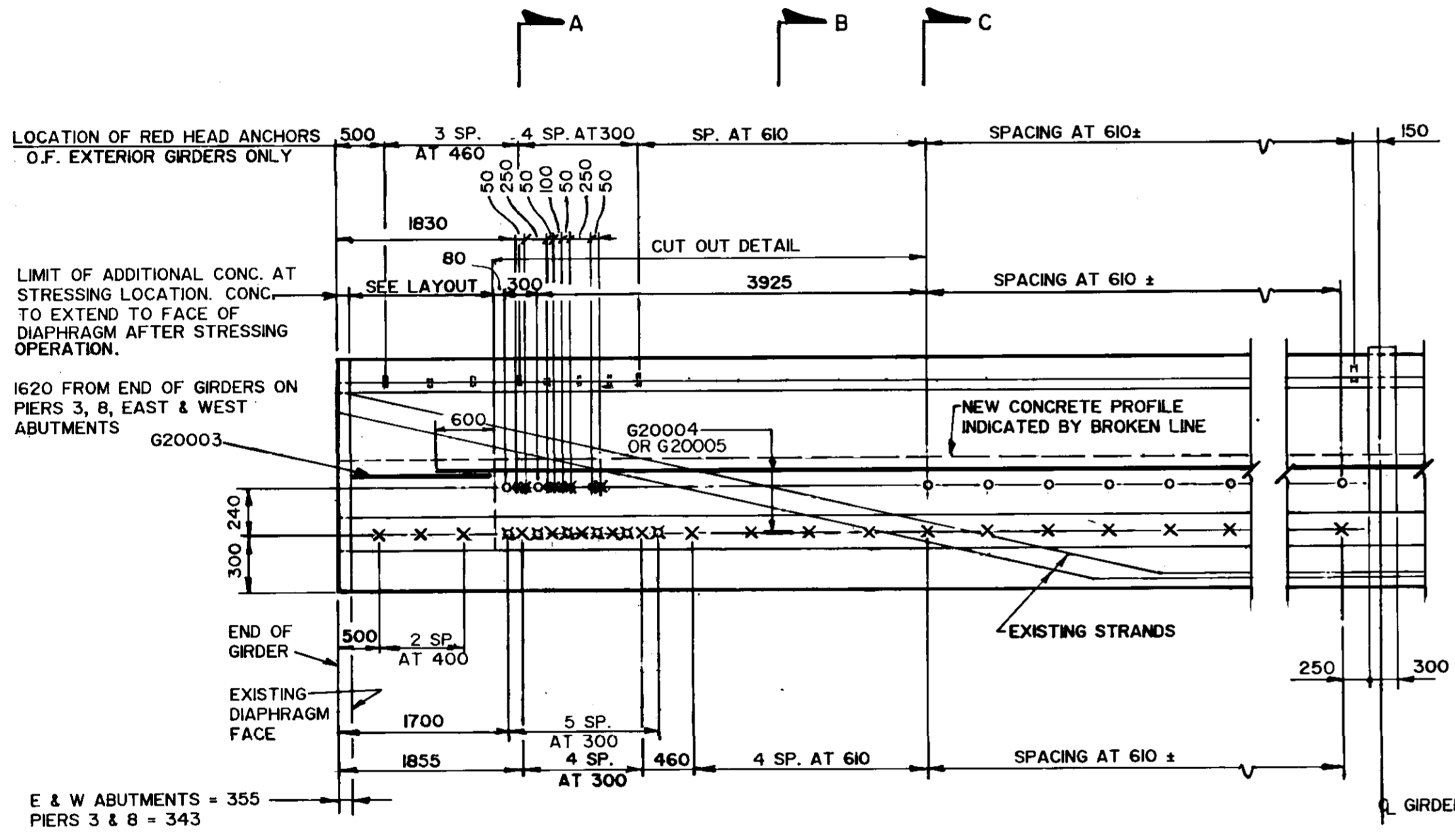
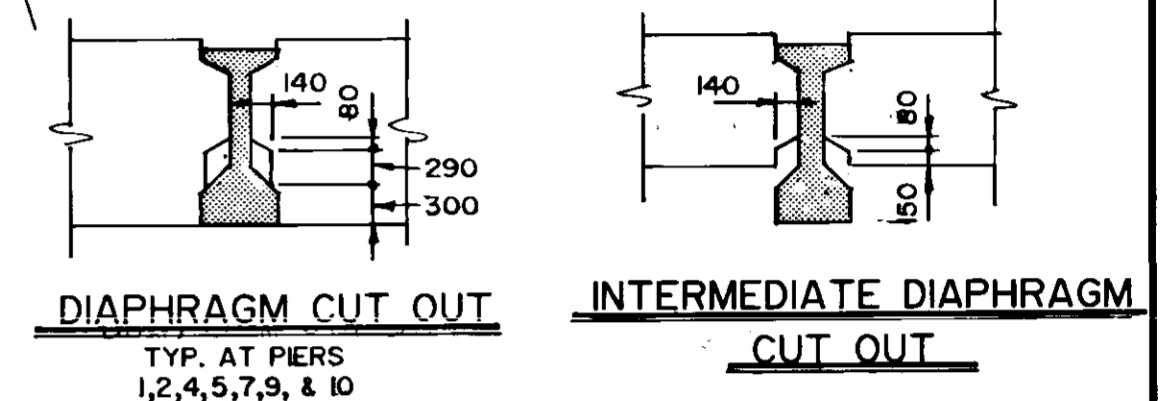
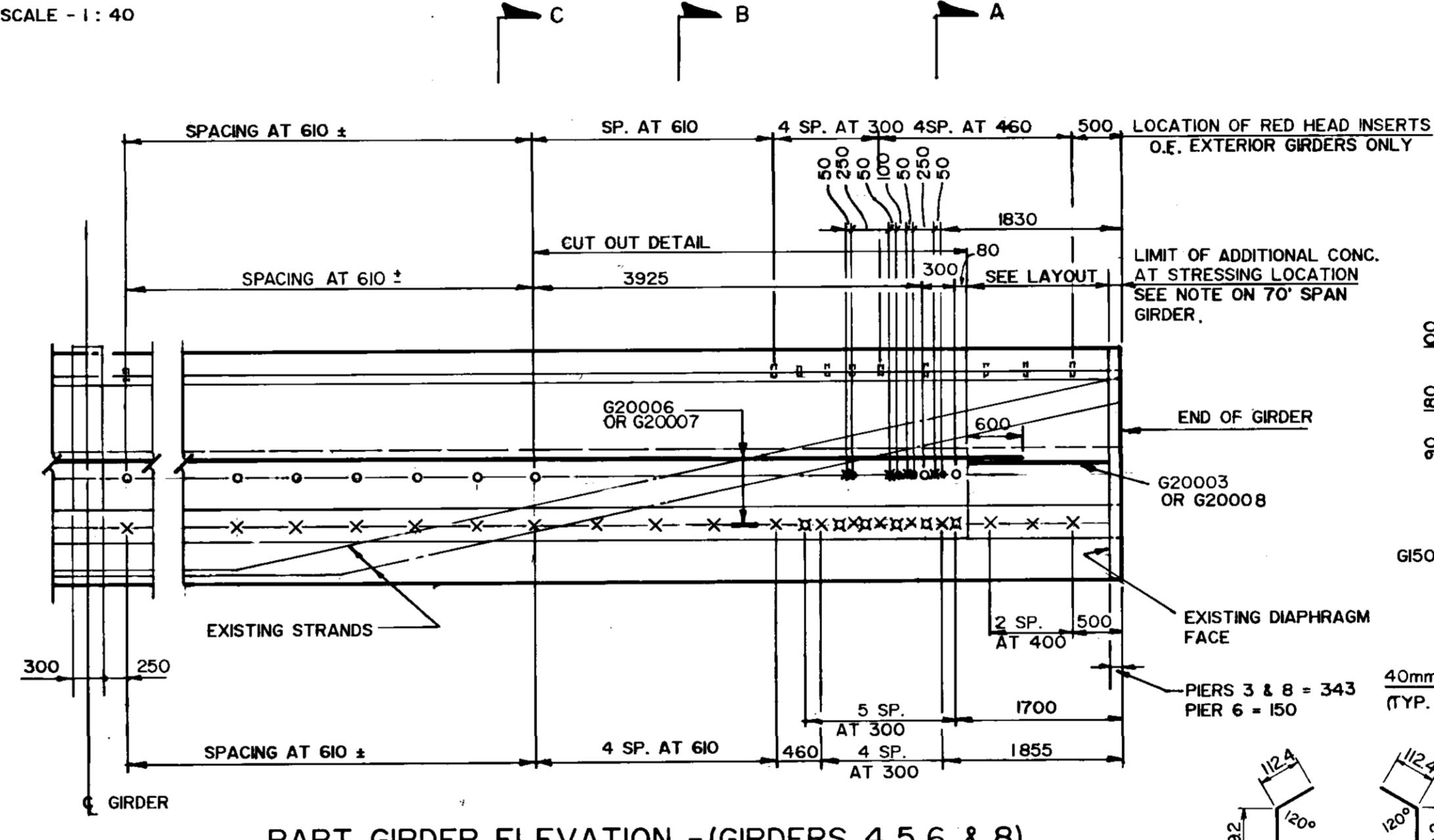


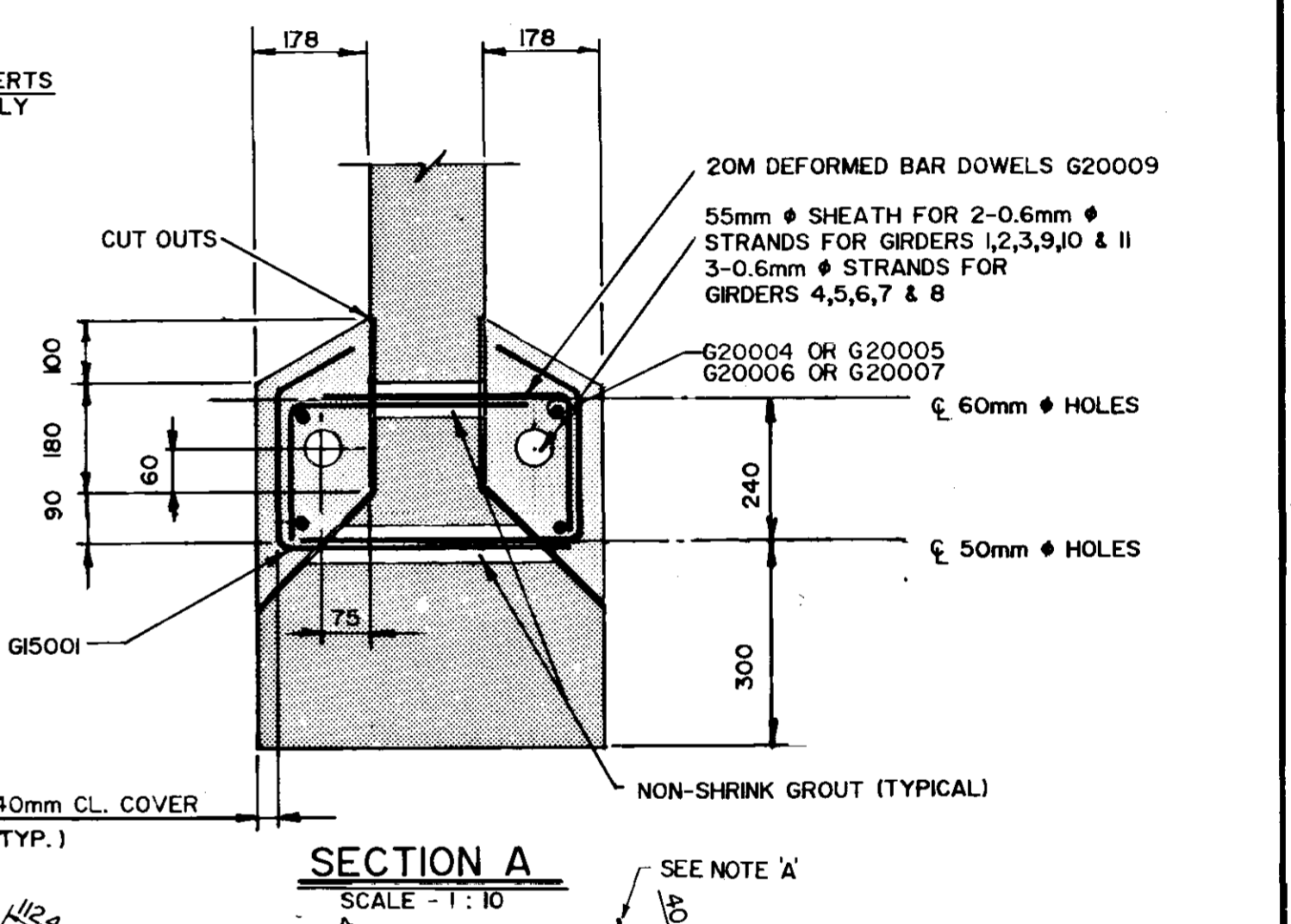
- LEGEND**
- — 60mm DIA. HOLES
 - ✕ — 50mm DIA. HOLES
 - — "RED HEAD" SELF-DRILL INSERTS NORTH FACE ϕ/w 15 ϕ x 150 LONG STEEL BOLTS
 - — "RED HEAD" SELF-DRILL INSERTS SOUTH FACE ϕ/w 15 ϕ x 150 LONG STEEL BOLTS
 - ✕ — "RED HEAD" SELF-DRILL INSERTS NORTH & SOUTH FACE



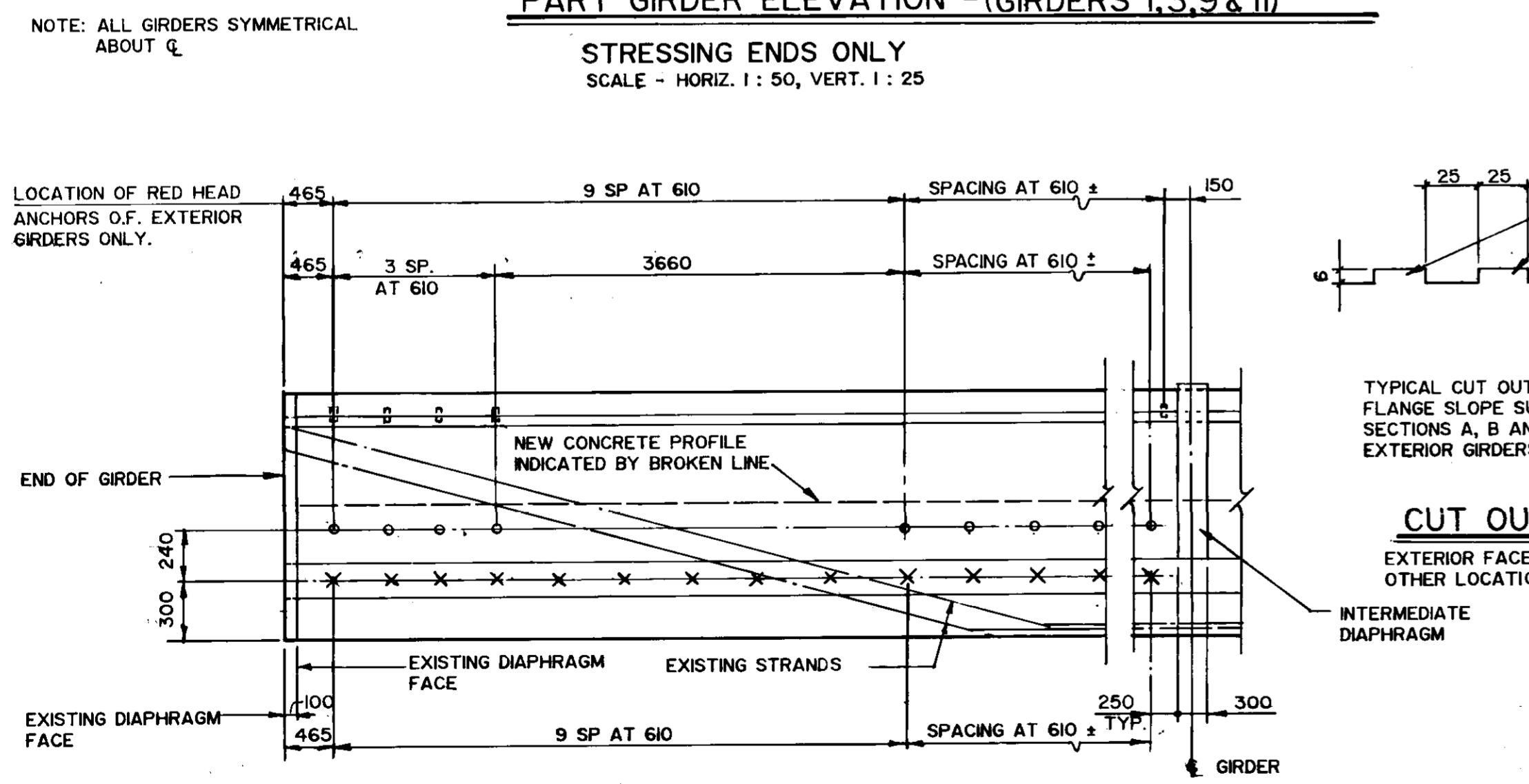
PART GIRDER ELEVATION - (GIRDERS 1,3,9 & 11)
STRESSING ENDS ONLY
SCALE - HORIZ. 1: 50, VERT. 1: 25



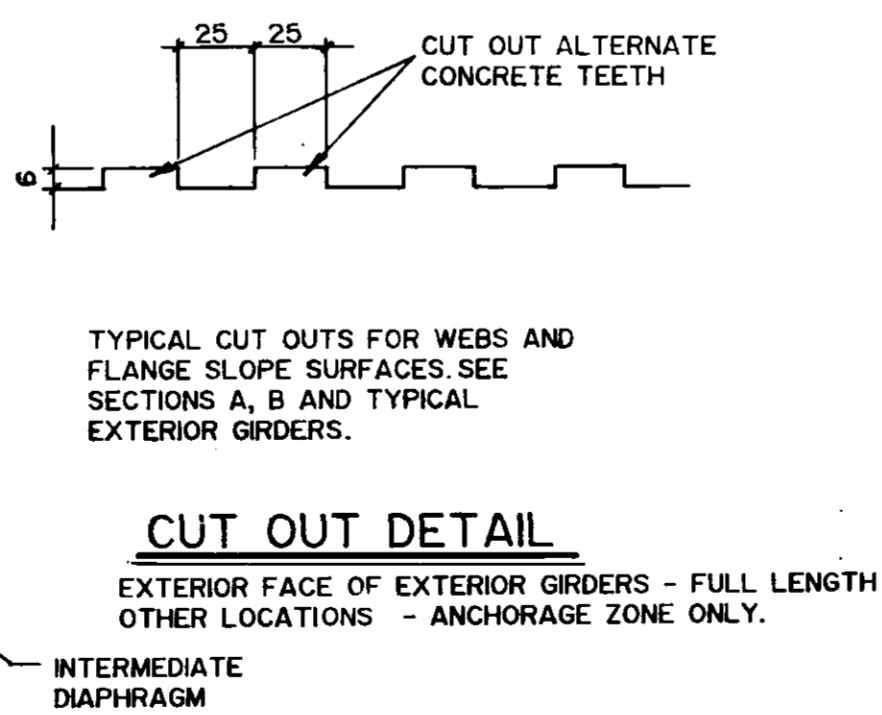
PART GIRDER ELEVATION - (GIRDERS 4,5,6, & 8)
STRESSING ENDS ONLY
SCALE - HORIZ. 1: 50, VERT. 1: 25



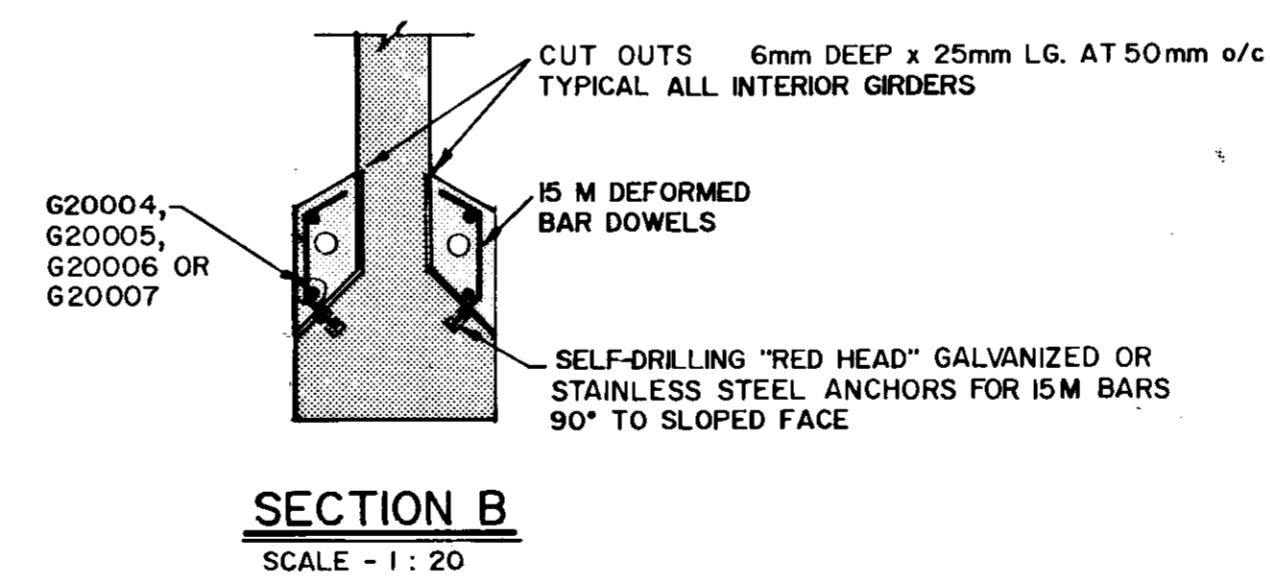
SECTION A
SCALE - 1: 10



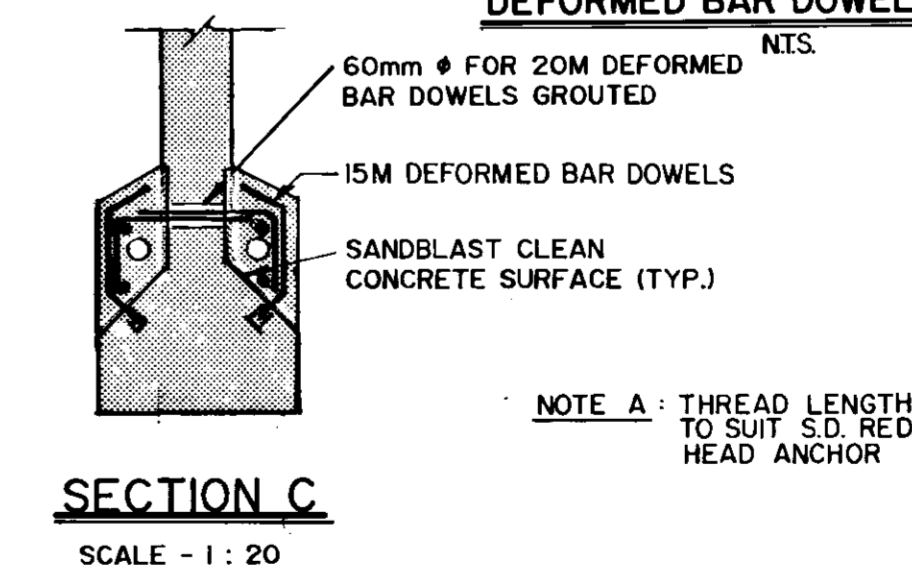
PART GIRDER ELEVATION (NON-STRESSING END)
TYPICAL
SCALE - HOR. 1: 50, VERT. 1: 25



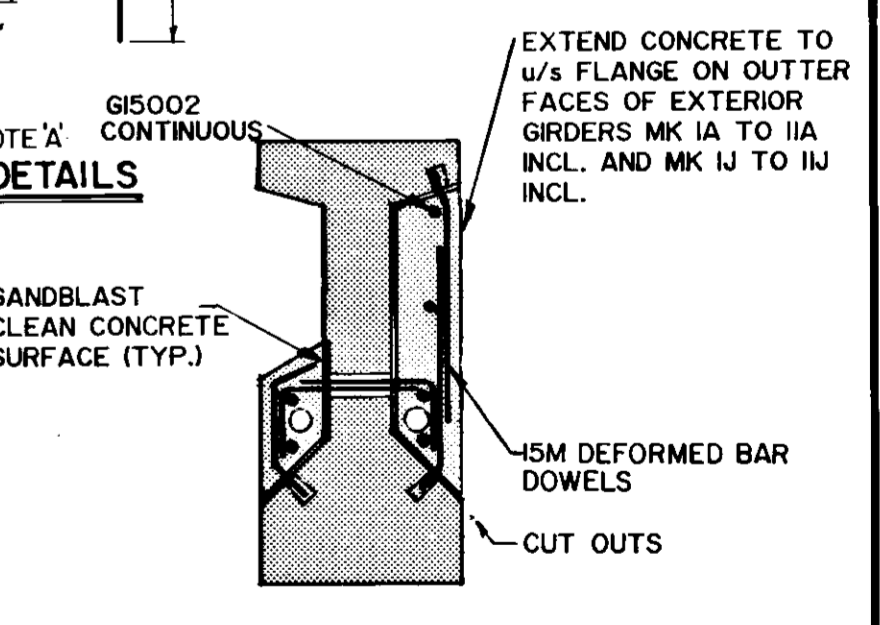
CUT OUT DETAIL
EXTERIOR FACE OF EXTERIOR GIRDERS - FULL LENGTH ANCHORS
OTHER LOCATIONS - ANCHORAGE ZONE ONLY.



SECTION B
SCALE - 1: 20



SECTION C
SCALE - 1: 20



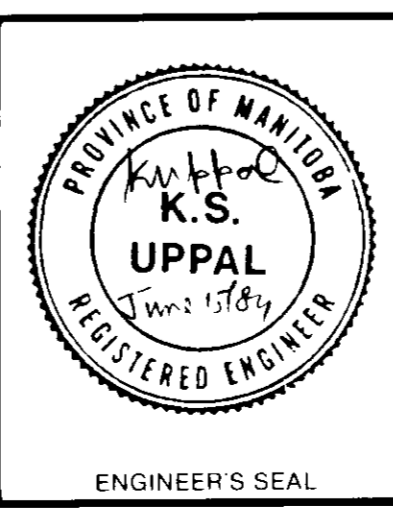
TYPICAL SECTION FOR EXTERIOR GIRDERS
B-5573
METRIC

RECORD DRAWING

THIS DRAWING TO BE READ IN CONJUNCTION WITH DWG. B121-85-08

WHOLE NUMBERS INDICATE MILLIMETRES
DECIMALIZED NUMBERS INDICATE METRES

NO.	REVISIONS	DATE	APP.
1	RECORD DRAWING	NOV. 86	[Signature]



the uma group		Underwood McLellan Ltd. Consulting Engineers and Planners	
DESIGNED BY:	G.T./K.U.	DRAWN BY:	BH
CHECKED BY:	J.T.	DATE:	APRIL 1985
APPROVED BY:	[Signature]	DATE:	June 14/84



NAIRN AVENUE OVERPASS DECK REHABILITATION, STRUCTURAL STRENGTHENING AND RELATED WORKS	
GIRDER STRENGTHENING - 1	
AUTHORIZED BY:	[Signature] DATE: 1985-04-16
ACCEPTED BY:	[Signature] DATE: 85 04 16
SCALE: AS NOTED	DRAWING NO. B121-85-07