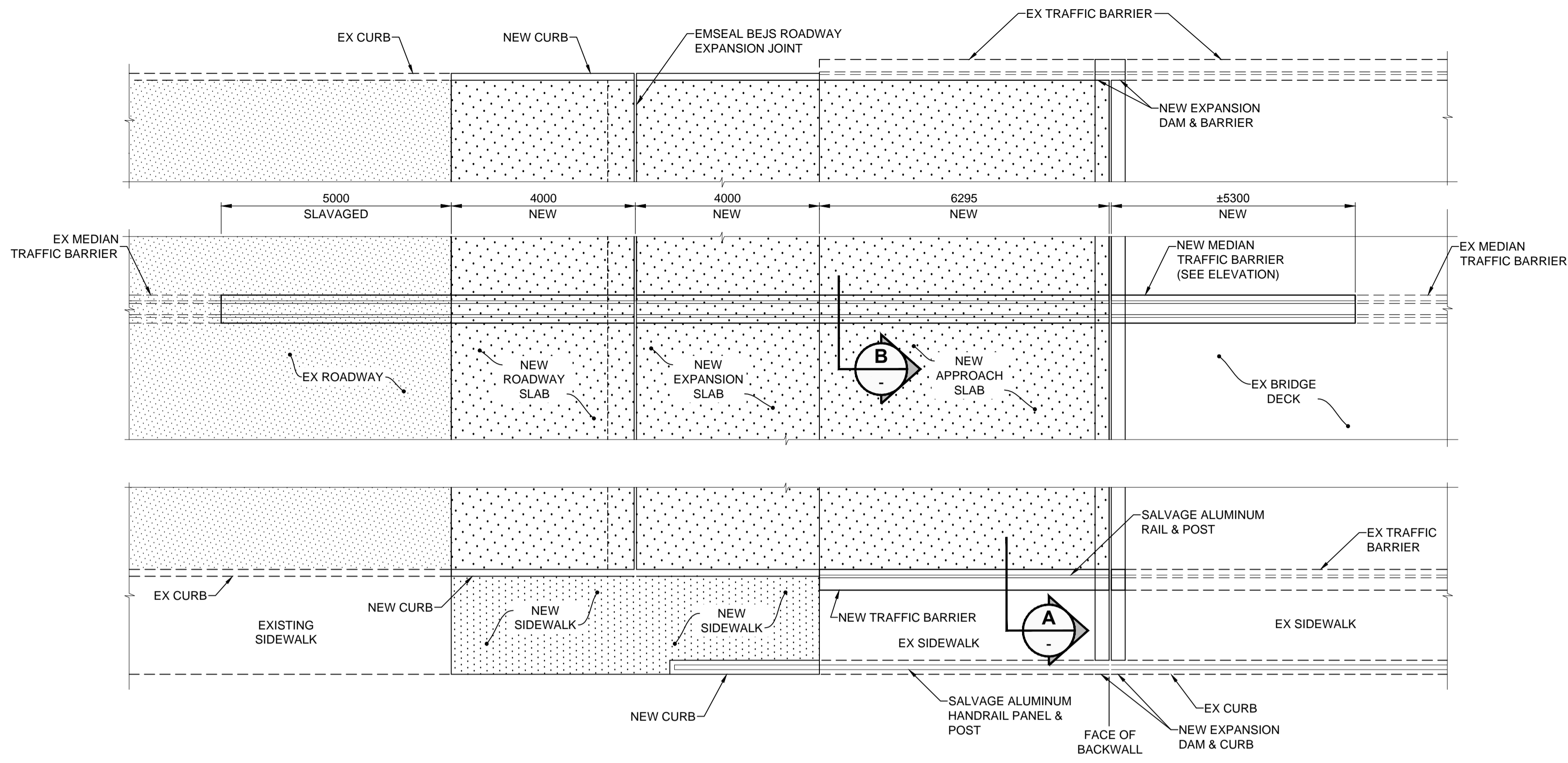
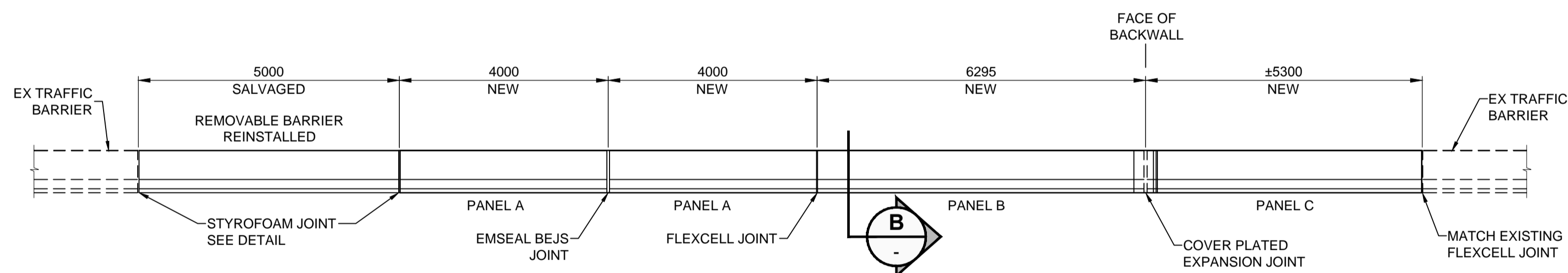


A1 SIZE 894mm x 841mm
PLOT: 37/2014 4:01:25 PM
FILE NAME: W130027-DET-06.dwg Saved By: dilane



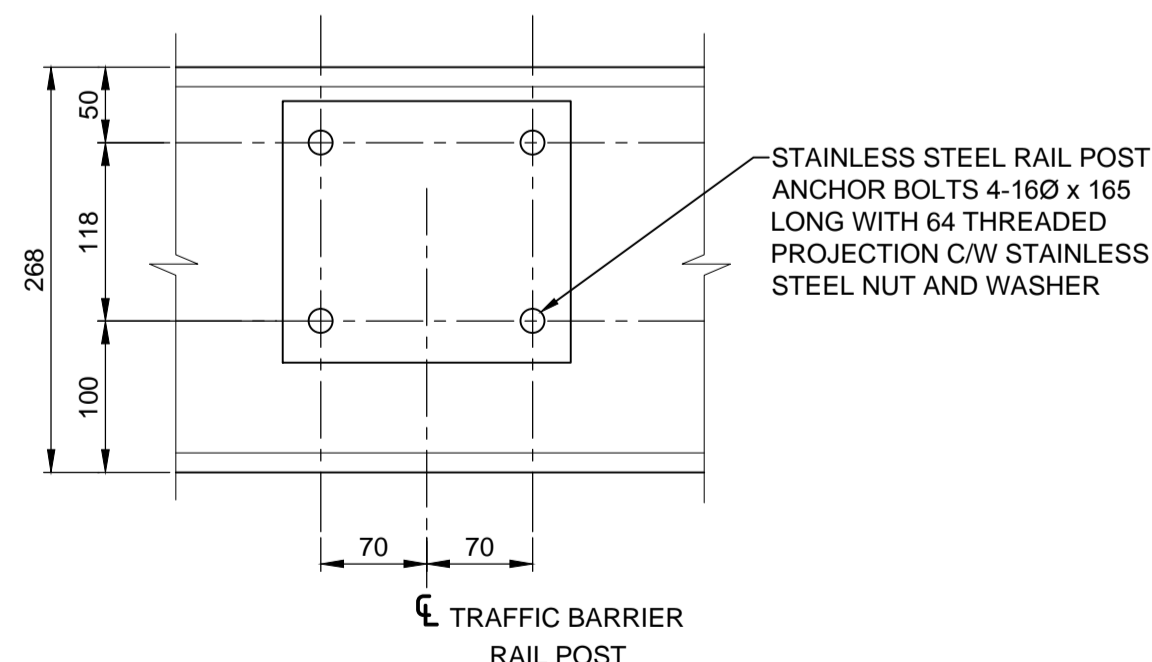
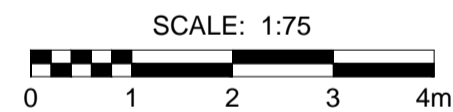
- EAST ABUTMENT SHOWN
- WEST ABUTMENT IS OPP HAND

PLAN OF BARRIER REPLACEMENT

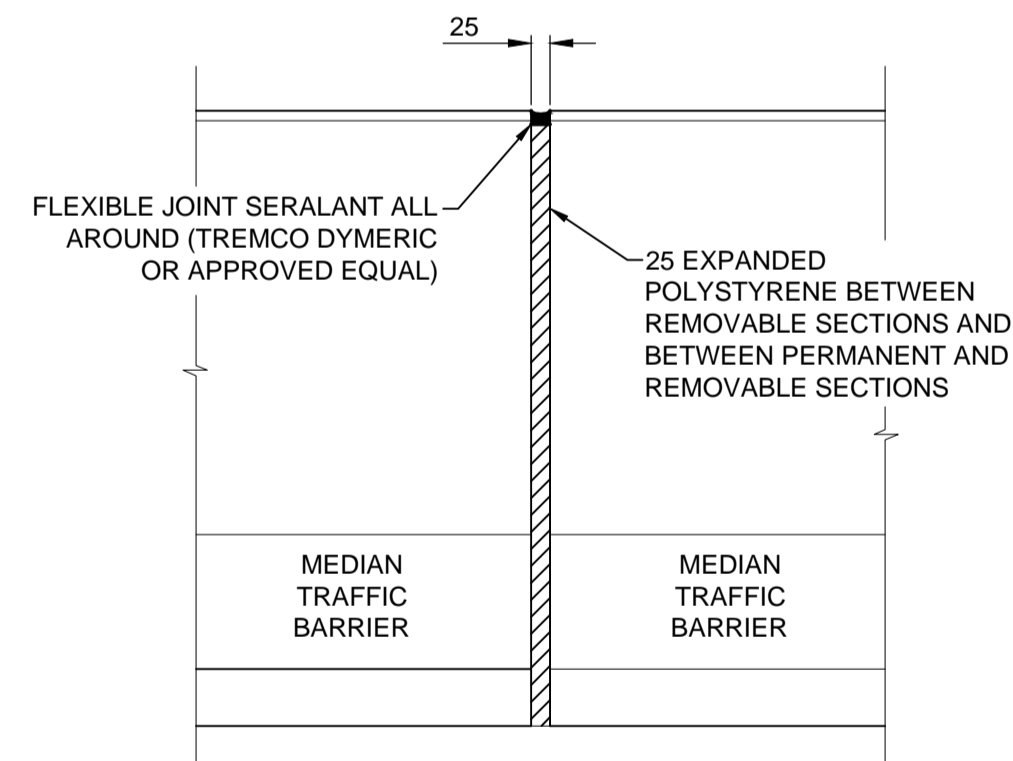
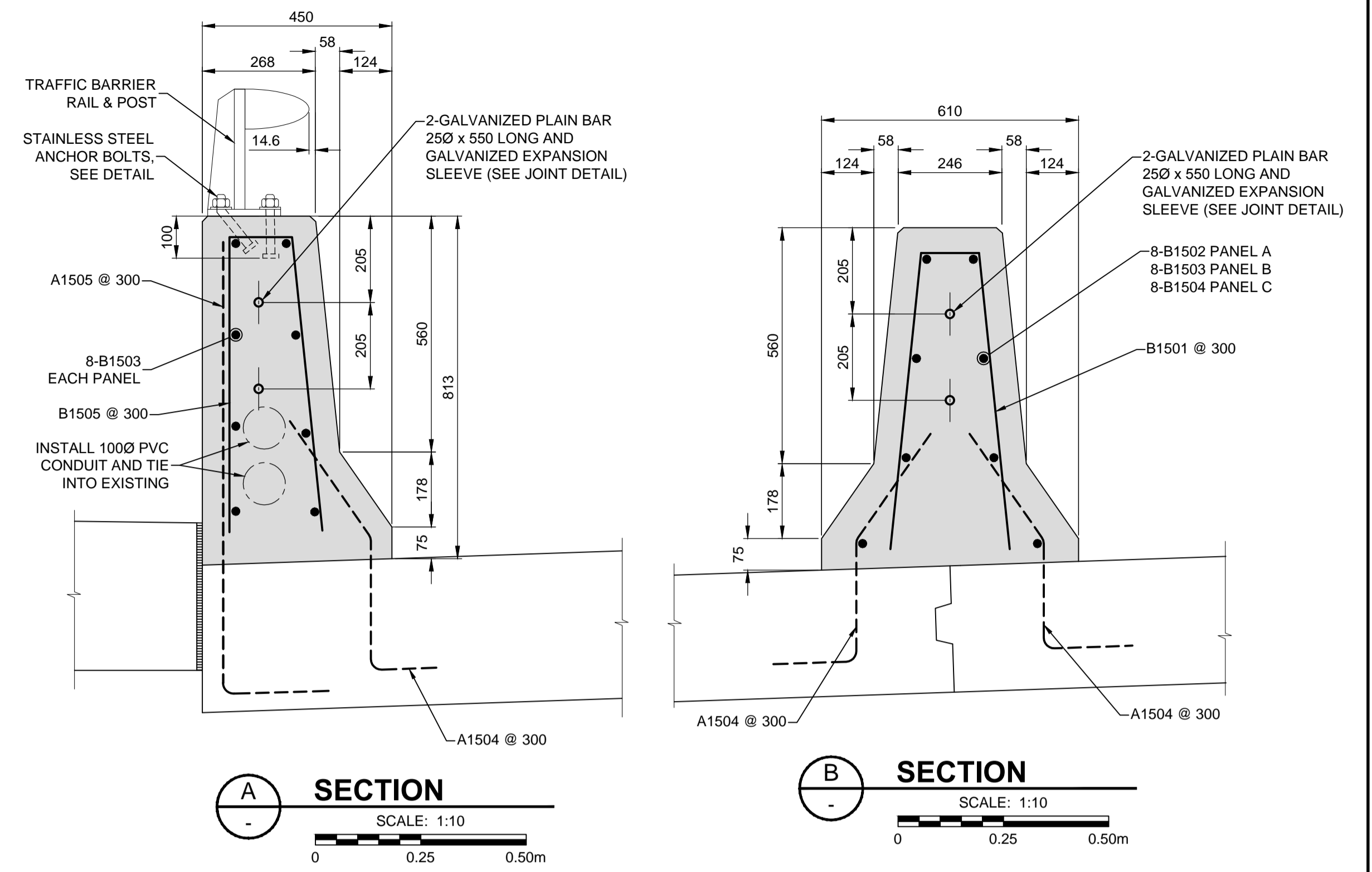
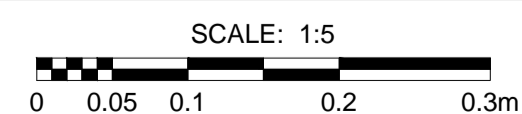


- EAST ABUTMENT SHOWN
- WEST ABUTMENT IS OPP HAND

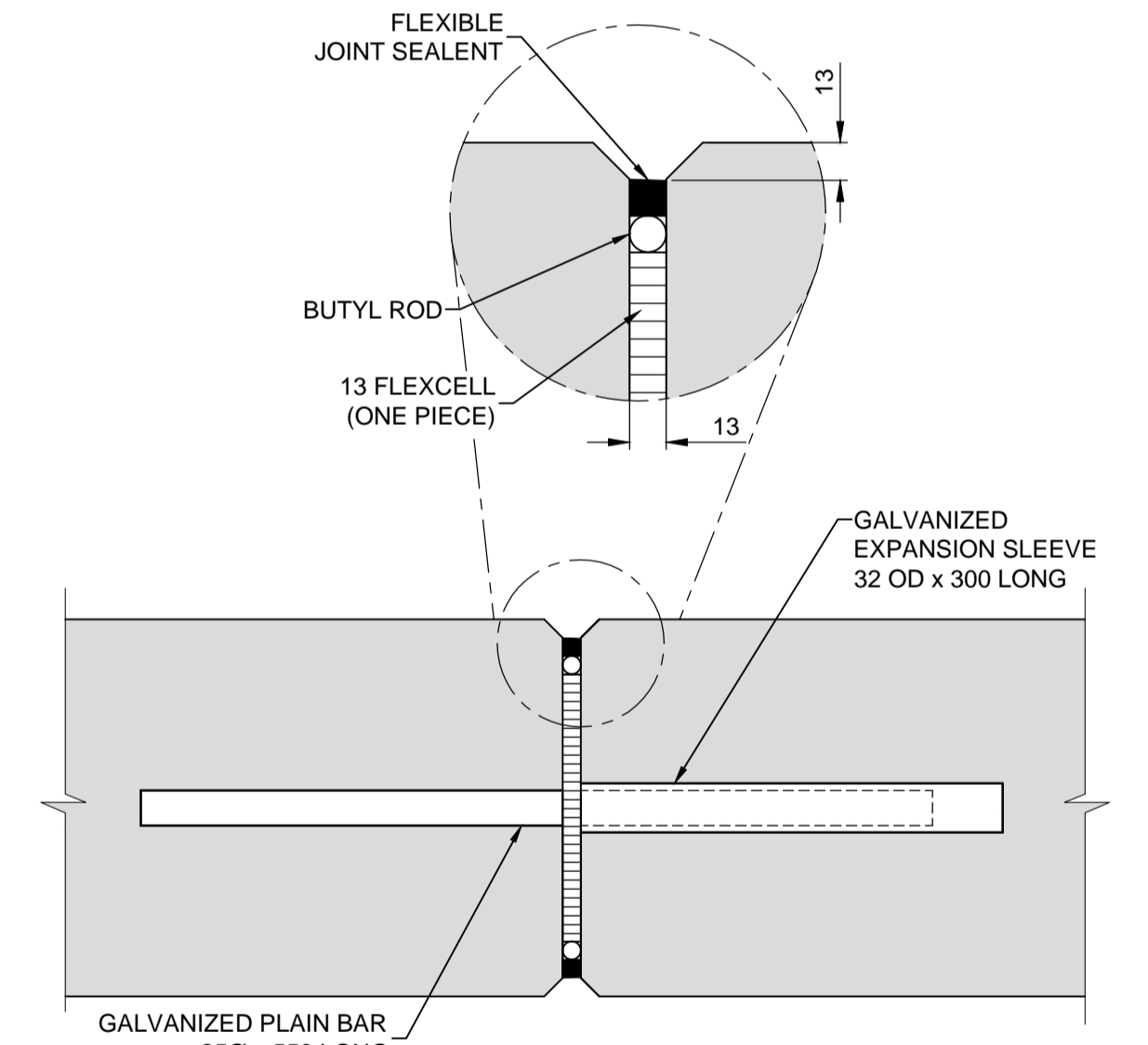
ELEVATION OF MEDIAN BARRIER



TRAFFIC BARRIER RAIL POST LOCATION DETAIL & ANCHOR BOLT LAYOUT



STYROFOAM JOINT DETAIL



FLEXCELL JOINT DETAIL

- NOTE:**
- CONTRACTOR TO REFER TO REFERENCE DRAWINGS FOR DETAILS OF EXISTING CONSTRUCTION.

LOCATION APPROVED UNDERGROUND STRUCTURES

SUPR. U/G STRUCTURES COMMITTEE DATE
NOTE: LOCATION OF UNDERGROUND STRUCTURES AS SHOWN ARE BASED ON THE BEST INFORMATION AVAILABLE BUT NO GUARANTEE IS GIVEN THAT ALL EXISTING UTILITIES ARE SHOWN OR THAT THE GIVEN LOCATIONS ARE EXACT. CONFIRMATION OF EXISTENCE AND EXACT LOCATION OF ALL SERVICES MUST BE OBTAINED FROM THE INDIVIDUAL UTILITIES BEFORE PROCEEDING WITH CONSTRUCTION.

| | | | |
|---------|-------------------|----------|----|
| BM ELEV | | | |
| 0 | ISSUED FOR TENDER | 14/03/07 | BE |
| No. | REVISIONS | YYMMDD | BY |

| | |
|----------------------------|----------|
| MORRISON HERSHFIELD | |
| DESIGNED BY | BE |
| CHECKED BY | BE, KEL |
| DRAWN BY | DML |
| APPROVED BY | BWB |
| HOR. SCALE | AS SHOWN |
| VERT. SCALE | AS SHOWN |
| DATE | 14/02/28 |
| RELEASED FOR CONSTRUCTION | |

PROFESSIONAL'S SEAL
ORIGINAL DRAWING REV No. 0
SEALED BY:
B. EBENSPIANGER
MAR 7, 2014
CONSULTANT DRAWING No.
W130027-DET-06.dwg

THE CITY OF WINNIPEG
PUBLIC WORKS DEPARTMENT
ENGINEERING DIVISION

Winnipeg

NAIRN AVENUE OVERPASS MAINTENANCE WORKS

TRAFFIC BARRIER REPLACEMENT

CITY DRAWING NUMBER B121-14-10
SHEET 10 OF 11
DRAWING No. 10 REV 0

BID OPPORTUNITY No. 1051-2013