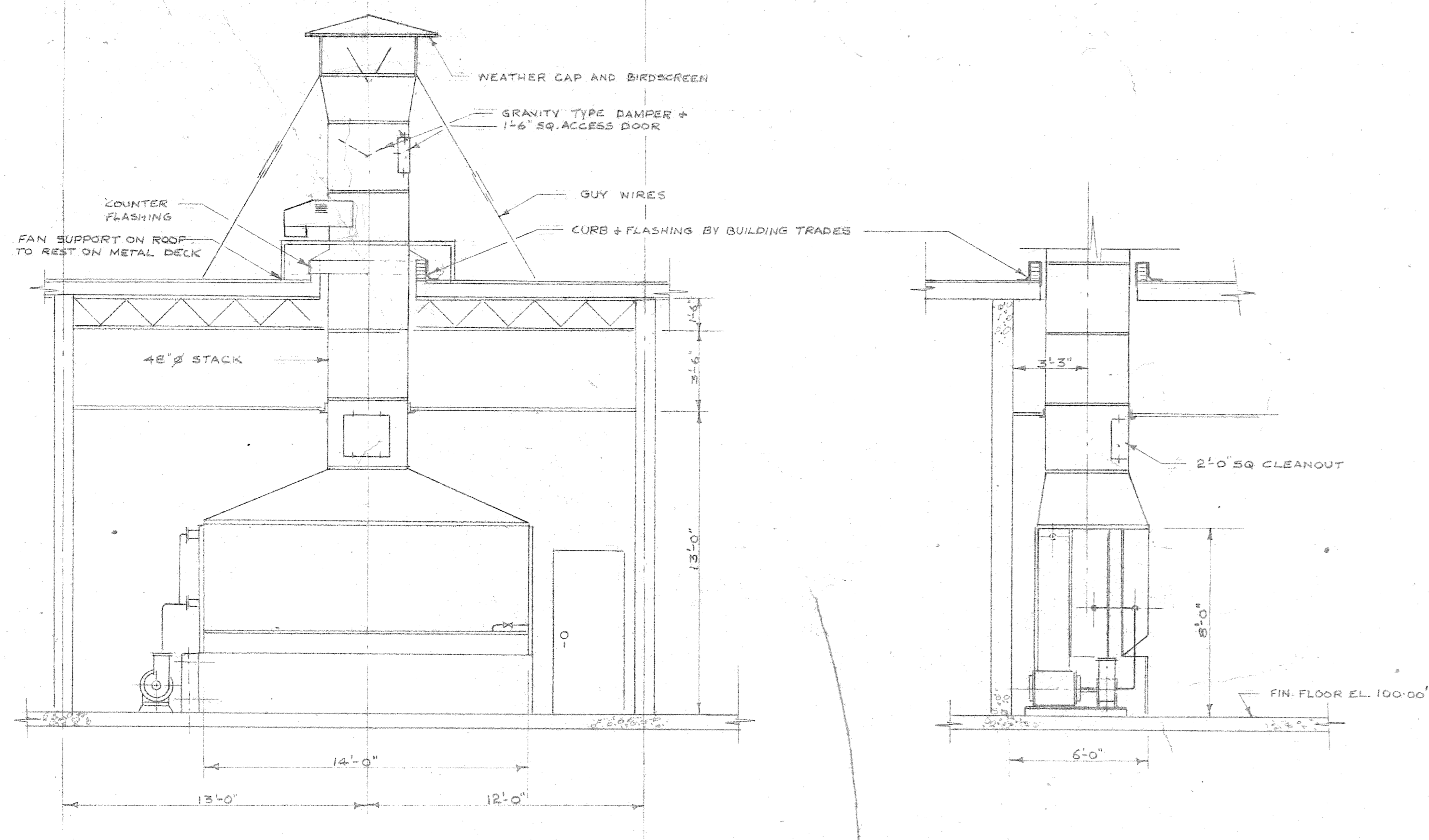
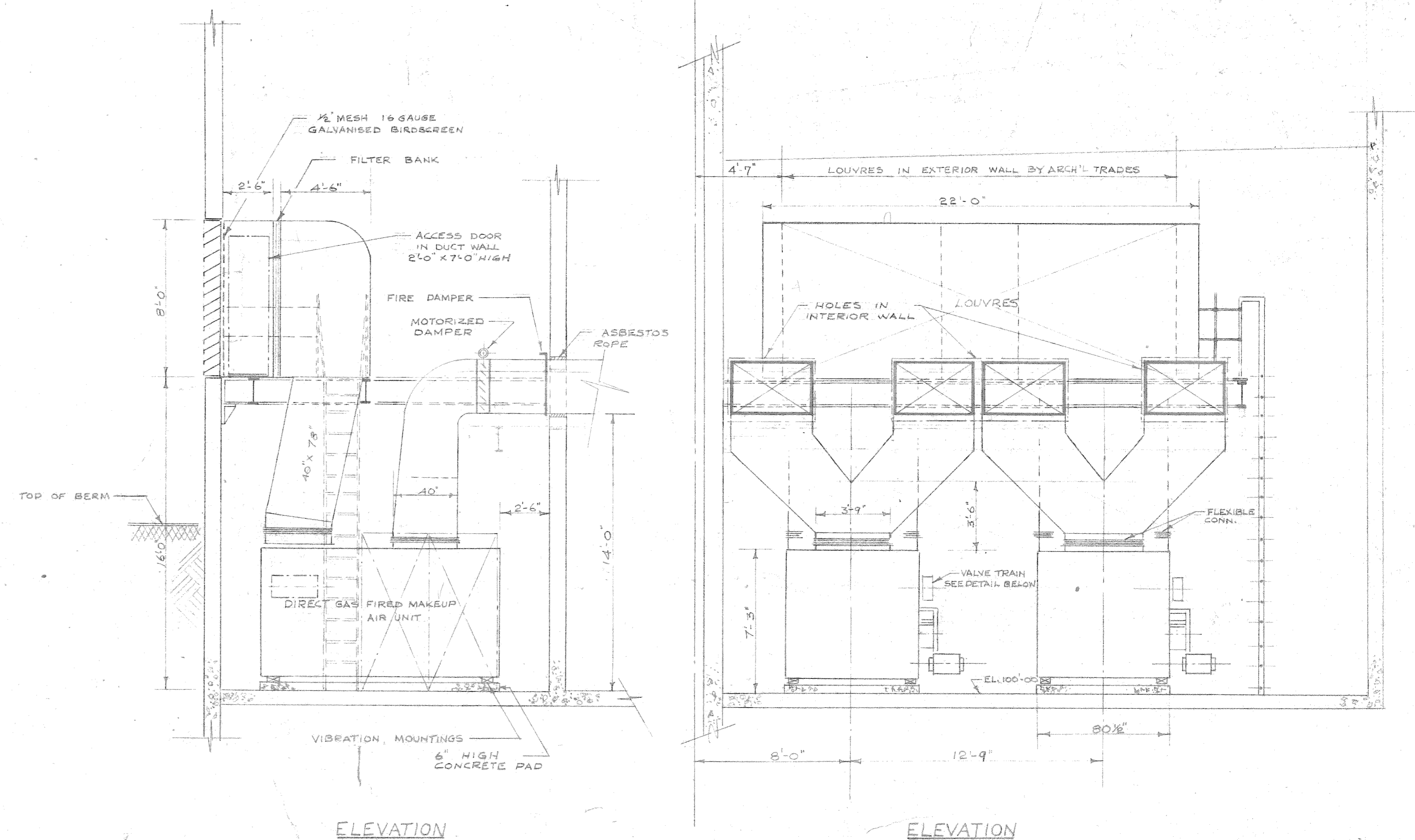


COLUMNS 2,3,4,5 COLUMNS 3,4,5,6

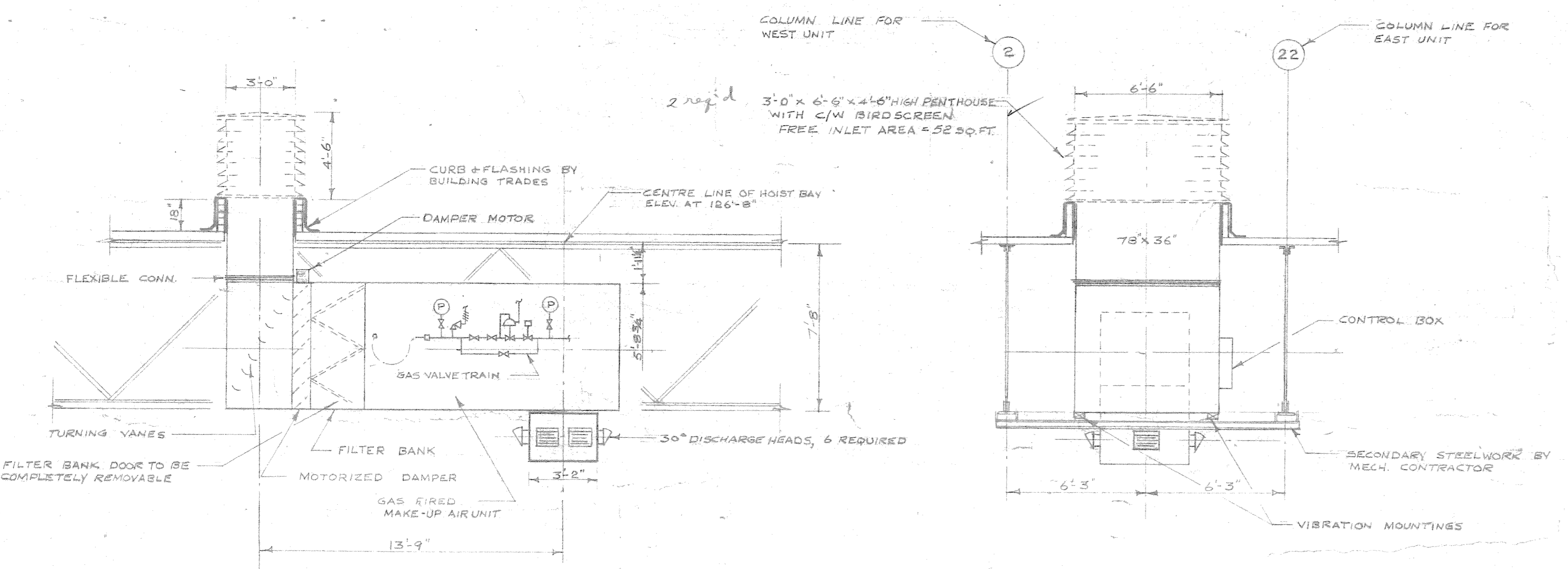


WATER WASH PAINT SPRAY BOOTH ARRANGEMENT
OVERHAUL & REPAIR BUILDING
SCALE 1/4" = 1'-0"

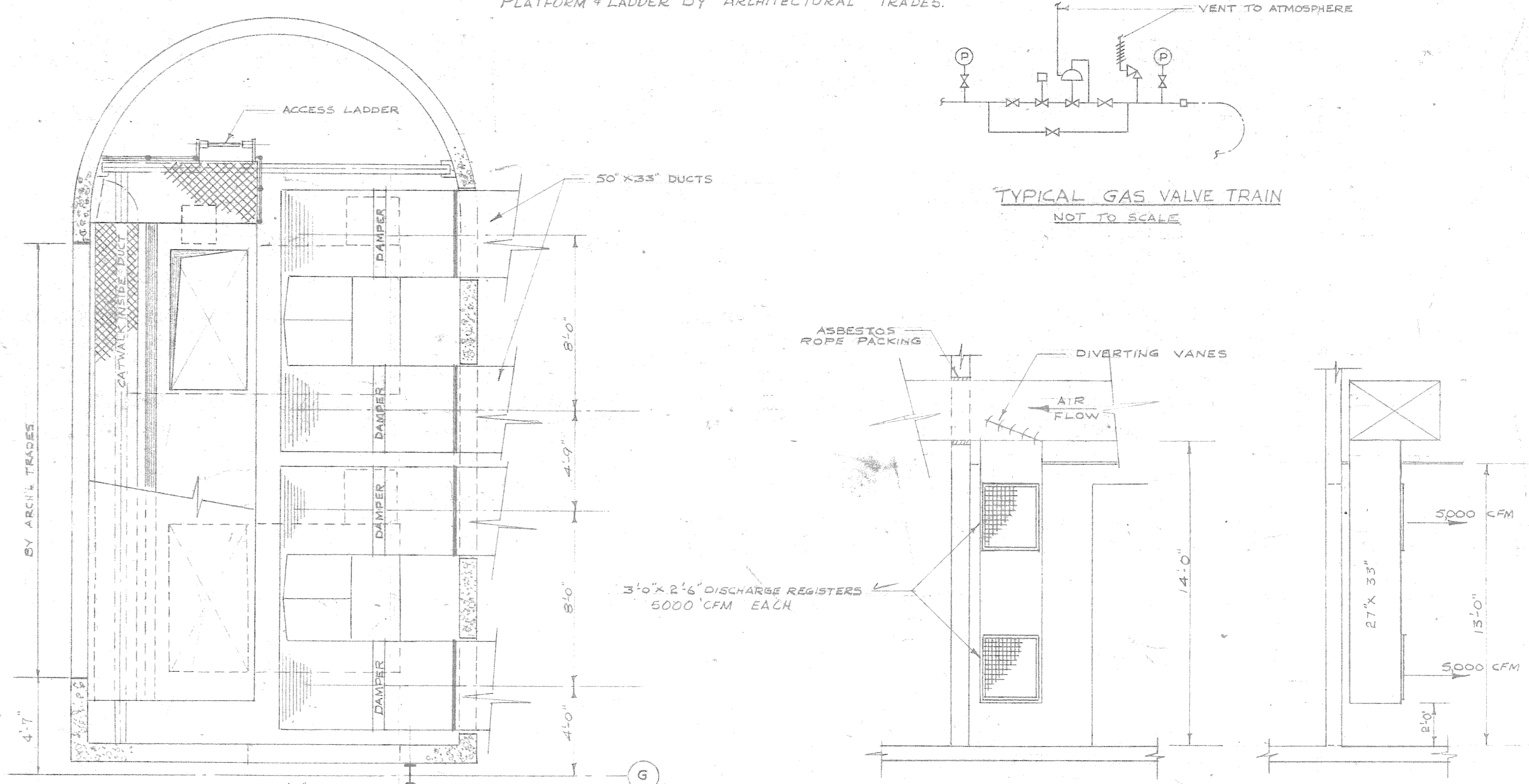


ELEVATION ELEVATION

NOTE: MAIN STEEL BY STRUCTURAL TRADES;
PLATFORM & LADDER BY ARCHITECTURAL TRADES.

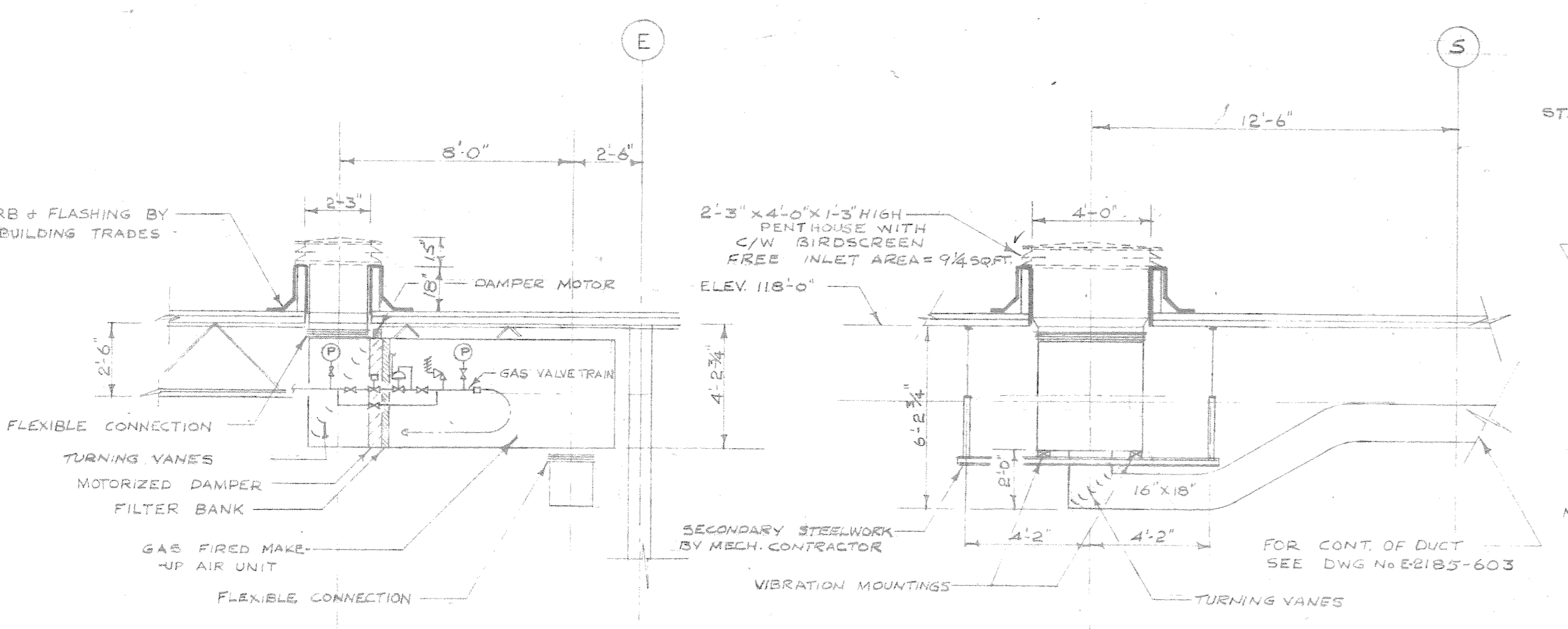


LAYOUT OF MAKE-UP AIR UNIT
IN HOIST BAY
OVERHAUL & REPAIR BUILDING
SCALE 1/4" = 1'-0"

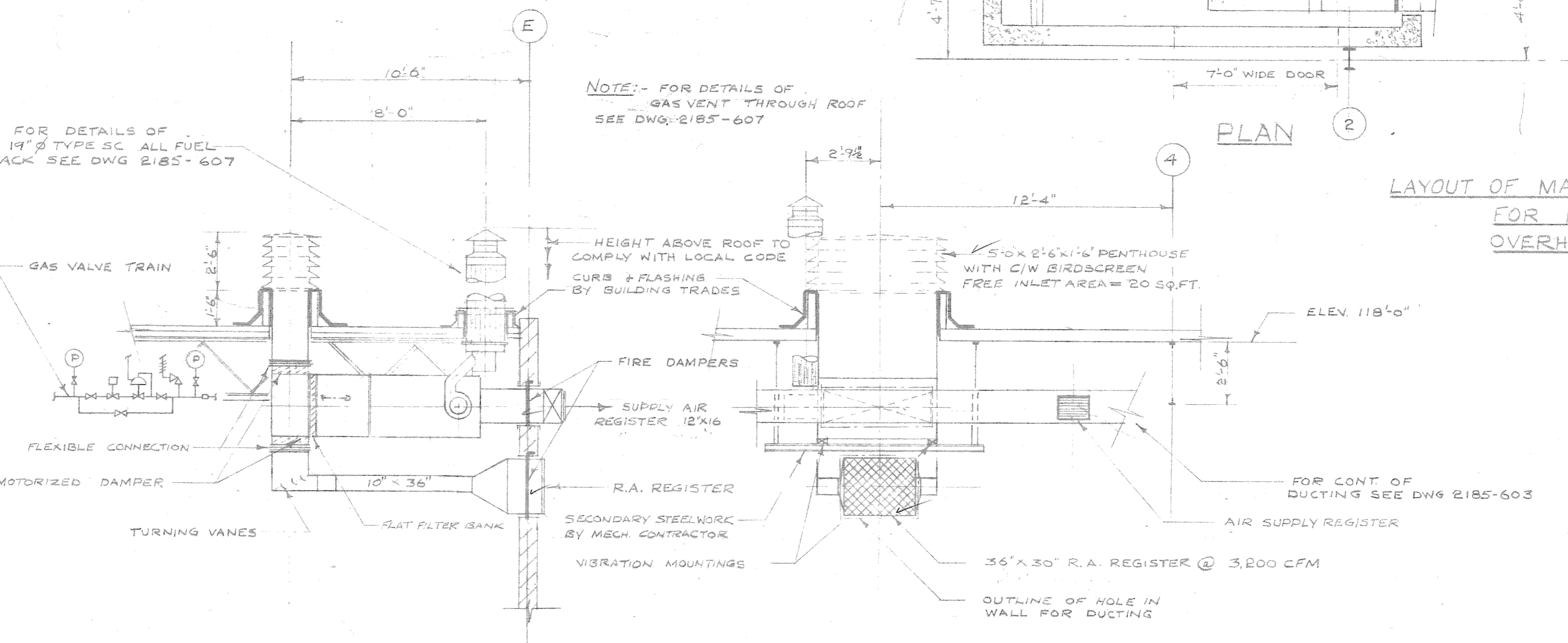


TYPICAL GAS VALVE TRAIN
NOT TO SCALE

TYPICAL AIR DISCHARGE IN PAINT SPRAY BOOTH
SCALE 1/4" = 1'-0"



LAYOUT OF MAKE-UP AIR UNIT AND DUCTING
FOR POLE PAINTING AREA
OVERHAUL & REPAIR BUILDING
SCALE 1/4" = 1'-0"



LAYOUT OF HEATING & VENTILATING & DUCTWORK
OF SIGN SHOP
OVERHAUL & REPAIR BUILDING
SCALE 1/4" = 1'-0"

NOTE: - NO WELDING OR DRILLING TO BUILDING
STEEL WILL BE PERMITTED

NOTE: - FOR DETAILS OF
GAS VENT THROUGH ROOF
SEE DWG 2185-607

FOR DETAILS OF
1 1/2" TYPE SC ALL FUEL
STACK SEE DWG 2185-607

LAYOUT OF MAKE-UP AIR UNITS & DUCTING
FOR PAINT SPRAY BOOTHS
OVERHAUL & REPAIR BUILDING
SCALE 1/4" = 1'-0"

2185-606

DATE	ISSUE NO.	REV. NO.	DESCRIPTION	DRAWN BY
1978	2	0	FOR TENDER	
2000	1	3	FOR APPROVAL	
ISSUE OR REVISION				
METROPOLITAN CORPORATION OF GREATER WINNIPEG STREETS AND TRANSIT DIVISION				
TRANSIT STORAGE AND SHOP FACILITIES				
HEATING & VENTILATING - DETAILS				
CONSULTING PROFESSIONAL ENGINEERS A. D. MARGISON AND ASSOCIATES LIMITED 1155 LESLIE STREET, DON MILLS, ONTARIO			ARCHITECTS Walsman Ross + Blankstein Coop Gillmor Hanna 10 DONALD STREET, WINNIPEG, MANITOBA	
APPROVED	DRAWN BY	DATE	CHECKED	SCALE
	D.S. Kane	AUGUST '67	S.T.T.	AS SHOWN
LICENSED TO PRACTICE IN THE PROVINCE OF MANITOBA My License Expires 10 Jan. 1968			FILE NO.	DRAWING NO.
				2185-606 MECHANICAL