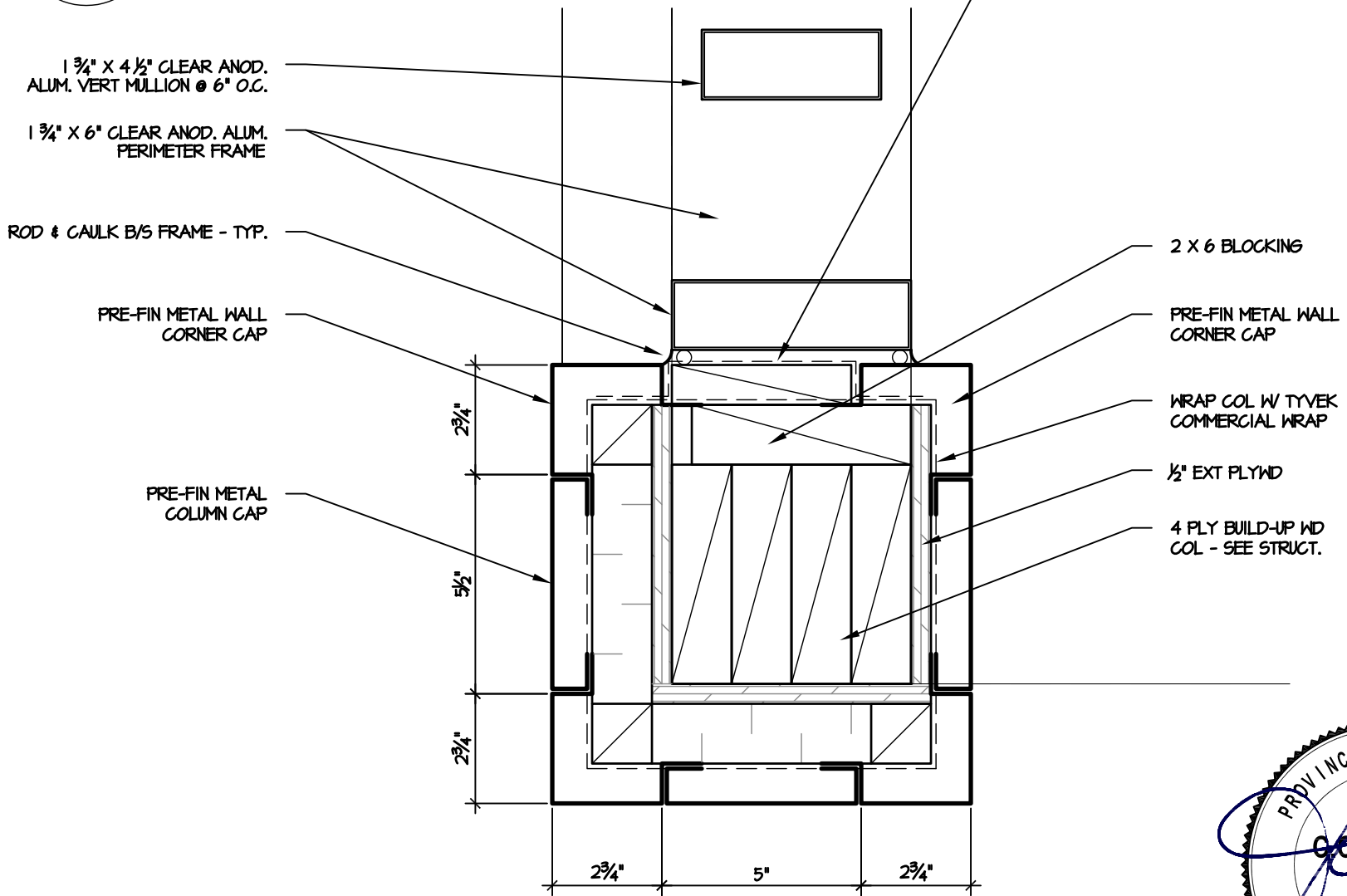


1 PLAN DETAIL - ALUM SCREEN / WALL END
A-16 SCALE 3" = 1'-0"



2 PLAN DETAIL - ALUM SCREEN / COLUMN
A-16 SCALE 3" = 1'-0"



Victor Suen Architect

23 Stormont Drive, Winnipeg, MB R3V 1L9
 email: victorsuenarchitect@mts.net
 Ph (204) 228-0230 Fax (204) 261-6341

COMFORT STATION FOR WINNIPEG TRANSIT

ALUM PRIVACY SCREEN HORIZ SECTION

SCALE: 3" = 1'-0"
 DATE: 2013/06/20

REV. 0 13/11/29 ISSUED FOR TENDER & CONSTRUCTION

A-16

Rev. 0