

NOTE: CHAINAGES SHOWN ARE ALONG S.P. OF MCDERMOT AVE

MCDERMOT AVENUE



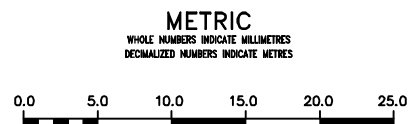
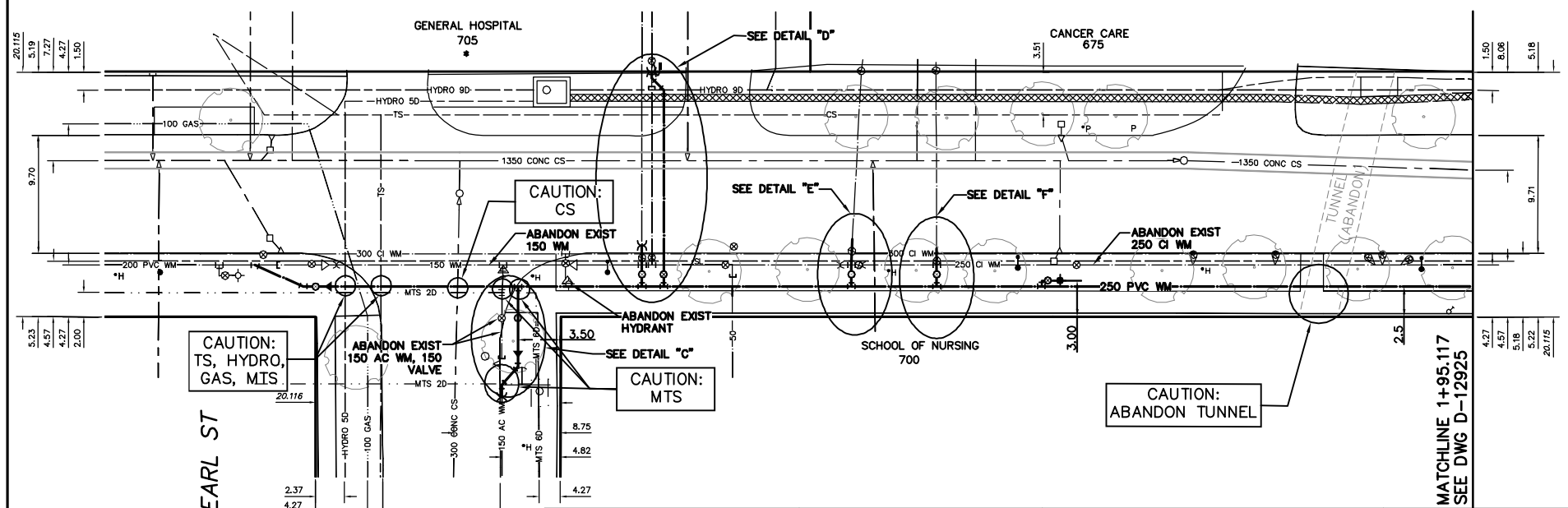
WATER SERVICE INFORMATION

| ADDRESS | SIZE (mm) MATERIAL (STREET) | SIZE (mm) MATERIAL (PROP.) | SHORT & LONG MEASUREMENT | CORP. LOCATION | REMARKS |
|-------------------|-----------------------------|----------------------------|--------------------------|----------------|-----------------|
| 705 MCDERMOT AVE | 150 AC | 150 AC | 1.25 W OF E BL | OPP OF SC | - |
| 705 SHERBROOK ST. | 150 DI | 150 DI | 6.77 EEL OF PEARL | OPP OF SC | RENEW W/150 PVC |
| 675 SHERBROOK ST. | 150 PVC | 150 PVC | 2.07 W OF E BL | OPP OF SC | - |
| 675 SHERBROOK ST. | 150 PVC | 150 PVC | 7.56 EEL OF PEARL | OPP OF SC | RECONNECT |
| 675 SHERBROOK ST. | 150 PVC | 150 PVC | 10.35 E OF W BL | OPP OF SC | - |
| 700 SHERBROOK ST. | 50 PVC | 50 PVC | 44.12 WML OF OLIVIA | OPP OF SC | RECONNECT |
| 700 SHERBROOK ST. | 50 PVC | 50 PVC | 3.78 E OF W BL | OPP OF SC | - |
| 700 SHERBROOK ST. | 50 PVC | 50 PVC | 7.56 EEL OF PEARL | OPP OF SC | - |
| 700 SHERBROOK ST. | 50 PVC | 50 PVC | 10.10 E OF E BL | OPP OF SC | - |
| 700 SHERBROOK ST. | 50 PVC | 50 PVC | 14.14 EEL OF PEARL | OPP OF SC | - |

* SERVICES TO BE RENEWED TO P. ALL OTHERS TO BE RECONNECTED

INFORM CONTRACT ADMINISTRATOR 48 HOURS PRIOR TO WATERMAIN SHUT DOWN TO ALLOW FOR COORDINATION WITH HSC

HSC CONTACT:
JEFF MCKENZIE
PH: 787-4273



WARNING

IF POWER EQUIPMENT OR EXPLOSIVES ARE TO BE USED FOR EXCAVATION ON THIS PROJECT THE CONTRACTOR MUST:

- 1) NOTIFY THE GAS COMPANY OF THE PROPOSED LOCATION OF EXCAVATION.
- 2) TAKE PRECAUTION TO AVOID DAMAGE TO GAS COMPANY INSTALLATIONS.

SEE PROVINCIAL REGULATION 21072 FOR DETAILS

LOCATION APPROVED UNDERGROUND STRUCTURES

SUPV. U/G STRUCTURES COMMITTEE DATE

NOTE: LOCATION OF UNDERGROUND STRUCTURES AS SHOWN ARE BASED ON THE BEST INFORMATION AVAILABLE BUT NO GUARANTEE IS GIVEN THAT ALL EXISTING UTILITIES ARE SHOWN OR THAT THE GIVEN LOCATIONS ARE EXACT. CONFIRMATION OF EXISTENCE AND EXACT LOCATION OF ALL UTILITIES MUST BE OBTAINED FROM THE INDIVIDUAL UTILITIES BEFORE PROCEEDING WITH CONSTRUCTION.

| NO. | REVISIONS | DATE | BY |
|-----|-----------|------|----|
| | | | |
| | | | |

| | | | |
|-------------|------------|---------------------------|----|
| DESIGNED BY | RL | CHECKED BY | SC |
| DRAWN BY | RS | APPROVED BY | KZ |
| SCALE: | | RELEASED FOR CONSTRUCTION | |
| HORIZONTAL | 1:250 | | |
| VERTICAL | 1:50 | | |
| DATE | 2012 03 27 | DATE | |
| PLOT DATE: | 2012 03 27 | | |

ENGINEER'S SEAL

ORIGINAL SIGNED BY S.R.J. COURNOYER 12-03-27

CONSULTANT DRAWING NUMBER

THE CITY OF WINNIPEG
WATER AND WASTE DEPARTMENT
ENGINEERING DIVISION

2012 WATERMAIN RENEWALS

MCDERMOT AVENUE
17.5 W OF PEARL STREET TO
6.3 W OF OLIVIA STREET

SHEET 8 OF 12
CITY DRAWING NUMBER
D-12924