

INSTRUMENT LOOP DIAGRAM

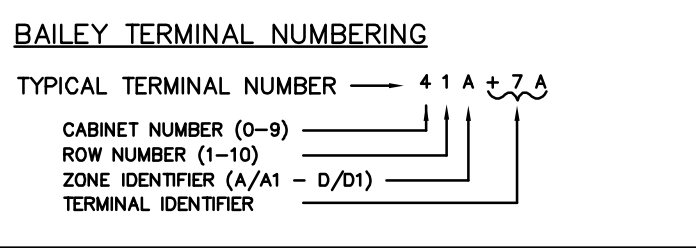
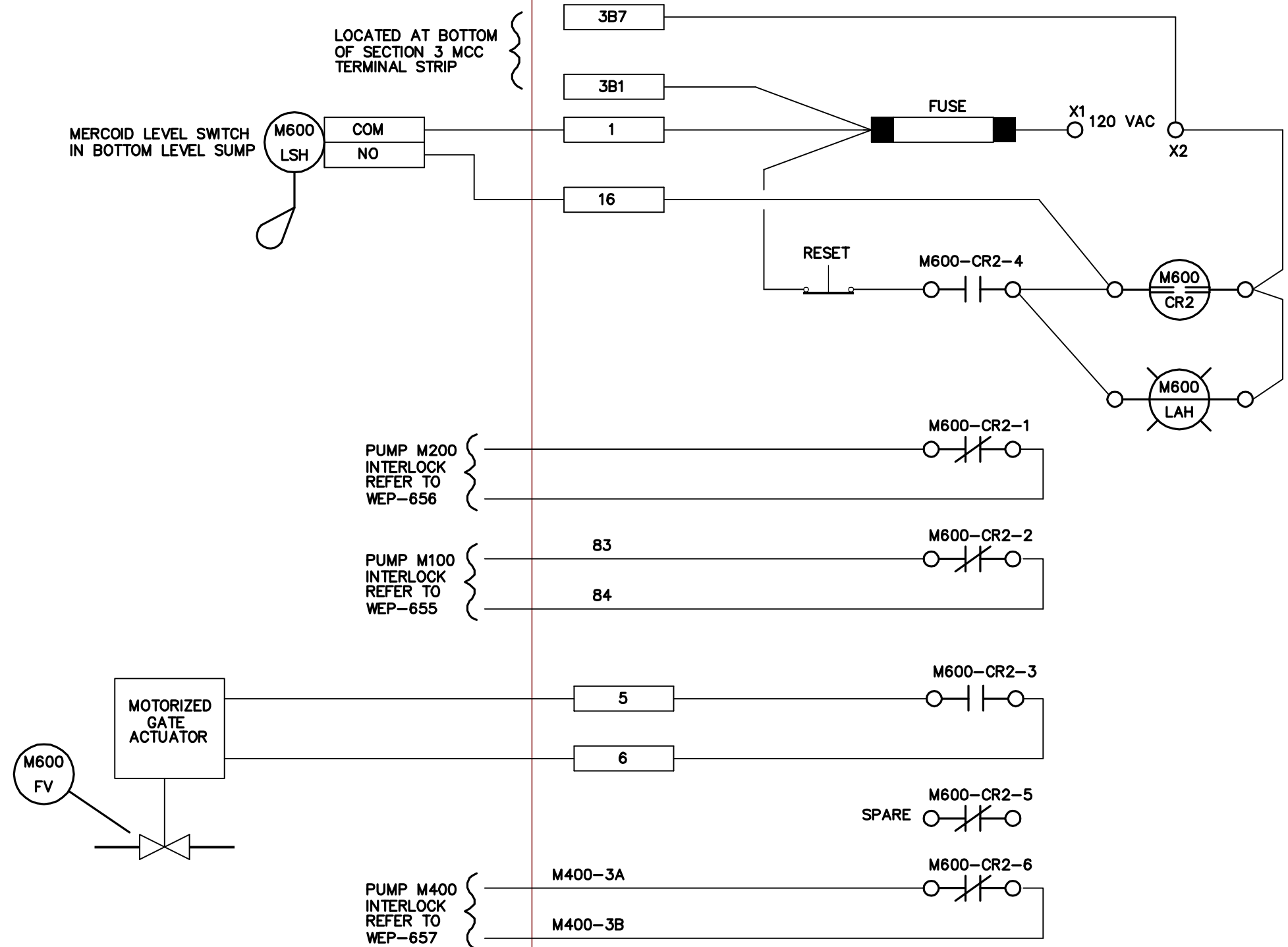
LOOP NO. - M600

FIELD

MOTOR CONTROL CENTER

D.C.S.

M600 STATION FLOOD MCC CUBICLE



Reid Crowther

NO.	REVISIONS	DATE	BY
3.	REVISED	96-12	MBD
2.	REVISED	96-05	CSN
1.	AS BUILT	93-09	

DESIGNED BY	BHK	CHECKED BY	
DRAWN BY	DRP	APPROVED BY	
HOR. SCALE	N.T.S.	RELEASED FOR CONSTRUCTION	
VERTICAL	N.T.S.	DATE	MAY 1991

ENGINEER'S SEAL

CONSULTANT DRAWING NO.

THE CITY OF WINNIPEG
WORKS AND OPERATIONS DIVISION
WATER AND WASTE DEPARTMENT

WEST END WATER POLLUTION CONTROL CENTRE

**PERIMETER ROAD PUMPING STATION
STATION FLOOD INTERLOCK WDM 600**

SHEET OF
CITY DRAWING NUMBER
WEP-680