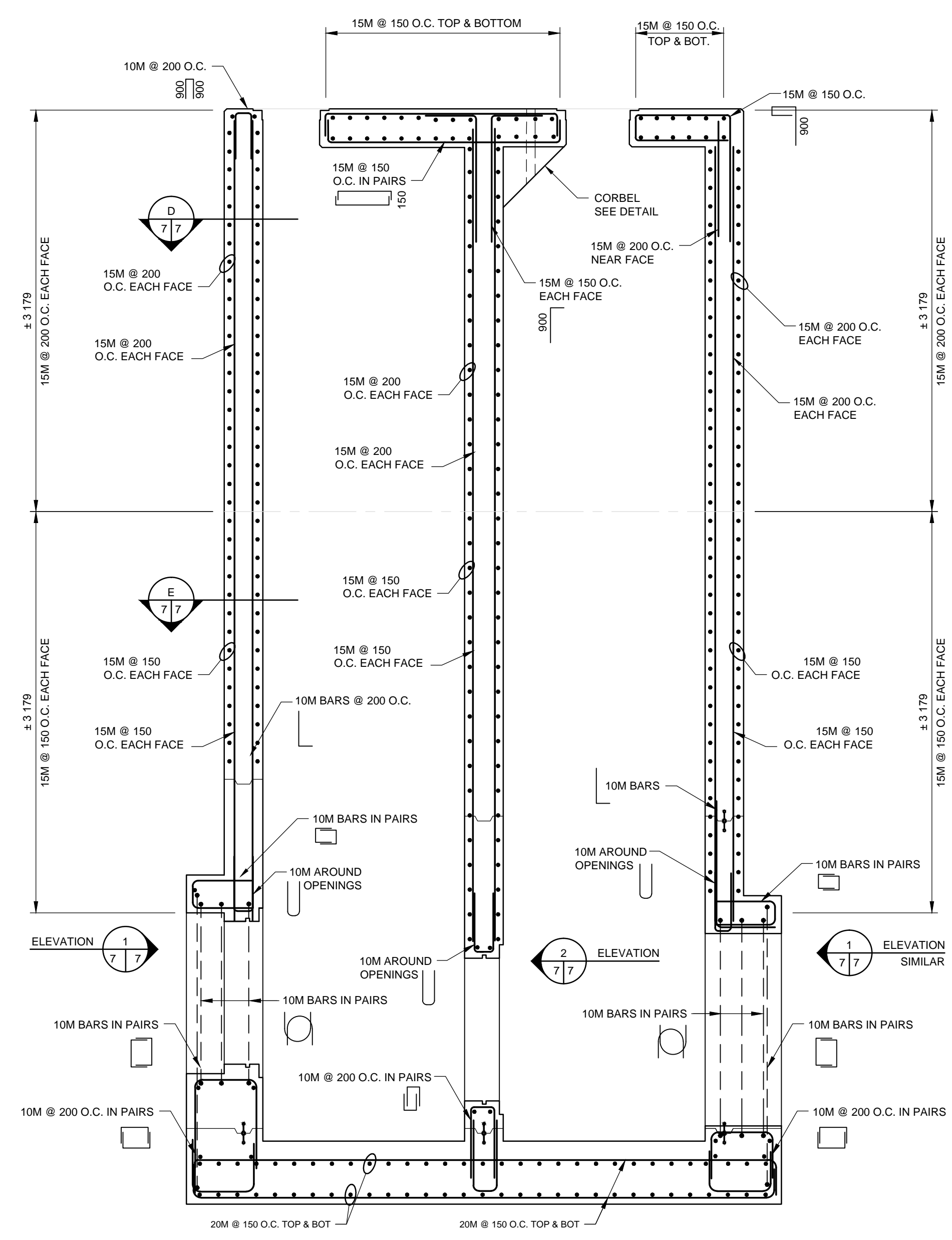
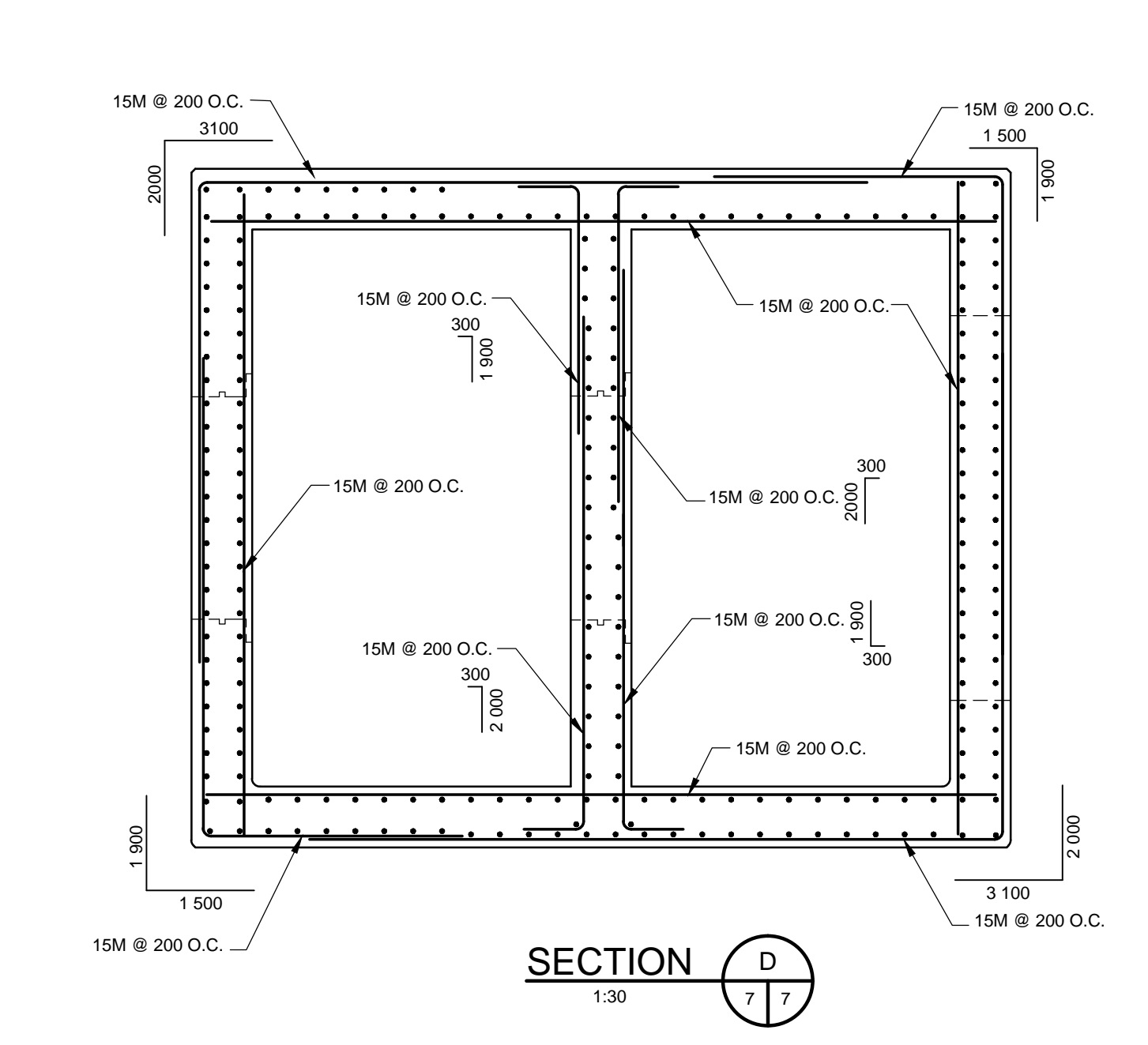


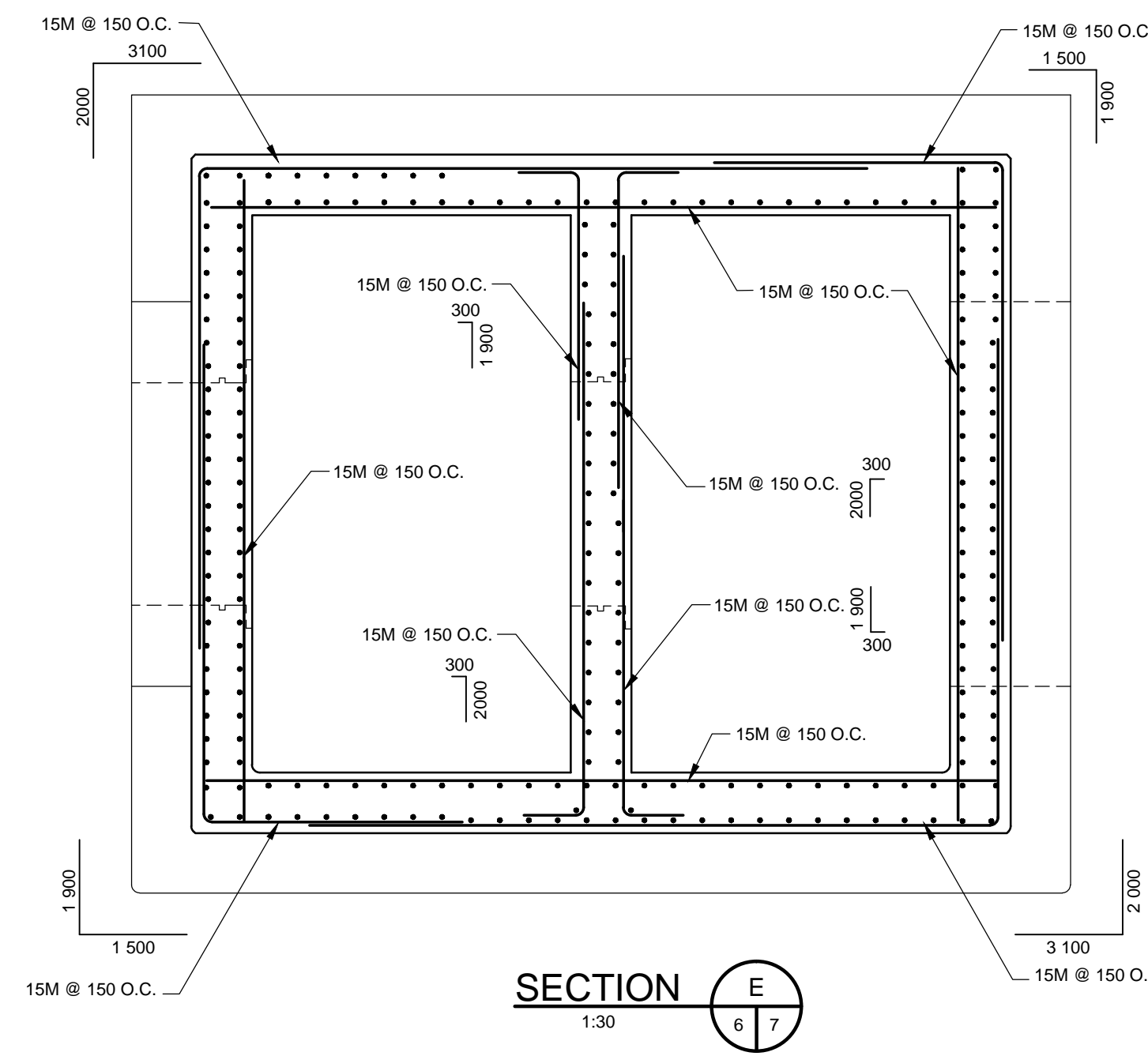
**ROOF SLAB REINFORCING PLAN**  
1:30



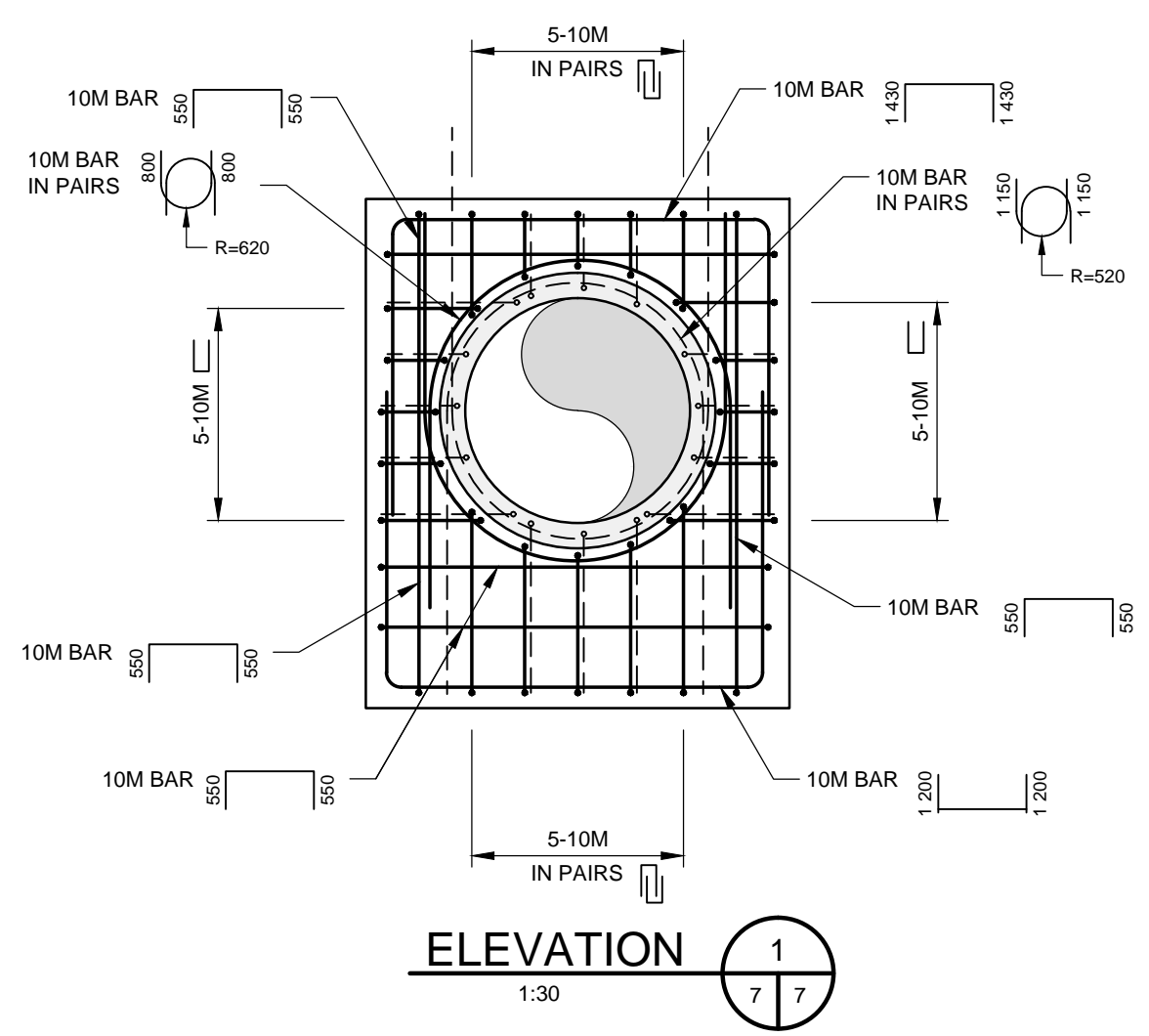
**SECTION A**  
(THROUGH C OF PIPE)  
1:30



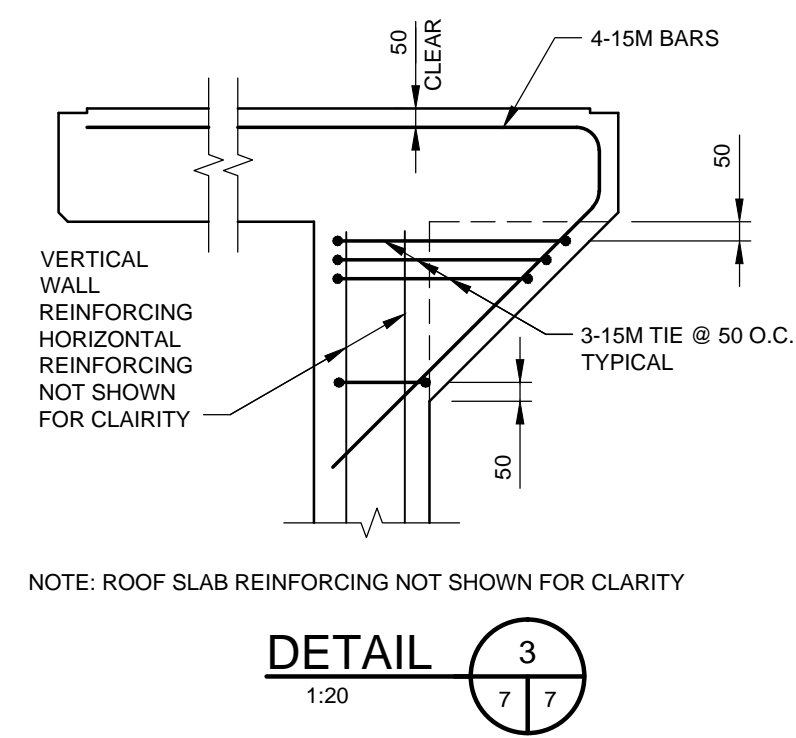
**SECTION D**  
1:30



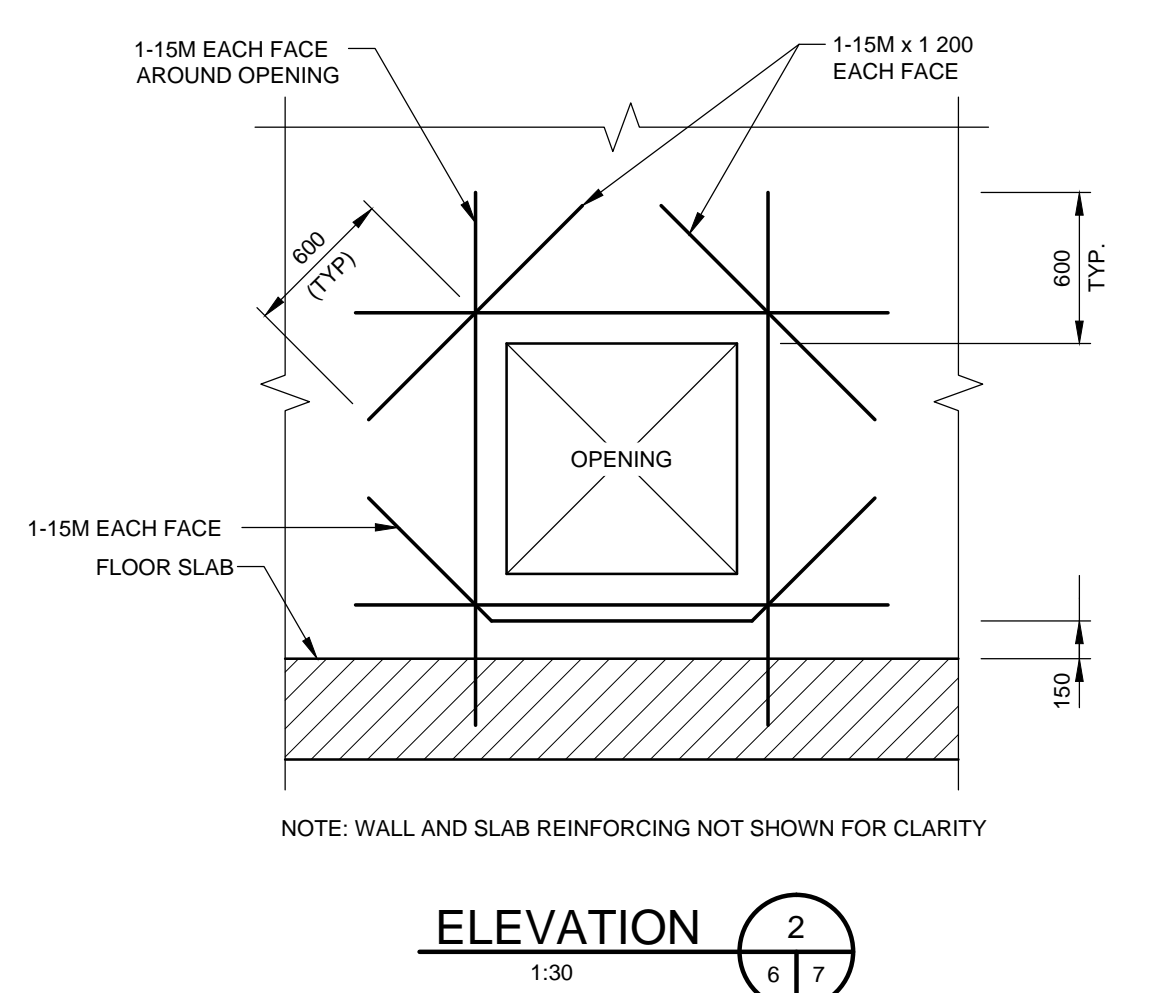
**SECTION E**  
1:30



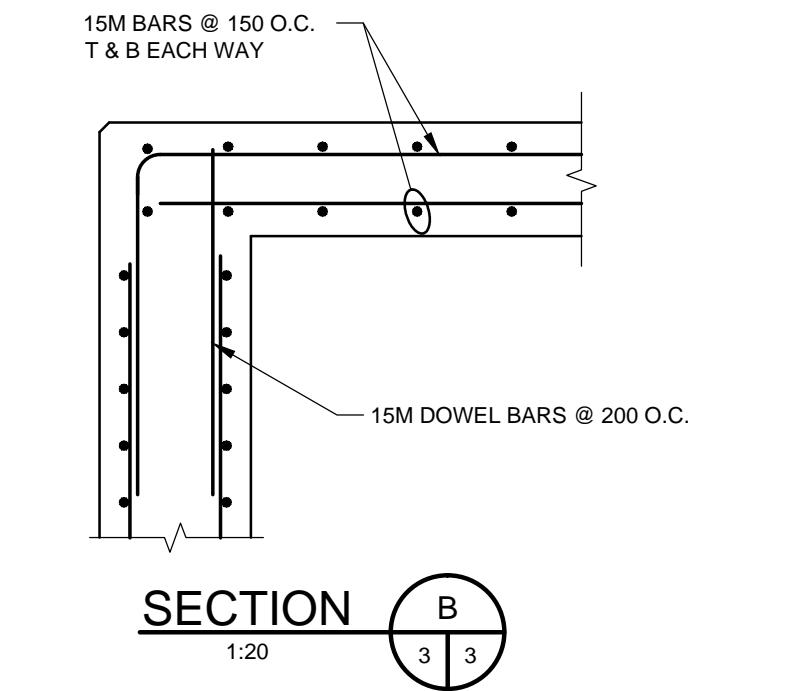
**ELEVATION 1**  
1:30



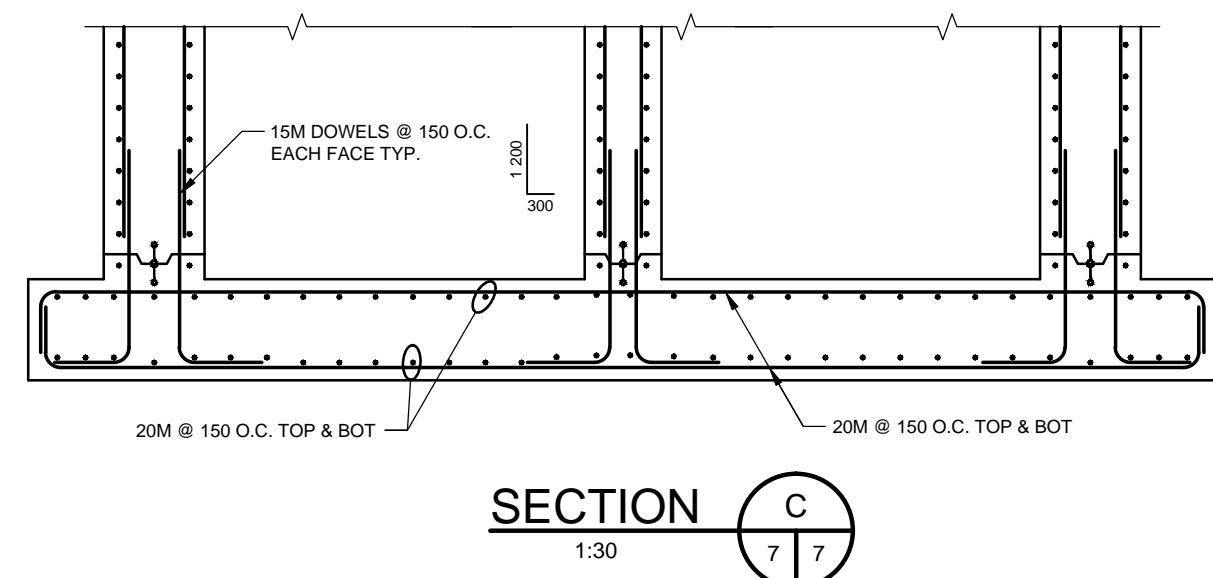
**DETAIL 3**  
1:20



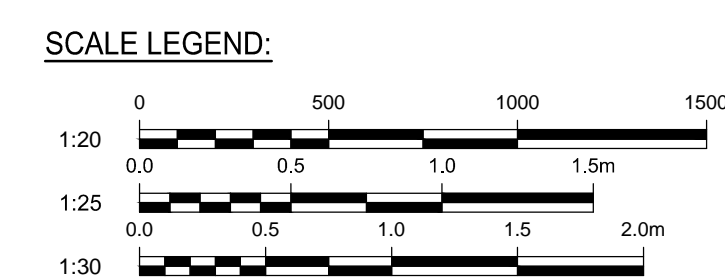
**ELEVATION 2**  
1:30



**SECTION B**  
1:20

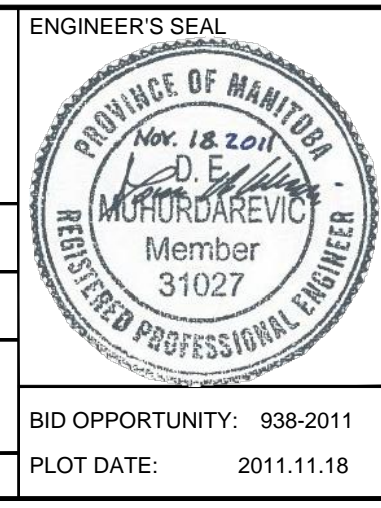


**SECTION C**  
1:30



**METRIC**  
WHOLE NUMBERS INDICATE MILLIMETRES  
DECIMALIZED NUMBERS INDICATE METRES

DESIGNED BY		MM		CHECKED BY		DM/CDP	
DRAWN BY		KDB		APPROVED BY		DM	
HOR. SCALE		AS NOTED		RELEASED FOR CONSTRUCTION			
VERT. SCALE		AS NOTED					
1	ISSUED FOR TENDER	11.11.18	DM				
No.	REVISIONS	DATE	BY	DATE	2011.11.18		



**THE CITY OF WINNIPEG**  
WASTE AND WATER DEPARTMENT

OUTFALL GATE CHAMBERS CONSTRUCTION & UPGRADES  
MINNETONKA STREET & RIVER ROAD  
NEW LDS OUTFALL GATE CHAMBER

CONSULTANT DRAWING No.: 5511125-7  
SHEET 7 OF 10  
CITY DRAWING No.: LD-5713

BID OPPORTUNITY: 938-2011  
PLOT DATE: 2011.11.18



Last saved November 18, 2011 - 11:02 AM by BERNARDK... P:\5511125-5511125\5511125 - Minnetonka Gate Chambers.dwg

NOTE: These design documents are prepared solely for the use by the party with whom the design professional has entered into a contract and there are no representations of any kind made by the design professional to any party with whom the design professional has not entered into a contract.