

395 Main Street

Card access upgrade project

Door modification schedule

Revision 3

The following changes are planned for the heritage program protected doors on the main floor of the Confederation Building, 395 Main Street. Door location references are shown in Appendix 22

Exterior wall. Node 1.01. Planned actions:

- Install a Wikk Access Ability's The Ingress'r bollard (Appendix 1) (dark bronze finish) at the location specified in Appendix 2
- Mount a Wikk Access Ability's 36" The Ingress'r Column Touch Actuator (dark bronze finish) (Appendix 1) and an Indala Wallswitch card scanner model #FP4521A-10200 (Appendix 3) on the bollard. If cables for the actuator button and the card reader cannot be connected from underneath, surface mounted EMT tubing should be finished with dark bronze paint
- Remove the existing wall mounted actuator (Appendix 2) and cover the mounting box with a 6" bronze round cover plate

Exterior door. Node 1.02. Planned actions:

- Remove two existing exit devices and 12" extension rods (Appendix 4 – framed in red)
- Reinstall outer pulls to match height, patch the holes (Appendix 5)
- Install Von Duprin 3327A Exit devices and 12" extension rods (dark bronze finish) (Appendix 6). Both exit devices will have QEL electric motors inside them and be controlled by card access. The south panel of the door will have key override functionality.
- Install Locknetics 788 12" wire transfer armoured door cords (dark bronze finish) (Appendix 7)
- Install a Blank M/S Filler Plate – 613 (brown finish) to cover the door edge opening (Appendix 8)

Vestibule. Node 1.03. Planned actions:

- Replace two existing key-switch arming stations (Appendix 9) with two card access arming stations (Appendix 10). The card access arming station consists of a DSC intrusion alarm keypad model #LCD-4501TZ enclosed in a Honeywell thermostat cover model #TG511A 1000 (7 1/2" x 6 1/2" x 2 7/8") and an Indala Wallswitch card scanner model #FP4521A-10200. All cables will be enclosed in the matching colour wiremold.

Vestibule. Node 1.04. Planned actions:

- Install a Wikk Access Ability's The Ingress'r bollard (Appendix 1) (dark bronze finish) at the location specified in Appendix 11
- Mount a Wikk Access Ability's 36" The Ingress'r Column Touch Actuator (dark bronze finish) (Appendix 1) and an Indala Wallswitch card scanner model #FP4521A-10200 (Appendix 3) on the bollard. If cables for the actuator button and the card reader cannot be connected from underneath, enclose the cables in EMT tubing finished with dark bronze paint or a matching colour wiremold.

Colour and type of the wiremold should be approved by the Contract Administrator

- Remove the existing wall mounted actuator (Appendix 11) and patch the mounting holes or cover them with a 6” bronze round cover plate

Vestibule door. Node 1.05. Planned actions:

- Remove existing Unican and latch locks (Appendix 12)
- Cover the mounting holes and the door edge opening with two bright brass Unican conversion plates and one blank latch lock filler (dark brown finish)
- Remove two flush bolt rods (mechanism only)
- Install one double 392+316SF electromagnetic lock (dark brown finish) at the location indicated in Appendix 13
- Install two bright brass finish 55 8895 C3 Sargent exit push bars with electronic switches
- Transfer the cables from the door frame to the door using two K-DLG-18” gold armoured door cords
- Enclose any exposed cables in a matching colour wiremold. Colour and type of the wiremold should be approved by the Contract Administrator

Lock control devices. Node 1.06. Planned actions:

- Remove existing code lock keypad and wiremold (Appendix 14) and patch the mounting holes
- Install an Indala Wallswitch card scanner model #FP4521A-10200 (Appendix 2) mounted flush to the wall 36” to the center from the floor at the location indicated in Appendix 14. Enclose any exposed cables in a matching colour wiremold. Colour and type of the wiremold should be approved by the Contract Administrator

Elevator vestibule door. Node 1.07. Planned actions:

- Remove existing wiremold (Appendix 15) and replace it with a properly installed matching colour wiremold. Colour and type of the wiremold should be approved by the Contract Administrator. Replace existing wire transfer cords with two K-DLG-18” gold armoured door cords
- Reinstall the existing push Sargent C3 bars under the original push bars (Appendix 16). Supply and install an electronic switches inside the Sargent push bars
- Remove the existing M/S lock and cover the door edge opening with a Blank M/S Filler Plate – 613 (brown finish) (Appendix 17)
- Cover the installation holes with bright brass cover plates

Vestibule glass door. Node 1.08. Planned actions:

- ~~Remove interior side pull handles and attach two bright brass finish 55 8895 C3 Sargent exit push bars with electronic switches to the existing glass door panes (Appendix 18)~~

- Enclose any exposed cables in a matching colour wiremold. Replace the existing wiremold with new properly installed wiremold. Colour and type of the wiremold should be approved by the Contract Administrator
- Transfer the cables from the door frame to the door using two K-DLG-18" gold armoured door cords **supplied and installed by others**

Lock control devices. Node 1.09. Planned actions:

- Install a Wikk Access Ability's The Ingress'r bollard (Appendix 1) (dark bronze finish) at the location specified in Appendix 19
- Mount a Wikk Access Ability's 36" The Ingress'r Column Touch Actuator (dark bronze finish) (Appendix 1) and an Indala Wallswitch card scanner model #FP4521A-10200 (Appendix 3) on the bollard. If cables for the actuator button and the card reader cannot be connected from underneath, surface mounted EMT tubing should be finished with dark bronze paint
- Remove the existing wall mounted actuator (Appendix 19) and cover the mounting box with a 6" bronze round cover plate

Lock control devices. Node 1.10. Planned actions:

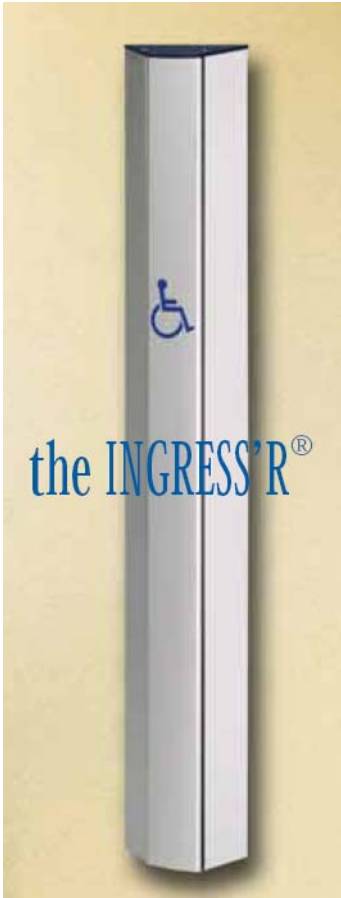
- Remove existing code lock keypad (Appendix 20) and patch the mounting holes
- Install an Indala Wallswitch card scanner model #FP4521A-10200 (Appendix 2) mounted flush to the wall 36" to the center from the floor at the location indicated in Appendix 20

Door operator actuator. Node 1.11. Planned actions:

- Remove the existing wall mounted wireless actuator (Appendix 21)
- Mount a Wikk Access Ability's 36" The Ingress'r Column Touch wireless actuator (dark bronze finish) (Appendix 1) flush to the wall

Appendices

Appendix 1. Access Ability The Ingress'r Column Touch Activator



Bollard mounted



Dark Bronze Finish



Appendix 2. Exterior wall (Node 1.01)



Appendix 3. Indala Wallswitch card scanner



Appendix 4. Exterior door (Node 1.02) Existing exit devices and extension rods



Appendix 5. Exterior door (Node 1.02) Outer pulls

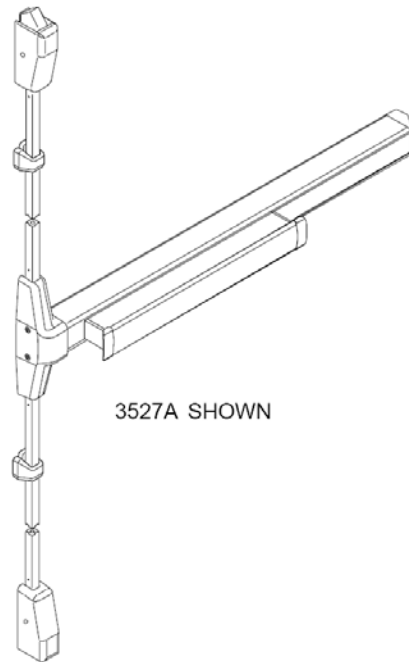


Appendix 6. Exterior door (Node 1.02) Von Duprin 3327A exit device

27 Top Latch



Anodized Duranodic (Dark Bronze)



3527A SHOWN

27 Bottom Latch



Appendix 7. Armoured door cord



Appendix 8. Exterior door (Node 1.02)



Appendix 9. Vestibule (Node 1.03). Key-switch arming stations



Appendix 10. Vestibule (Node 1.03). Card access arming station



Appendix 11. Node 1.04



Appendix 12. Node 1.05. Existing code lock



Appendix 13. Node 1.05. Electromagnetic locks and Sargent push bars



Appendix 14. Node 1.06



Appendix 15. Node 1.07. Wiremold



Appendix 16. Node 1.07. Push bars



Appendix 17. Node 1.07. Existing M/S lock



Appendix 18. Node 1.08



Appendix 19. Node 1.09



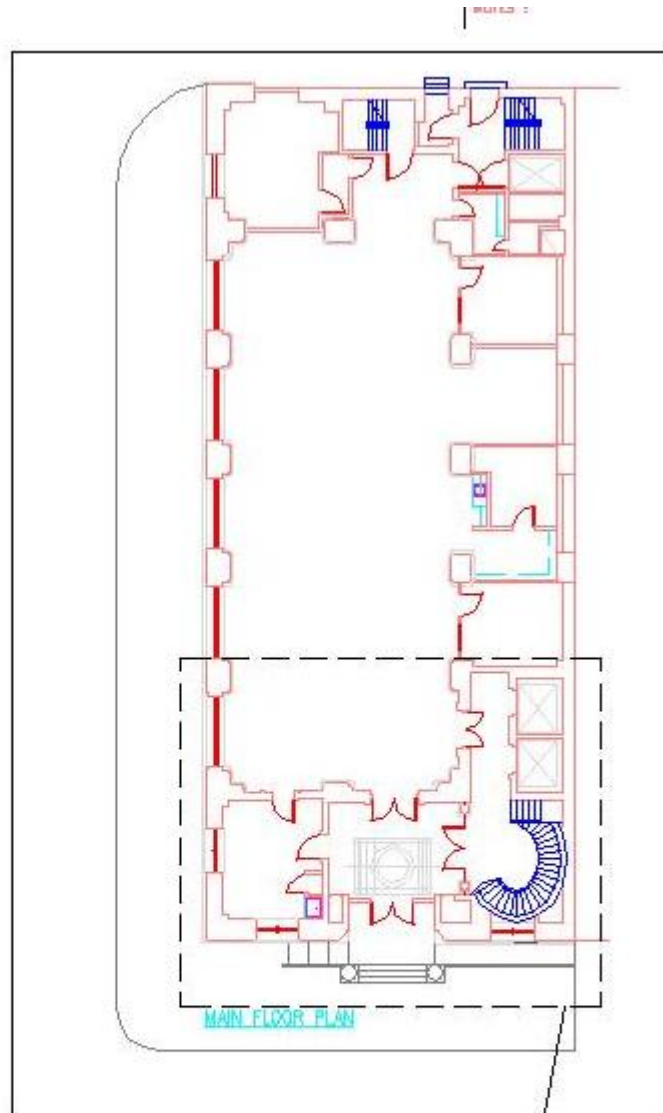
Appendix 20. Node 1.10



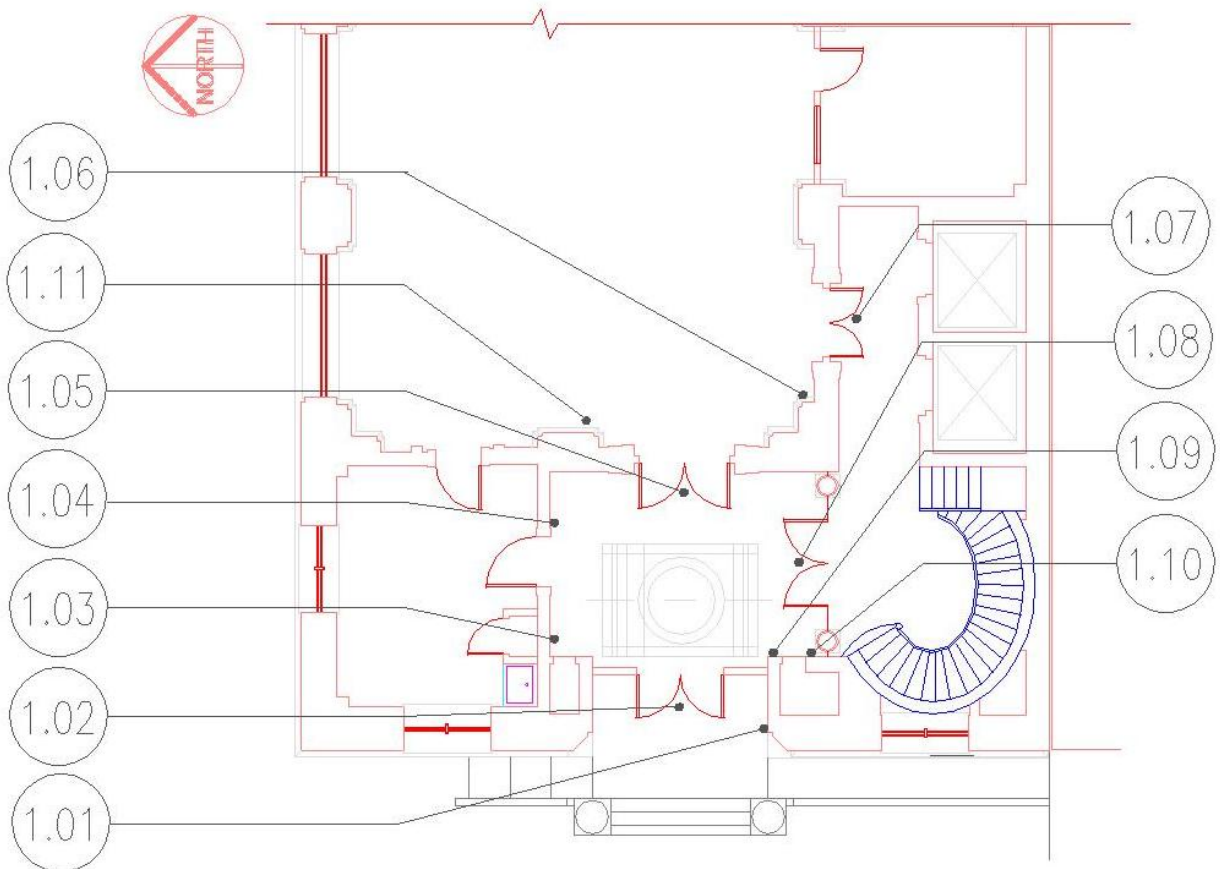
Appendix 21. Node 1.11



Appendix 22. Nodes Locations Reference



AREA OF WORK
ON MAIN FLOOR
DRAWING 'A'



(A) PARTIAL MAIN FLOOR PLAN