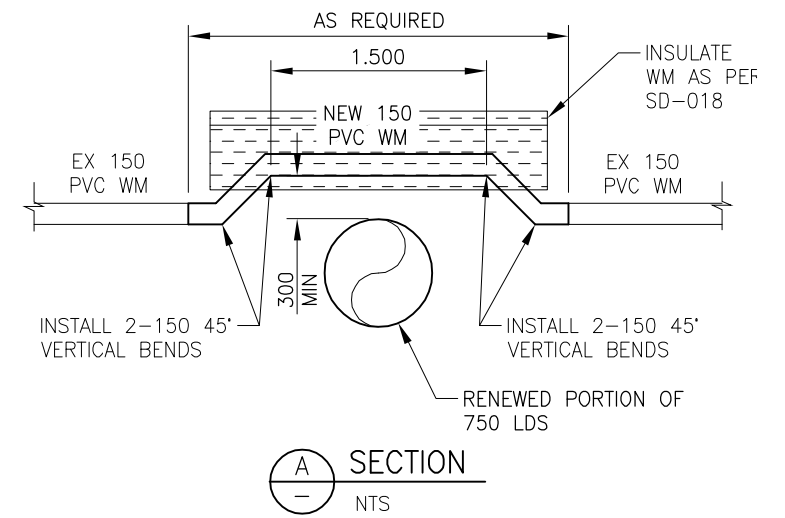
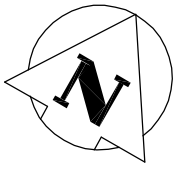
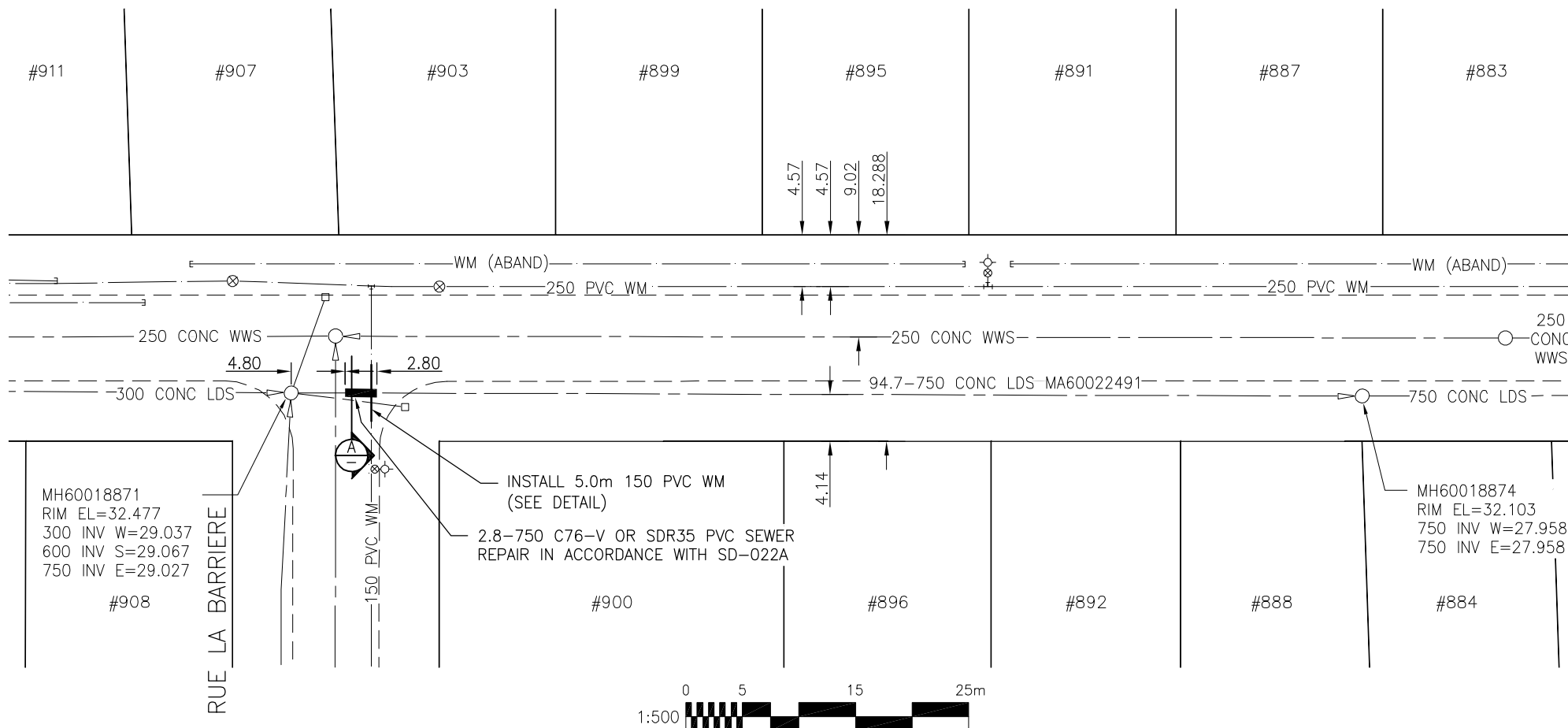


AVENUE LEMAY



MH60018871
RIM EL=32.477
300 INV W=29.037
600 INV S=29.067
750 INV E=29.027
#908

RUE LA BARRIERE

INSTALL 5.0m 150 PVC WM (SEE DETAIL)
2.8-750 C76-V OR SDR35 PVC SEWER REPAIR IN ACCORDANCE WITH SD-022A

MH60018874
RIM EL=32.103
750 INV W=27.958
750 INV E=27.958
#884

METRIC

WHOLE NUMBERS INDICATE MILLIMETRES
DECIMALIZED NUMBERS INDICATE METRES

BENCH MARK: N. side Lemay Ave., Tblt. in E. Conc. foundation of No. 841 Lemay Ave., 4.0 m N. & 0.2 m below stucco from S.E. Cor. of dwelling.

APEGM
Certificate of Authorization
Stantec Consulting Ltd.
No. 1301 Date: _____

BID OPPORTUNITY 911-2011

LOCATION APPROVED
UNDERGROUND STRUCTURES

SUPV. U/G STRUCTURES COMMITTEE DATE

NOTE:
LOCATION OF UNDERGROUND STRUCTURES AS SHOWN ARE BASED ON THE BEST INFORMATION AVAILABLE BUT NO GUARANTEE IS GIVEN THAT ALL EXISTING UTILITIES ARE SHOWN OR THAT THE GIVEN LOCATIONS ARE EXACT. CONFIRMATION OF EXISTENCE AND EXACT LOCATION OF ALL SERVICES MUST BE OBTAINED FROM THE INDIVIDUAL UTILITIES BEFORE PROCEEDING WITH CONSTRUCTION.

B.M. 88-9 ELEV. 230.838m			
NO.	REVISIONS	DATE	BY

		Stantec Consulting Ltd.	
905 Waverley Street, Winnipeg, Manitoba Tel 204-489-5900 Fax 204-453-9012			
DESIGNED BY	J.C	CHECKED BY	W.A.B.
DRAWN BY	D.L.	APPROVED BY	H.A.K.
HOR. SCALE:	1:500	RELEASED FOR CONSTRUCTION:	
VERTICAL:	N/A		
NO.	REVISIONS	DATE	BY
		11.09.01	

ENGINEER'S SEAL
CONSULTANT DRAWING NO. C-122

THE CITY OF WINNIPEG
WATER AND WASTE DEPARTMENT

2011 SEWER RENEWALS AND EXTERNAL POINT REPAIRS
CONTRACT NO. 18
AVENUE LEMAY
MH AT RUE LA BARRIERE TO 1ST MH E OF RUE LA BARRIERE
750 LDS POINT REPAIR

SHEET 29 OF 58
CAD FILE DRAWING NUMBER 13090c-122-768.dwg
CITY DRAWING NUMBER LD-5688

V:\1112\active\111213090\drawing\402_design\sheet_files\13090c-122-768-Lemay.dwg
2011 December 07, 9:16 a.m.