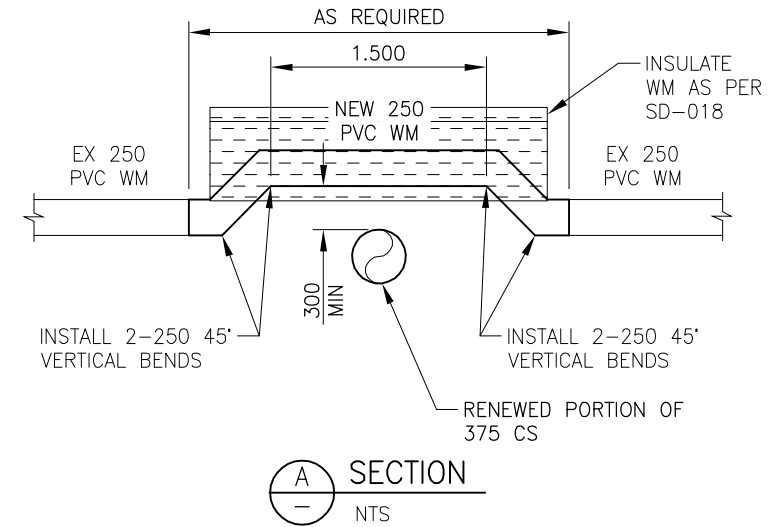
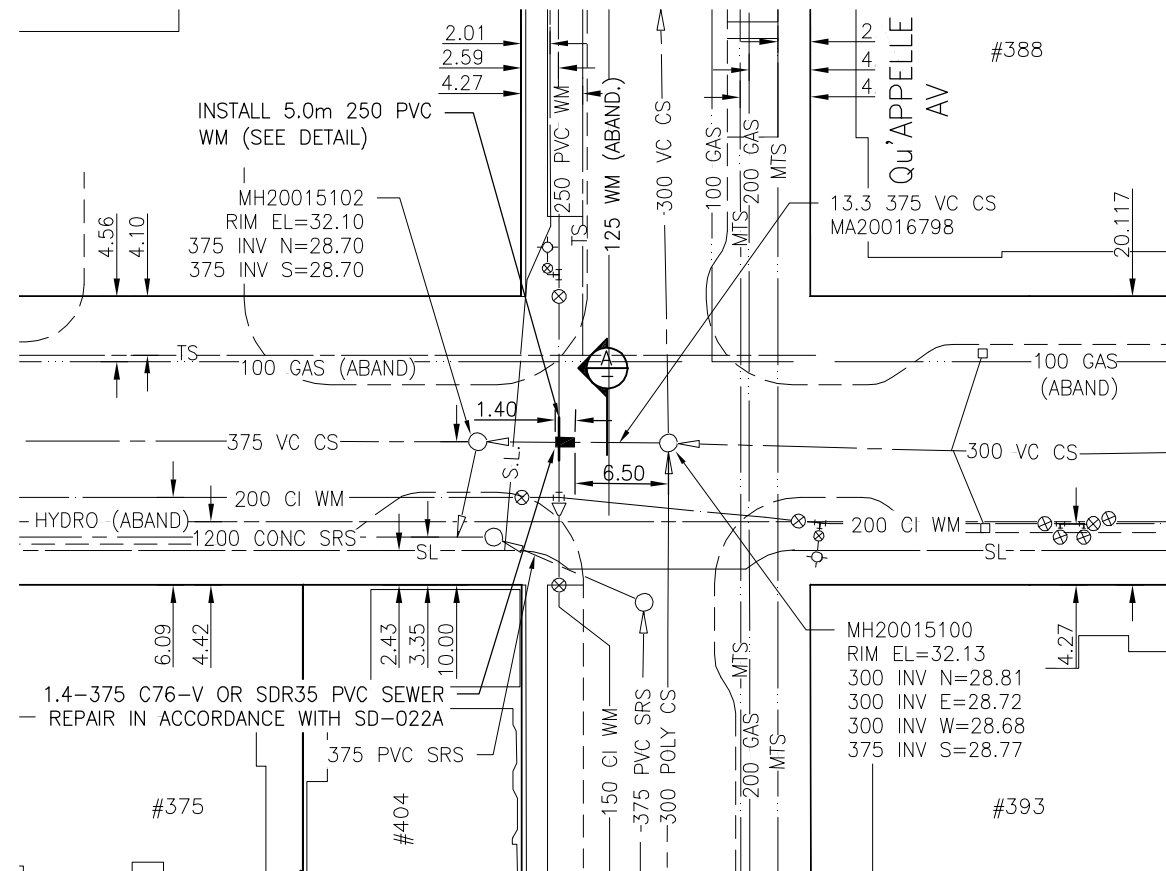


KENNEDY STREET



METRIC

WHOLE NUMBERS INDICATE MILLIMETRES
DECIMALIZED NUMBERS INDICATE METRES

BENCH MARK: E. side Kennedy St. Btw'n.
Qu'Appelle Ave. & Ellice Ave., Tblt. in W. Conc.
foundation of No. 355 Kennedy St., 1 m S. & 1.6 m
below top of Conc. wall of N.W. Cor. of Bldg.



Certificate of Authorization
Stantec Consulting Ltd.
No. 1301 Date: _____

BID OPPORTUNITY 911-2011

LOCATION APPROVED
UNDERGROUND STRUCTURES

SUPV. U/G STRUCTURES COMMITTEE DATE

NOTE:
LOCATION OF UNDERGROUND STRUCTURES AS SHOWN ARE BASED ON THE BEST INFORMATION AVAILABLE BUT NO GUARANTEE IS GIVEN THAT ALL EXISTING UTILITIES ARE SHOWN OR THAT THE GIVEN LOCATIONS ARE EXACT. CONFIRMATION OF EXISTENCE AND EXACT LOCATION OF ALL SERVICES MUST BE OBTAINED FROM THE INDIVIDUAL UTILITIES BEFORE PROCEEDING WITH CONSTRUCTION.

| | | | | |
|-------|-----------|------|----|--|
| B.M. | 35-46 | | | |
| ELEV. | 232.422m | | | |
| NO. | REVISIONS | DATE | BY | |



Stantec Consulting Ltd.

905 Waverley Street, Winnipeg, Manitoba
Tel 204-489-5900 Fax 204-453-9012

| | | | |
|-------------|-----------|----------------------------|--------|
| DESIGNED BY | J.C. | CHECKED BY | W.A.B. |
| DRAWN BY | D.L. | APPROVED BY | H.A.K. |
| HOR. SCALE: | 1:500 | RELEASED FOR CONSTRUCTION: | |
| VERTICAL: | N/A | DATE | |
| NO. | REVISIONS | DATE | BY |
| | | 11.09.01 | |

| |
|---------------------------------|
| ENGINEER'S SEAL |
| CONSULTANT DRAWING NO. C-118 |



THE CITY OF WINNIPEG WATER AND WASTE DEPARTMENT

2011 SEWER RENEWALS
AND EXTERNAL POINT REPAIRS
CONTRACT NO. 18
KENNEDY STREET
MH AT Qu'APPELLE AV (CL) TO MH AT
Qu'APPELLE AV (S PL) - 375 CS POINT REPAIR

| | |
|---|----|
| SHEET | OF |
| 25 | 58 |
| CAD FILE DRAWING NUMBER 13090c-118-768.dwg | |
| CITY DRAWING NUMBER 9735 | |

V:\1112\active\111213090\drawing\402_design\sheet_files\13090c-118-768-Kennedy.dwg
2011 December 07, 9:15 a.m.