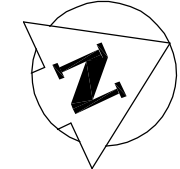
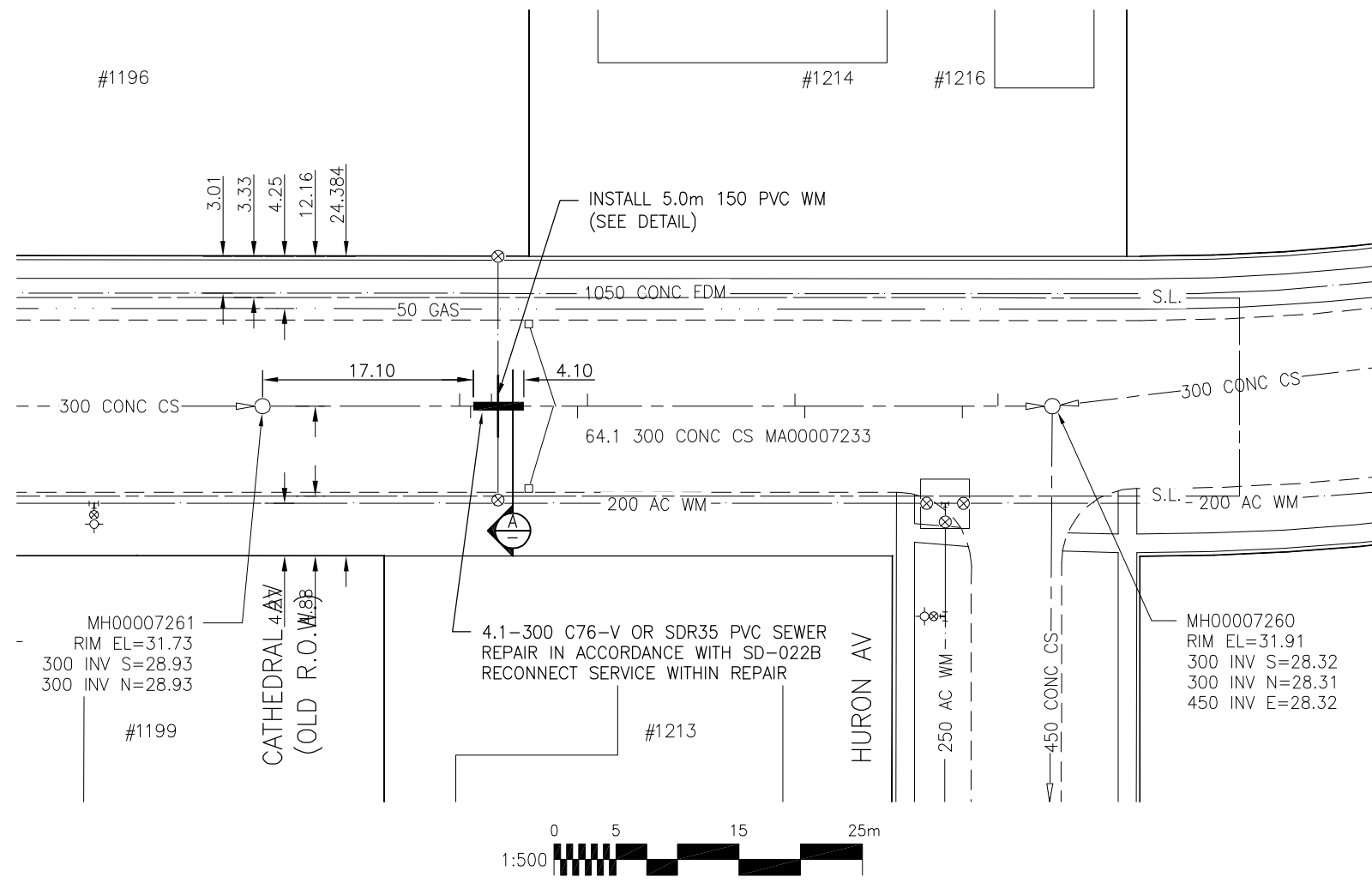


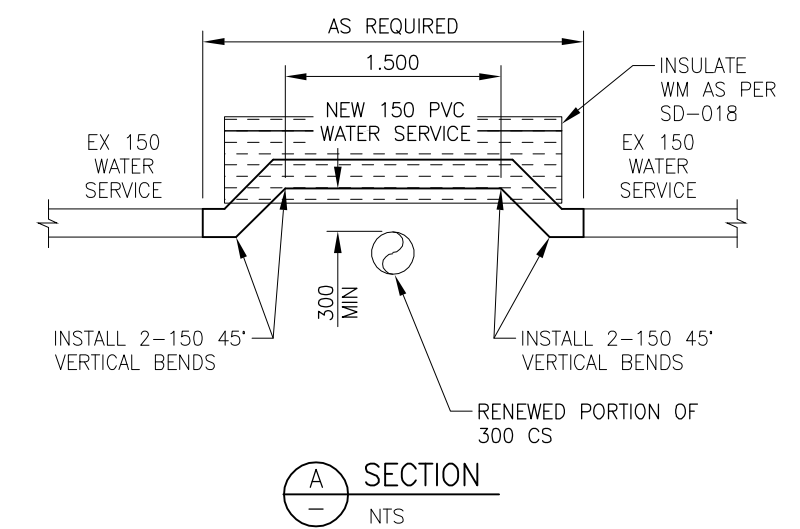
FIFE STREET



SEWER JUNCTION INFORMATION
FOR SEWER ID MA00007233
REFERENCE—METERS NORTH OF MANHOLE MH00007261

DIST. FROM REF. MH	JUNCTION DIA.	CLOCK REF.	SERVICE TYPE	DESCRIPTION
16.0	200	10	JN	PLUGGED
16.9	200	02	JN	PLUGGED
18.6	150	12	CNI	LIVE
25.6	200	02	JN	LIVE
26.4	200	10	JN	LIVE
43.2	200	10	JN	LIVE
44.0	200	02	JN	PLUGGED
56.8	150	02	JN	LIVE
59.7	200	10	CNI	LIVE

ALL JUNCTION INFORMATION
BASED ON CCTV INSPECTION



WATER SERVICE INFORMATION

ADDRESS	SIZE & TYPE STREET	SIZE & TYPE PROPERTY	STOP COCK LOCATION SHORT & LONG	CORP LOCATION FROM STOP COCK	REMARKS
#1196 FIFE ST COMMERCIAL					NO INFORMATION

METRIC

WHOLE NUMBERS INDICATE MILLIMETRES
DECIMALIZED NUMBERS INDICATE METRES

BENCH MARK: N.E. Cor. Church Ave. & Bunting St.,
Tbit. in E. Conc. foundation No. 1375 Church Ave., 1.5
m N. & 0.2 m below scored Conc. block wall of S.E.
Cor. of Bldg.

APEGM
Certificate of Authorization
Stantec Consulting Ltd.
No. 1301 Date: _____

BID OPPORTUNITY 911-2011

LOCATION APPROVED UNDERGROUND STRUCTURES

SUPV. U/G STRUCTURES COMMITTEE DATE
NOTE:
LOCATION OF UNDERGROUND STRUCTURES AS SHOWN ARE BASED ON THE BEST INFORMATION AVAILABLE BUT NO GUARANTEE IS GIVEN THAT ALL EXISTING UTILITIES ARE SHOWN OR THAT THE GIVEN LOCATIONS ARE EXACT. CONFIRMATION OF EXISTENCE AND EXACT LOCATION OF ALL SERVICES MUST BE OBTAINED FROM THE INDIVIDUAL UTILITIES BEFORE PROCEEDING WITH CONSTRUCTION.

B.M. 24-35	ELEV. 231.564m		
NO.	REVISIONS	DATE	BY

Stantec Consulting Ltd.
905 Waverley Street, Winnipeg, Manitoba
Tel 204-489-5900 Fax 204-453-9012

DESIGNED BY J.C.	CHECKED BY W.A.B.
DRAWN BY D.L.	APPROVED BY H.A.K.
HOR. SCALE: 1:500	RELEASED FOR CONSTRUCTION:
VERTICAL: N/A	DATE

DATE 11.09.01

ENGINEER'S SEAL
CONSULTANT DRAWING NO. C-112

THE CITY OF WINNIPEG
WATER AND WASTE DEPARTMENT

2011 SEWER RENEWALS AND EXTERNAL POINT REPAIRS CONTRACT NO. 18
FIFE STREET
1ST MH S OF HURON AV TO MH AT HURON AV
300 CS POINT REPAIRS

SHEET 19 OF 58
CAD FILE DRAWING NUMBER 13090c-112-768.dwg
CITY DRAWING NUMBER 9729

V:\1112\active\111213090\drawing\402_design\sheet_files\13090c-112-768-Fife.dwg
2011 December 07, 9:13 a.m.