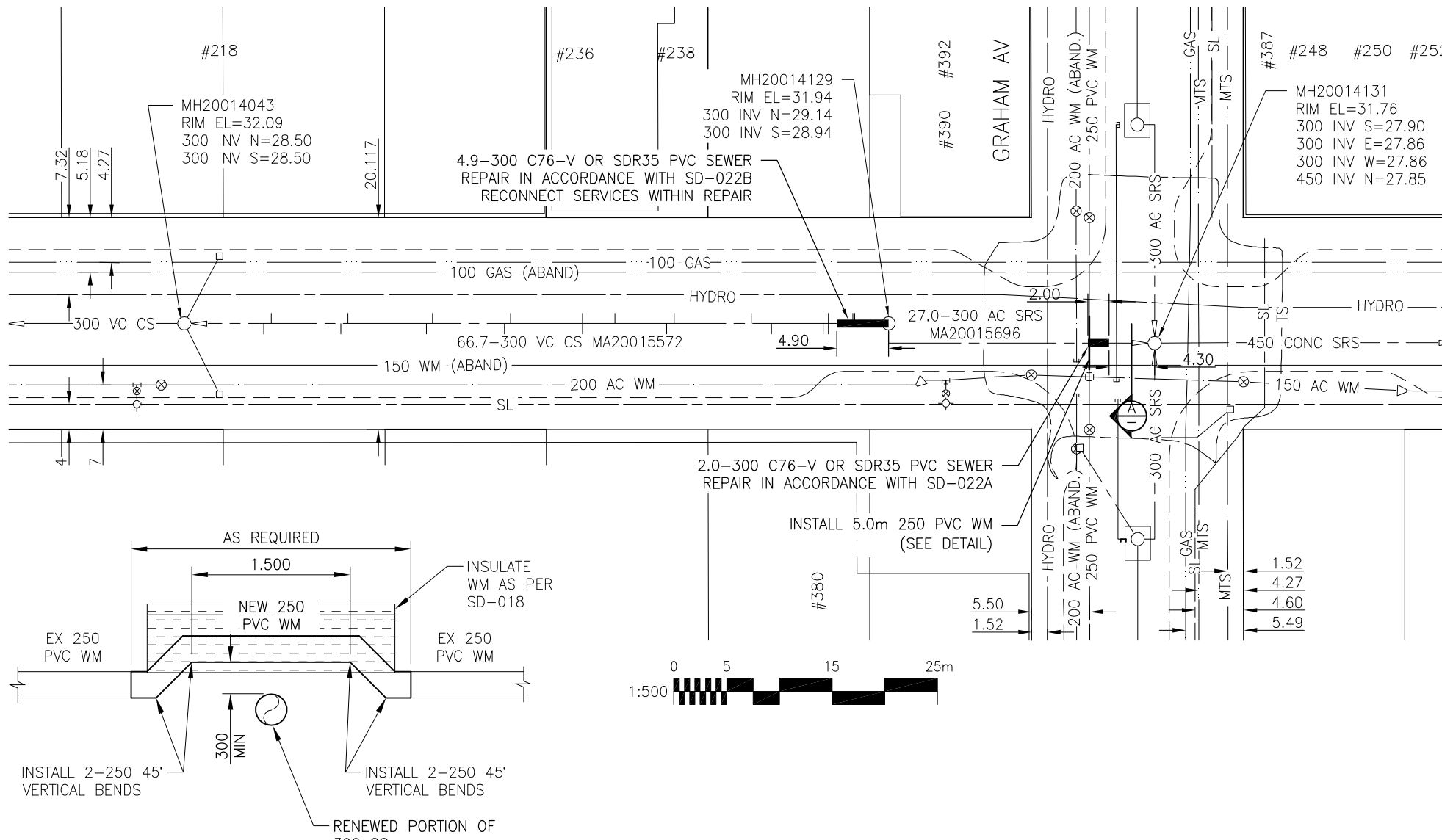


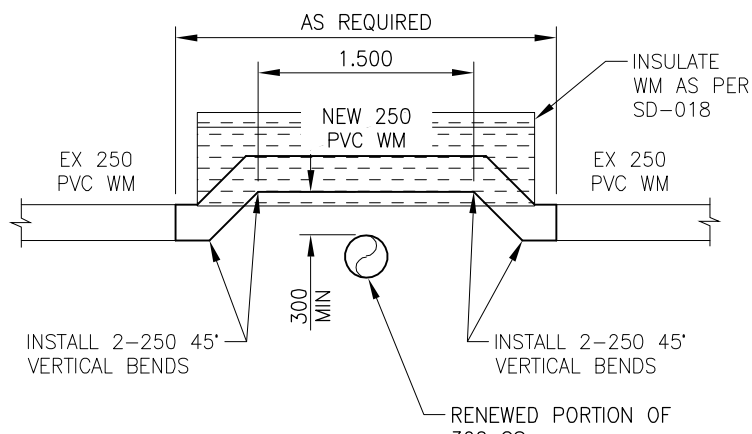
EDMONTON STREET



SEWER JUNCTION INFORMATION
FOR SEWER ID MA20015572
REFERENCE—METERS SOUTH OF MANHOLE MH20014129

DIST. FROM REF. MH	JUNCTION DIA.	CLOCK REF.	SERVICE TYPE	DESCRIPTION
3.2	250	02	JN	
3.4	100	01	CX	
5.7	100	02	JX	
5.7	150	10	CX	
6.2	150	10	JN	
11.1	150	10	JN	CAPPED
13.0	150	02	JN	
20.3	150	02	JN	CAPPED
21.0	150	10	JN	CAPPED
25.9	150	01	JN	
29.0	150	10	JX	
29.0	150	01	CNI	
35.8	150	02	JN	CAPPED
36.4	150	10	JN	
43.2	150	02	JN	
43.8	150	10	JN	
51.2	150	02	JN	CAPPED
51.9	150	10	JN	CAPPED
58.5	150	02	CNI	
59.2	150	10	JN	

ALL JUNCTION INFORMATION
BASED ON CCTV INSPECTION



APEGM
Certificate of Authorization
Stantec Consulting Ltd.
No. 1301 Date: _____

METRIC

WHOLE NUMBERS INDICATE MILLIMETRES
DECIMALIZED NUMBERS INDICATE METRES

BENCH MARK: Tbit. in W. wall of Convention
Center, Edmonton St, 0.3m N of S.W. corner of building

BID OPPORTUNITY 911-2011

LOCATION APPROVED
UNDERGROUND STRUCTURES

SUPV. U/G STRUCTURES COMMITTEE DATE

NOTE:
LOCATION OF UNDERGROUND STRUCTURES AS SHOWN ARE BASED ON THE BEST INFORMATION AVAILABLE BUT NO GUARANTEE IS GIVEN THAT ALL EXISTING UTILITIES ARE SHOWN OR THAT THE GIVEN LOCATIONS ARE EXACT. CONFIRMATION OF EXISTENCE AND EXACT LOCATION OF ALL SERVICES MUST BE OBTAINED FROM THE INDIVIDUAL UTILITIES BEFORE PROCEEDING WITH CONSTRUCTION.

B.M.	35-12		
ELEV.	232.476m		
NO.	REVISIONS	DATE	BY

Stantec Consulting Ltd.
905 Waverley Street, Winnipeg, Manitoba
Tel 204-489-5900 Fax 204-453-9012

DESIGNED BY	J.C	CHECKED BY	W.A.B.
DRAWN BY	D.L.	APPROVED BY	H.A.K.
HOR. SCALE:	1:500	RELEASED FOR CONSTRUCTION:	
VERTICAL:	N/A		
DATE	11.09.01	DATE	

ENGINEER'S SEAL

CONSULTANT DRAWING NO.
C-109

THE CITY OF WINNIPEG
WATER AND WASTE DEPARTMENT

2011 SEWER RENEWALS
AND EXTERNAL POINT REPAIRS
CONTRACT NO. 18
EDMONTON STREET
MH AT GRAHAM AV TO 2ND MH S OF GRAHAM AV
300 CS & 300 SRS POINT REPAIRS

SHEET	OF
16	58
CAD FILE DRAWING NUMBER 13090c-109-768.dwg	
CITY DRAWING NUMBER 9726	

V:\1112\active\111213090\drawing\402_design\sheet_files\13090c-109-768-Edmonton.dwg
2011 December 07, 9:12 a.m.