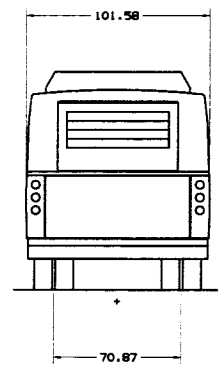
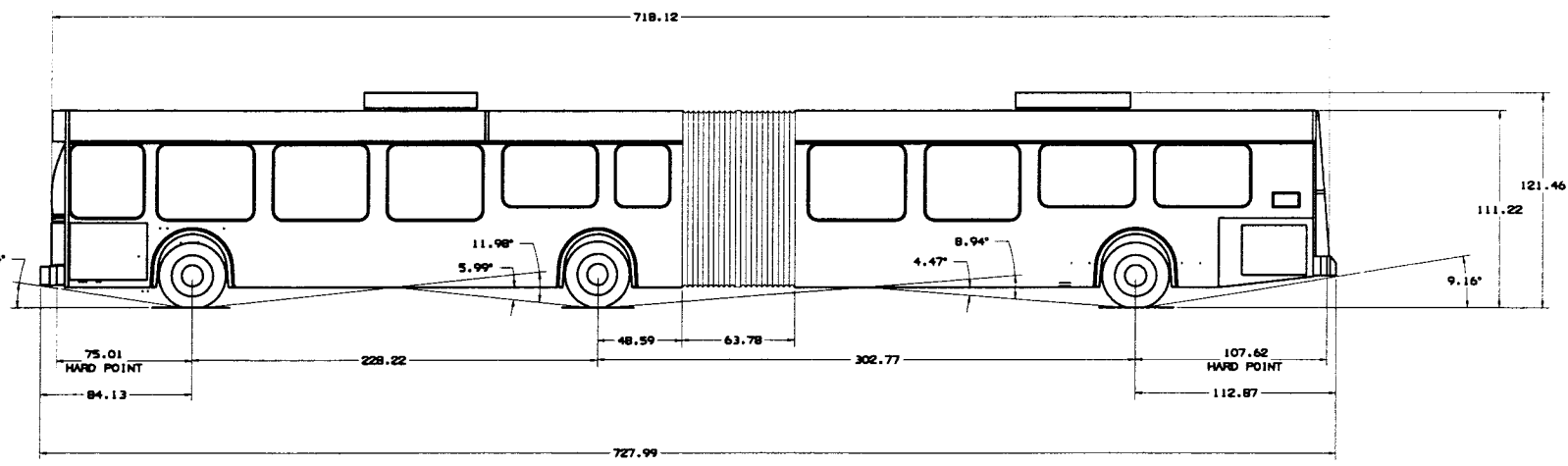
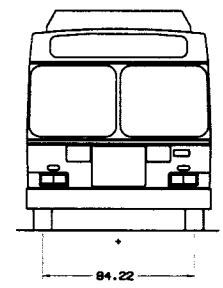
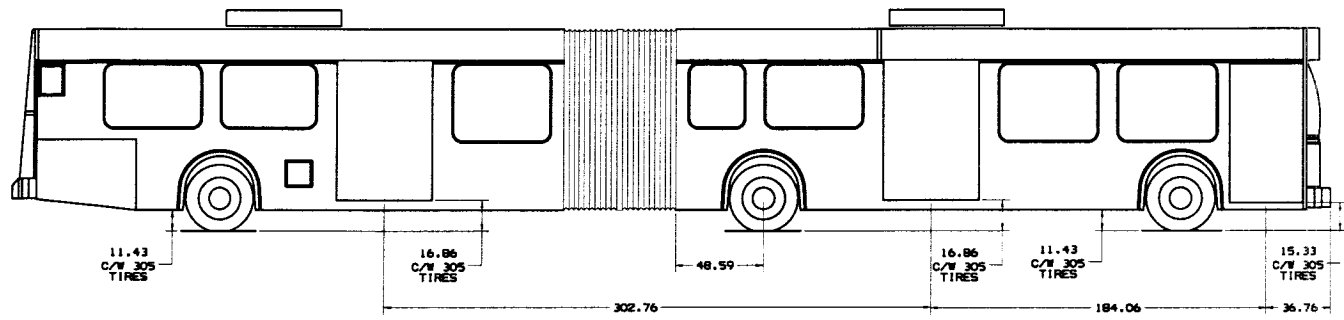

Appendix F – Typical Bus Dimensions

THIS DRAWING AND ITS SUBJECT MATTER ARE
 THE PROPERTY OF THE DRAWING OFFICE AND SHALL NOT BE
 LOANED TO OTHERS WITHOUT WRITTEN
 CONSENT OF RED PLYER INDUSTRIES LIMITED

DRAWING NO
 D60LFB



REV	REVISION	DRAWN	CHK'D	ENGR	RELEASE	DATE

NOTICE: THIS DRAWING IS A FACSIMILE OF
 THE ELECTRONIC MASTER. ALL REVISIONS
 MUST BE INCORPORATED ELECTRONICALLY.
 MANUAL REVISION IS NOT ALLOWED.

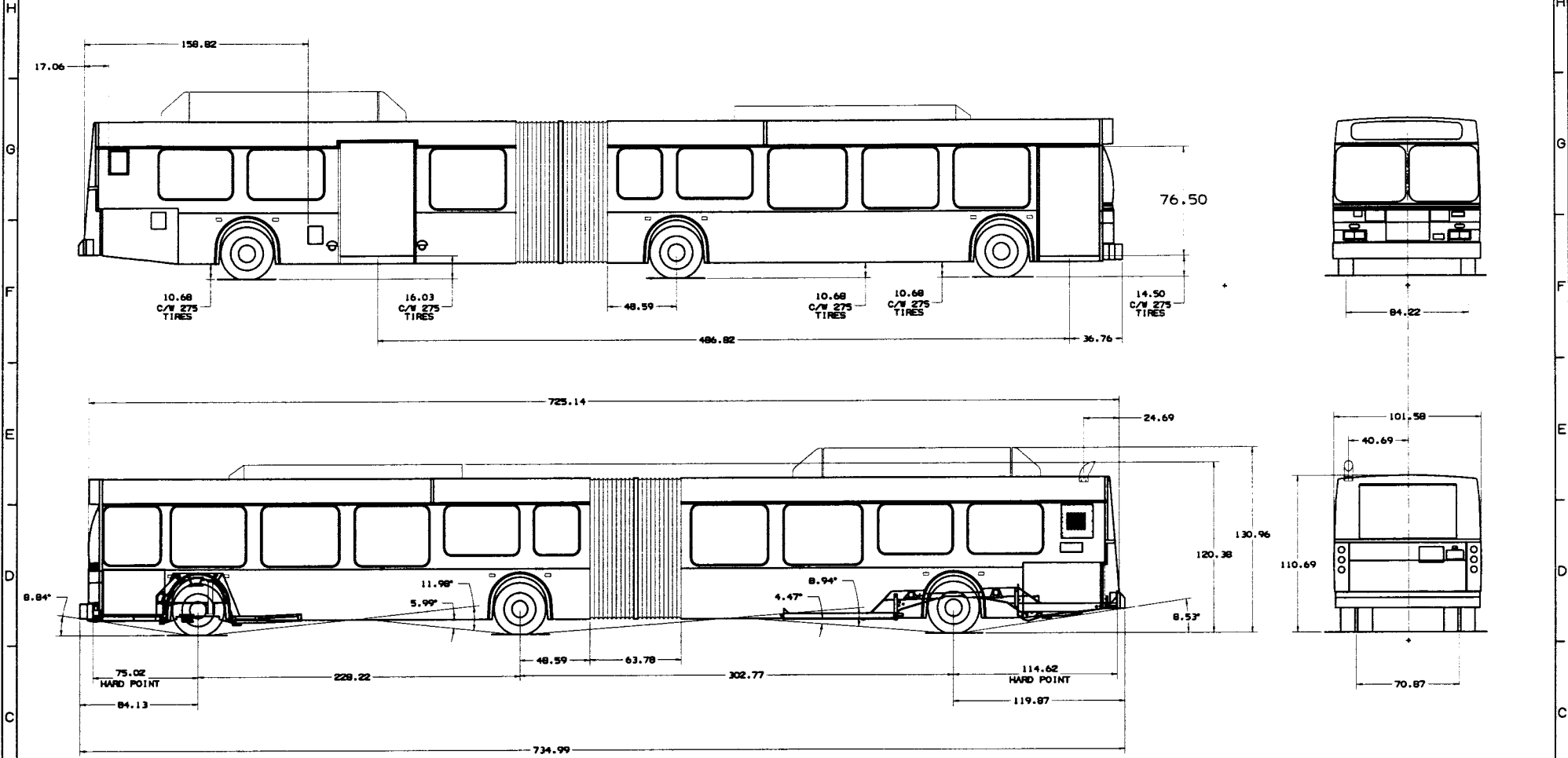
MATERIAL	QUANTITY	UNIT	BY	NAME	DATE	TITLE

REVISION	DATE	BY	DESCRIPTION

SCALE: 1:25	PART NO: D60LFB	SHEET 1 OF 3
-------------	-----------------	--------------

THIS DRAWING AND ITS SUBJECT MATTER ARE
 DRAWING IN CONFIDENCE. THEY ARE
 TO BE KEPT UNDER LOCK AND KEY AND NOT BE
 DISCLOSED TO OTHERS WITHOUT WRITTEN
 CONSENT OF REE FLYER INDUSTRIES LIMITED

DRAWING NO
 DE60LFB



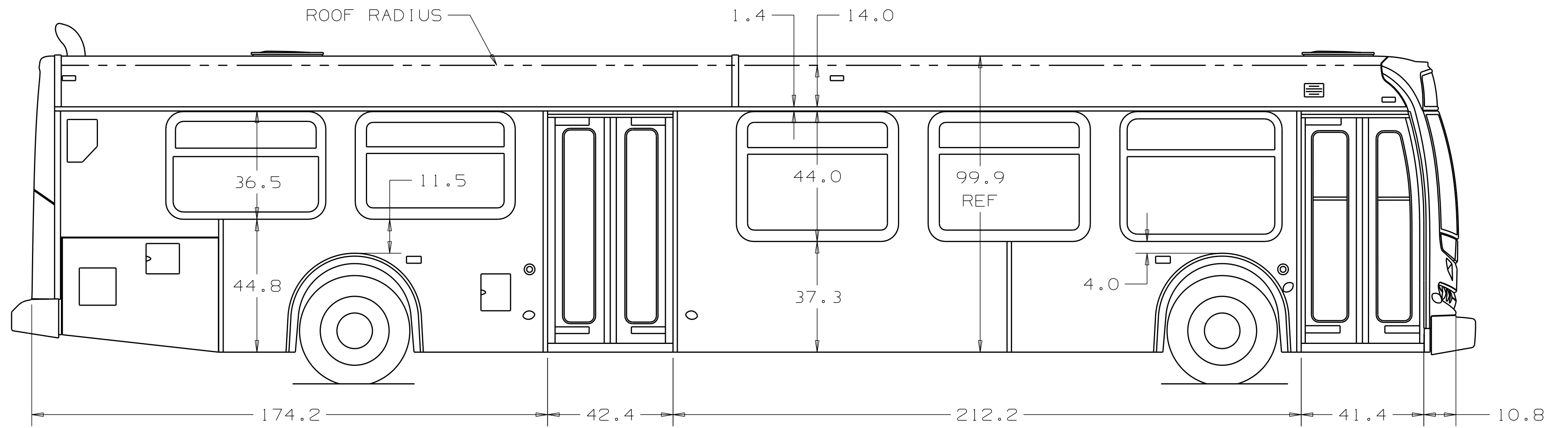
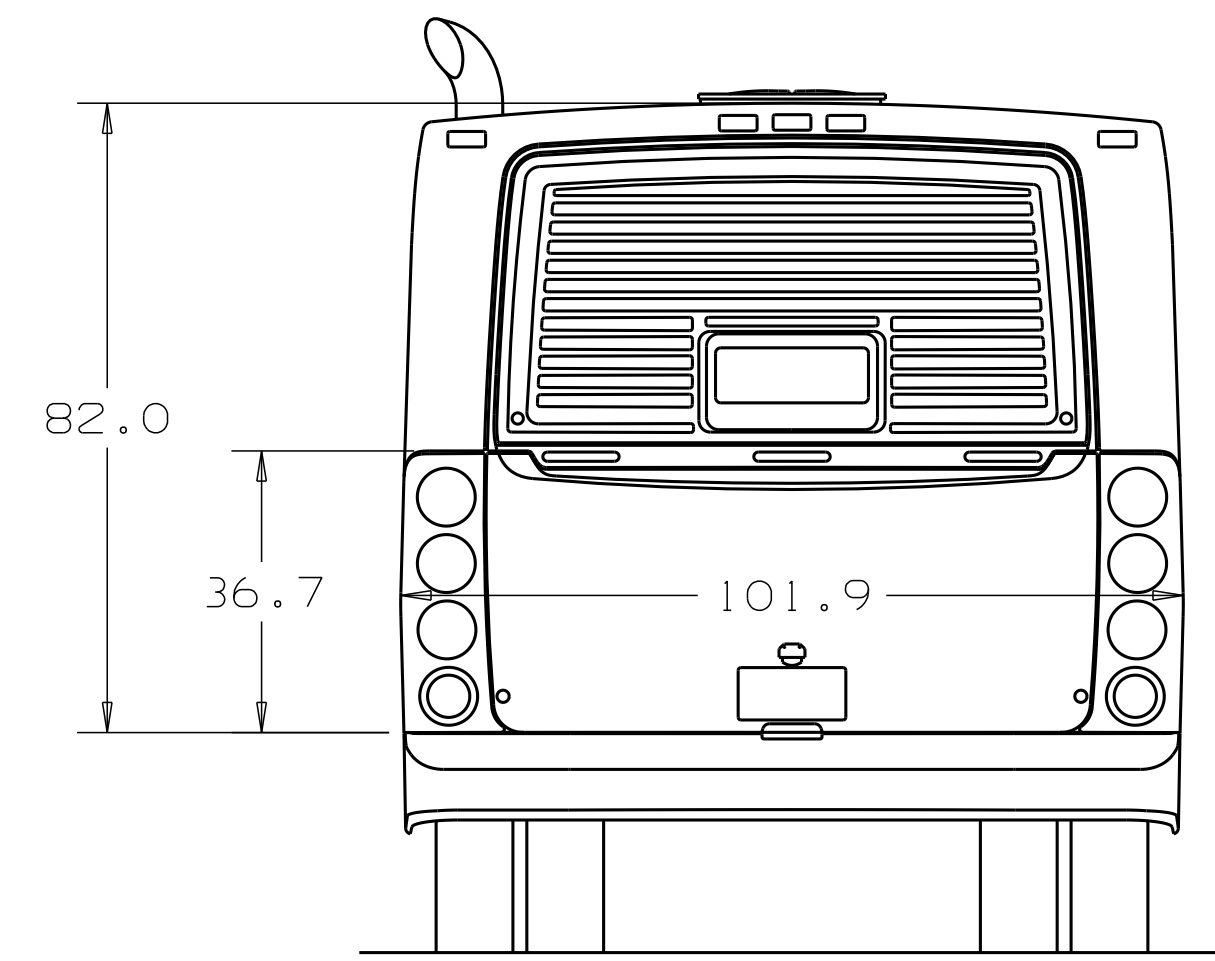
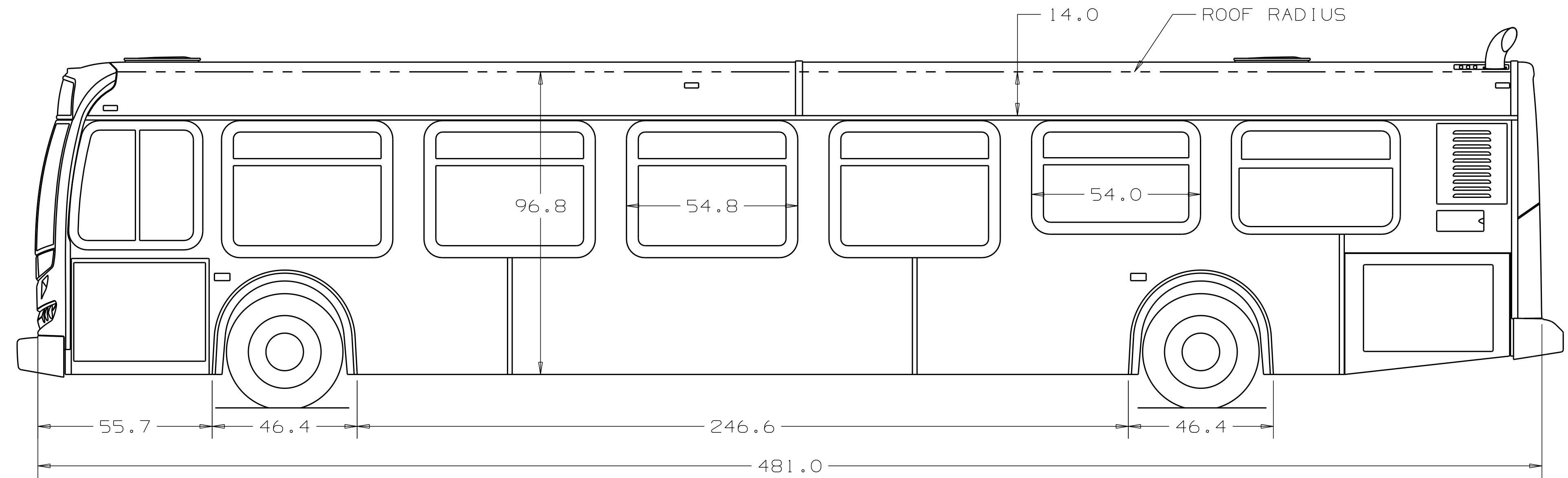
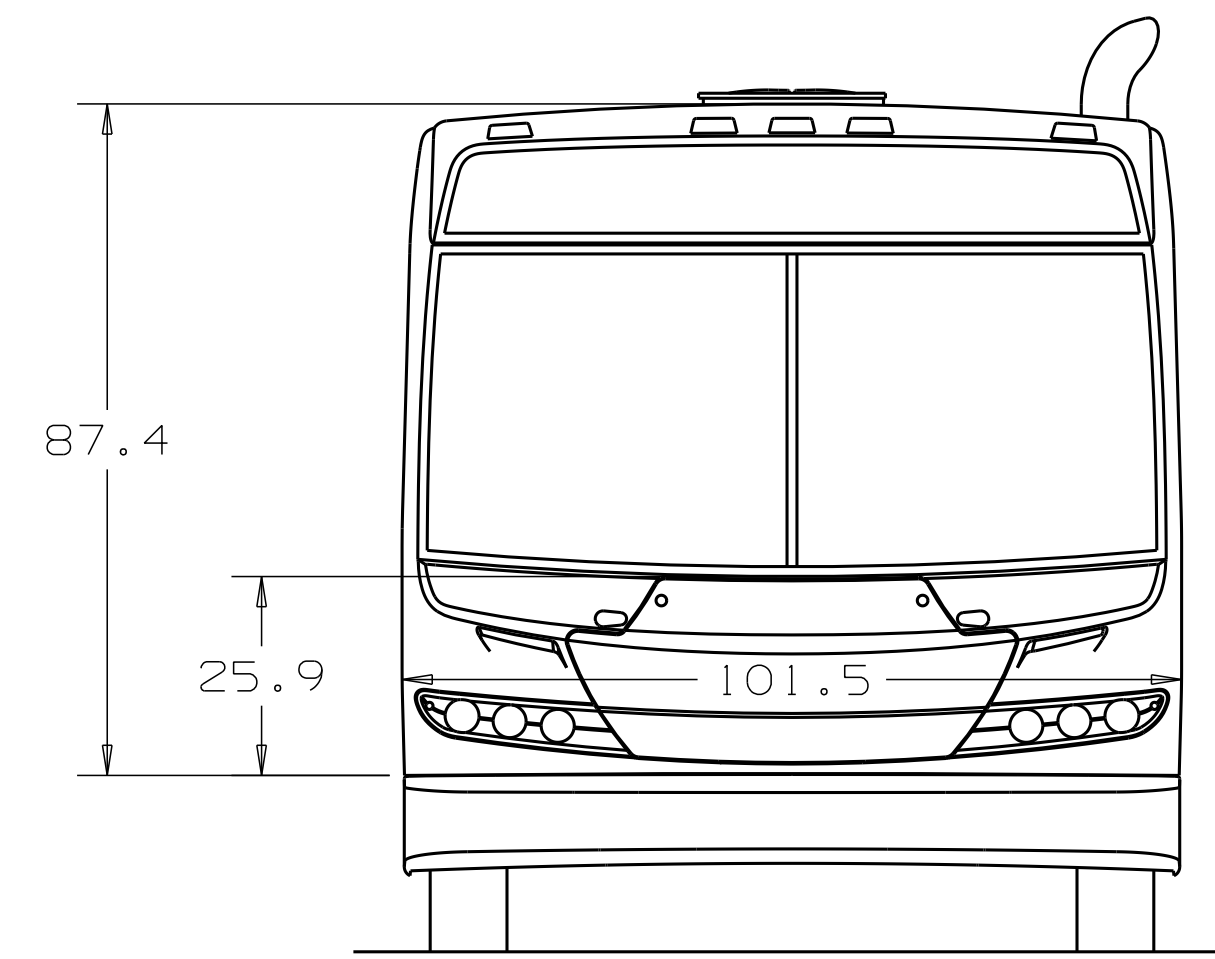
ADD 0.62 ±.25 INCHES TO ALL VERTICAL DIMENSIONS
 AND .65° TO ALL ANGLES
 WHEN USING 305 TIRES

SYM	REVISION	DRAWN	CHK'D	END'D	RELEASE	DATE


NOTICE: THIS DRAWING IS A FACSIMILE OF
 THE ELECTRONIC MASTER. ALL REVISIONS
 MUST BE INCORPORATED ELECTRONICALLY.
 MANUAL REVISION IS NOT ALLOWED.

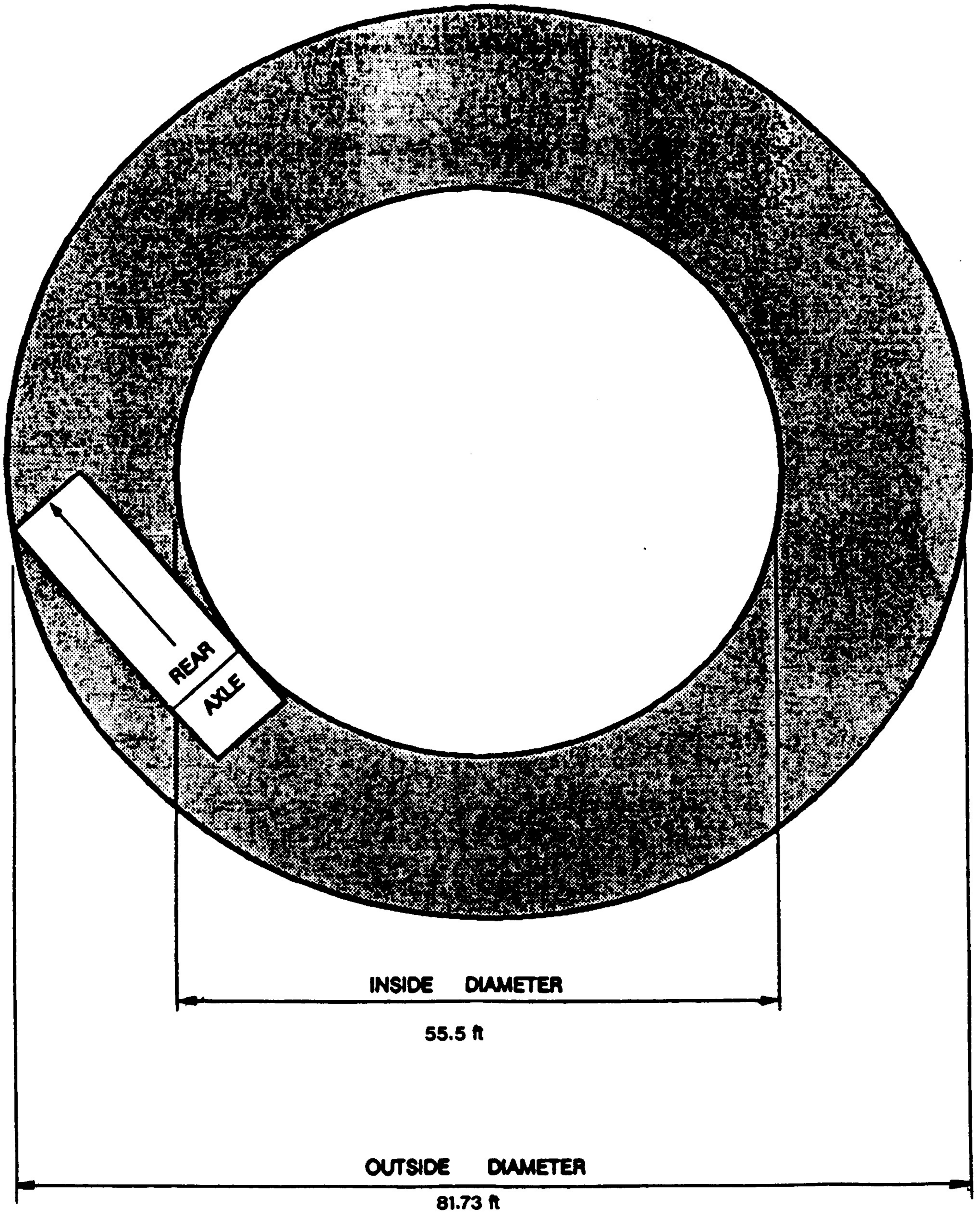
MATERIAL	QUANTITY	BY	NAME	DATE	TITLE
					DE60LFB
					PART NO
					DE60LFB
					SCALE: 1:25
					SHEET 1 OF 1

THIS DRAWING AND ITS SUBJECT MATTER ARE DISCLOSED IN CONFIDENCE, MUST BE RETURNED UPON REQUEST AND SHALL NOT BE DISCLOSED TO OTHERS WITHOUT WRITTEN CONSENT OF NEW FLYER INDUSTRIES INC.



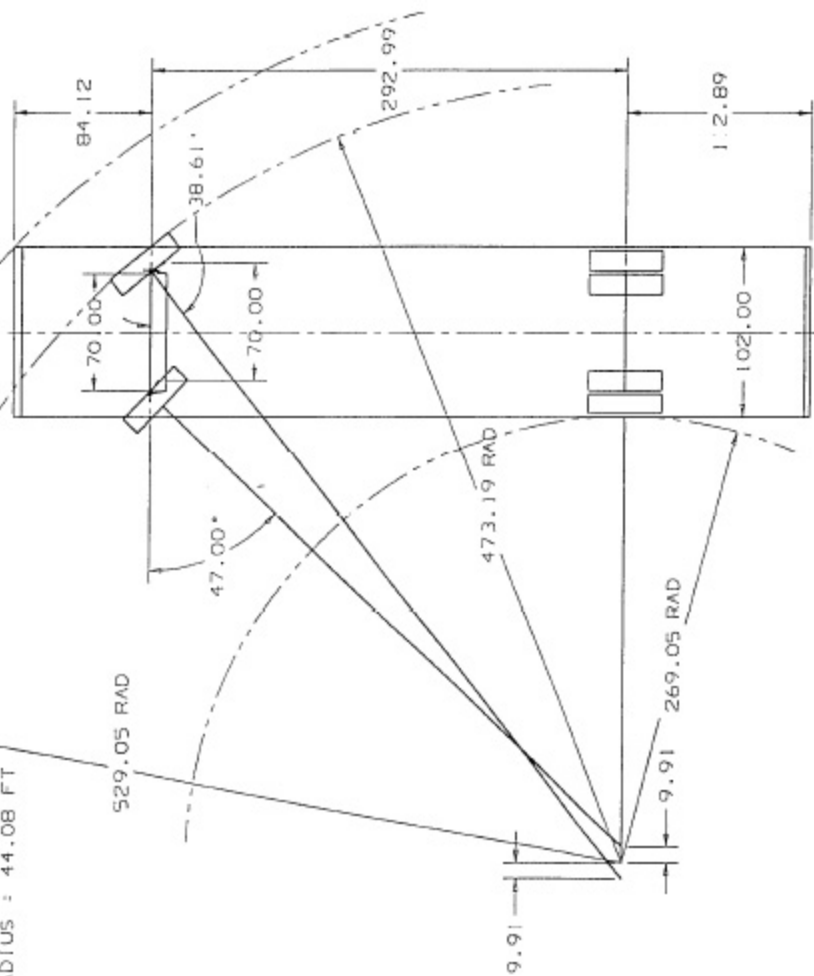
ALL DIMENSIONS ARE IN INCHES

TITLE BLANK LAYOUT WITH DIMENSIONS	
 NEW FLYER	MODEL D40LFR
SCALE 1:25	SHEET 1 OF 1

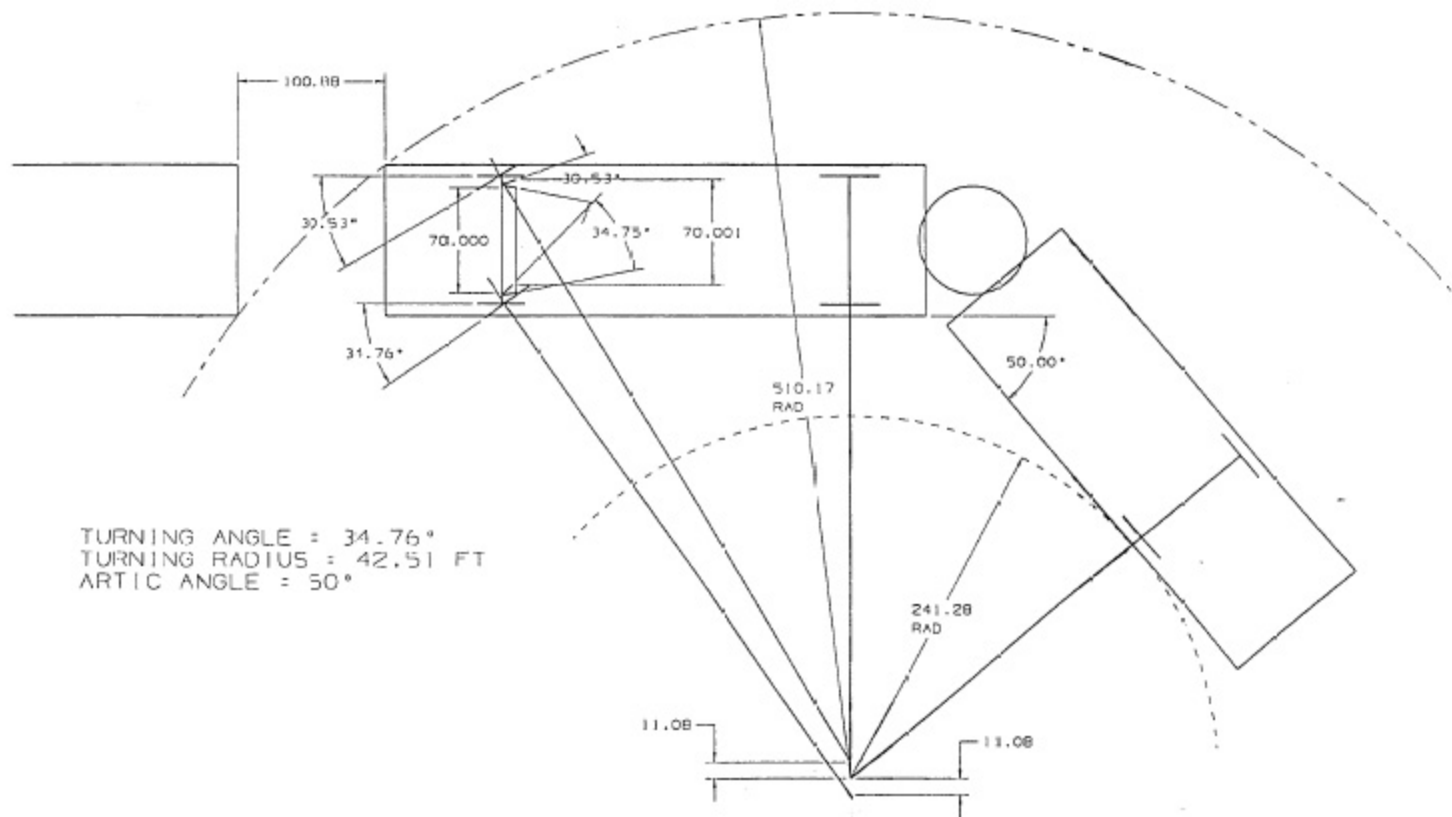


Turning Envelope For Model D40

COACH : 40 FT LOW FLOOR
MAX STEERING ANGLE : 47°
MAX TURNING RADIUS : 44.08 FT



60 FT LOW FLOOR ARTIC



TURNING ANGLE = 34.76°
 TURNING RADIUS = 42.51 FT
 ARTIC ANGLE = 50°