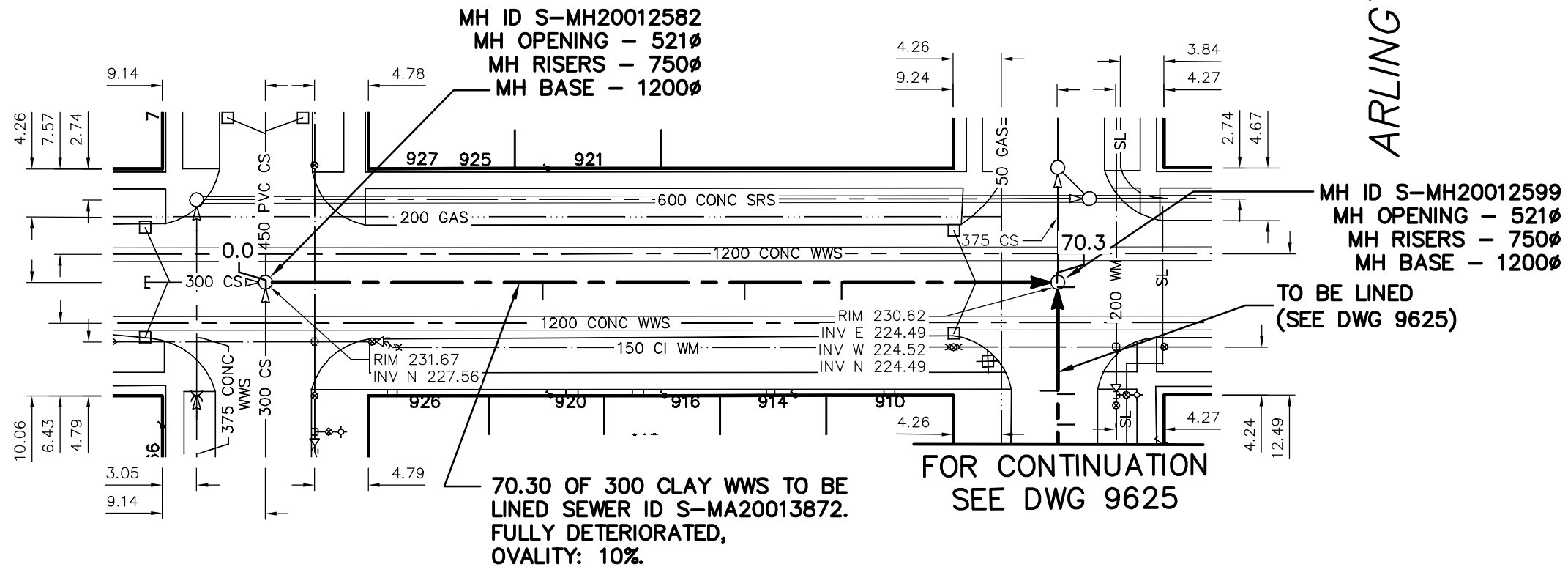


EVANSON ST

WOLSELEY AVENUE

ARLINGTON ST



WARNING

IF POWER EQUIPMENT OR EXPLOSIVES ARE TO BE USED FOR EXCAVATION ON THIS PROJECT THE CONTRACTOR MUST:

- 1) NOTIFY THE GAS COMPANY OF THE PROPOSED LOCATION OF EXCAVATION.
- 2) TAKE PRECAUTION TO AVOID DAMAGE TO GAS COMPANY INSTALLATIONS.

SEE PROVINCIAL REGULATION 210/72 FOR DETAILS

SEWER JUNCTION INFORMATION FROM SEWER VIDEO INSPECTION
SEWER ID S-MA20013872

DISTANCE FROM MH ID S-MH20012582				
DISTANCE	DIRECTION	DIAMETER	CLOCK	CODE
24.6	SOUTH	100	2	CNI
42.5	SOUTH	100	2	CXI
51.1	SOUTH	100	2	JX
63.0	NORTH	200	10	JN

METRIC

WHOLE NUMBERS INDICATE MILLIMETRES
DECIMALIZED NUMBERS INDICATE METRES



LOCATION APPROVED
UNDERGROUND STRUCTURES

SUPV. U/G STRUCTURES COMMITTEE DATE

NOTE:

LOCATION OF UNDERGROUND STRUCTURES AS SHOWN ARE BASED ON THE BEST INFORMATION AVAILABLE BUT NO GUARANTEE IS GIVEN THAT ALL EXISTING UTILITIES ARE SHOWN OR THAT THE GIVEN LOCATIONS ARE EXACT. CONFIRMATION OF EXISTENCE AND EXACT LOCATION OF ALL SERVICES MUST BE OBTAINED FROM THE INDIVIDUAL UTILITIES BEFORE PROCEEDING WITH CONSTRUCTION.

B.M. ELEV.			
CONSTRUCTION COMPLETION DATE: YYYY MM DD			
NO.	REVISIONS	DATE	BY

DESIGNED BY	SC	CHECKED BY	SC
DRAWN BY	RS/CJH	APPROVED BY	KZ
SCALE:	1:500	RELEASED FOR CONSTRUCTION	SIGNED BY K.R. ZUREK
HORIZONTAL			
VERTICAL			
DATE	2011 11 23	DATE	2011 11 23

ENGINEER'S SEAL

ORIGINAL SIGNED BY
S.R.J. COURNOYER
NOV. 21, 2011

CONSULTANT DRAWING NUMBER



THE CITY OF WINNIPEG
WATER AND WASTE DEPARTMENT
ENGINEERING DIVISION

2011 SEWER RENEWALS
BY CIPP LINING
WOLSELEY AVENUE
MH AT EVANSON STREET TO
MH AT ARLINGTON STREET

SHEET 93 OF 95

CITY DRAWING NUMBER

9766

PLOT DATE: 2011 11 24

BID OPPORTUNITY: 811-2011
CONTRACT NUMBER: 19

FILE PATH: R:\DRAWINGS\SEWER\2011_RENEWALS\2011_CIPP LININGS\CONTRACT 2\CIPP DRAWINGS\
FILE NAME: 9766.dwg