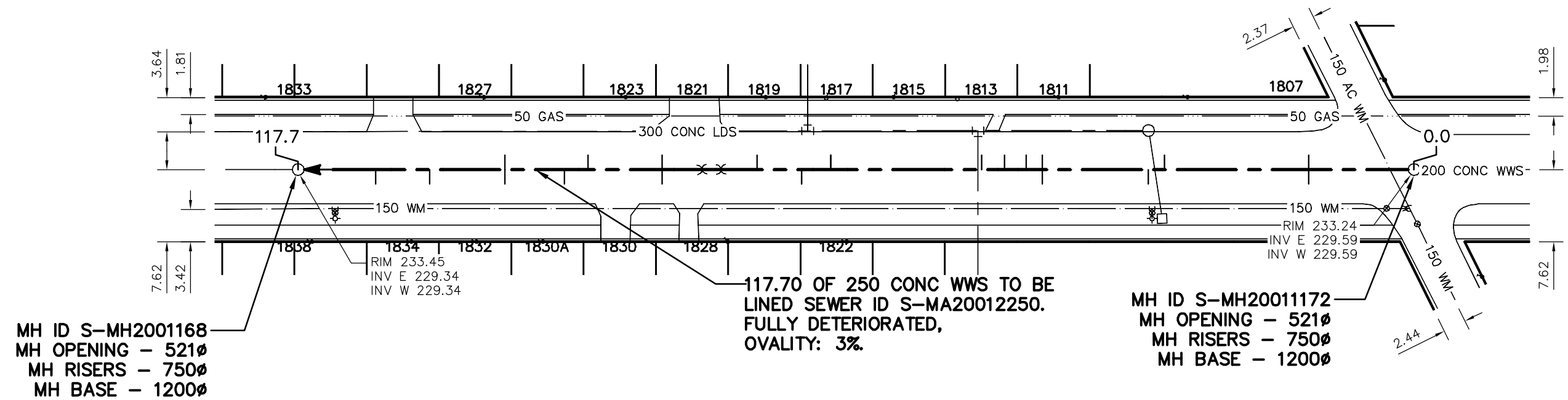
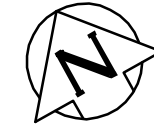


# WILLIAM AVENUE (WEST)



**MH ID S-MH2001168**  
 MH OPENING - 521Ø  
 MH RISERS - 750Ø  
 MH BASE - 1200Ø

**117.70 OF 250 CONC WWS TO BE LINED SEWER ID S-MA20012250. FULLY DETERIORATED, OVALITY: 3%.**

**MH ID S-MH2001172**  
 MH OPENING - 521Ø  
 MH RISERS - 750Ø  
 MH BASE - 1200Ø

SEWER JUNCTION INFORMATION FROM SEWER VIDEO INSPECTION				
SEWER ID S-MA20012250				
DISTANCE FROM MH ID S-MH2001168				
DISTANCE	DIRECTION	DIAMETER	CLOCK	CODE
8.2	SOUTH	100	1	CN
13.9	SOUTH	100	2	CN
21.8	TOP	100	12	CN
28.1	SOUTH	100	1	CN
30.6	NORTH	100	11	CN
38.4	TOP	100	12	CN
48.4	NORTH	100	11	CN
53.1	SOUTH	100	1	CN
56.2	NORTH	100	11	CNI
72.1	NORTH	100	10	CN
74.5	NORTH	100	11	CN
76.8	NORTH	100	10	CN

SEWER JUNCTION INFORMATION FROM SEWER VIDEO INSPECTION				
SEWER ID S-MA20012250				
DISTANCE FROM MH ID S-MH2001172				
DISTANCE	DIRECTION	DIAMETER	CLOCK	CODE
11.1	TOP	150	12	CN
26.3	NORTH	150	1	CN
28.0	SOUTH	150	11	CN
39.2	TOP	150	12	CN
****REVERSAL REQUIRED****				

### WARNING

IF POWER EQUIPMENT OR EXPLOSIVES ARE TO BE USED FOR EXCAVATION ON THIS PROJECT THE CONTRACTOR MUST:

- 1) NOTIFY THE GAS COMPANY OF THE PROPOSED LOCATION OF EXCAVATION.
- 2) TAKE PRECAUTION TO AVOID DAMAGE TO GAS COMPANY INSTALLATIONS.

SEE PROVINCIAL REGULATION 210/72 FOR DETAILS

**METRIC**  
 WHOLE NUMBERS INDICATE MILLIMETRES  
 DECIMALIZED NUMBERS INDICATE METRES



LOCATION APPROVED  
 UNDERGROUND STRUCTURES

SUPV. U/G STRUCTURES COMMITTEE DATE

NOTE:

LOCATION OF UNDERGROUND STRUCTURES AS SHOWN ARE BASED ON THE BEST INFORMATION AVAILABLE BUT NO GUARANTEE IS GIVEN THAT ALL EXISTING UTILITIES ARE SHOWN OR THAT THE GIVEN LOCATIONS ARE EXACT. CONFIRMATION OF EXISTENCE AND EXACT LOCATION OF ALL SERVICES MUST BE OBTAINED FROM THE INDIVIDUAL UTILITIES BEFORE PROCEEDING WITH CONSTRUCTION.

B.M. ELEV.	
CONSTRUCTION COMPLETION DATE: YYYY MM DD	
NO.	REVISIONS

DESIGNED BY	SC	CHECKED BY	SC
DRAWN BY	CJH	APPROVED BY	KZ
SCALE:		RELEASED FOR CONSTRUCTION	
HORIZONTAL		<b>SIGNED BY K.R. ZUREK</b>	
VERTICAL		DATE	2011 11 23
DATE	2011 11 23	DATE	2011 11 23

ENGINEER'S SEAL  
 ORIGINAL SIGNED BY  
**S.R.J. COURNOYER**  
 NOV. 21, 2011

CONSULTANT DRAWING NUMBER  
 -



**THE CITY OF WINNIPEG**  
 WATER AND WASTE DEPARTMENT  
 ENGINEERING DIVISION

2011 SEWER RENEWALS  
 BY CIPP LINING  
**WILLIAM AVENUE (WEST)**  
 1ST MH W OF KEEWATIN STREET TO  
 2ND MH W OF KEEWATIN STREET

SHEET **91** OF **95**  
 CITY DRAWING NUMBER  
**9709**