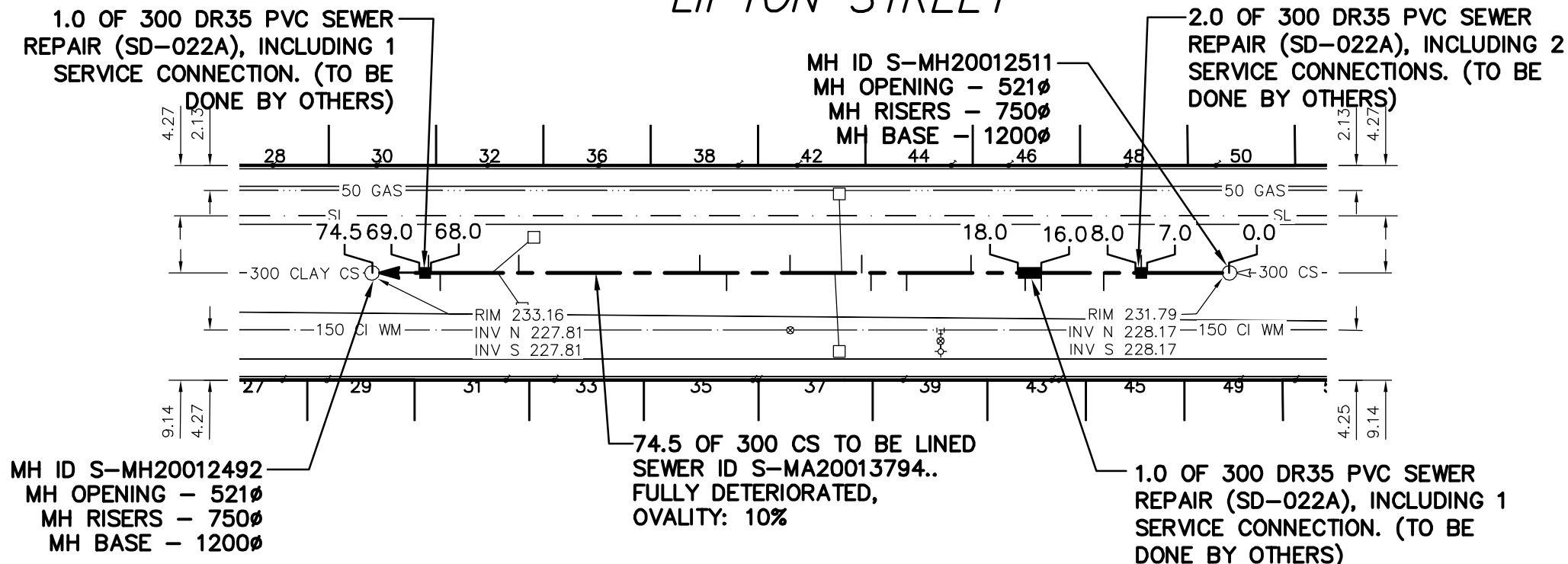
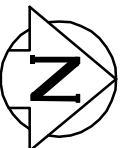


# LIPTON STREET



SEWER JUNCTION INFORMATION FROM SEWER VIDEO INSPECTION  
SEWER ID S-MA20013794

DISTANCE FROM MH ID S-MH20012511

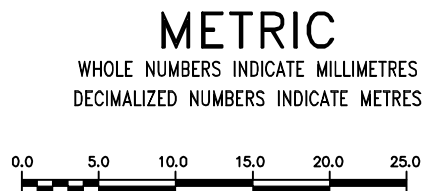
DISTANCE	DIRECTION	DIAMETER	CLOCK	CODE
7.5	WEST	100	2	CX
10.7	EAST	100	11	CNI
16.0	EAST	150	10	CXI
17.4	EAST	150	10	CXI
22.0	WEST	100	2	JX
27.5	EAST	100	10	JX
30.5	EAST	100	10	JX
31.3	WEST	100	2	JX
33.0	WEST	200	2	JN
33.6	EAST	150	10	JN
37.4	WEST	100	2	JN
42.8	EAST	100	10	JX
45.1	WEST	100	2	JN
60.5	WEST	100	2	JX
62.3	EAST	150	11	CN
62.8	WEST	150	2	CNI
67.2	EAST	100	10	JX
68.2	WEST	100	2	JX

**WARNING**

IF POWER EQUIPMENT OR EXPLOSIVES ARE TO BE USED FOR EXCAVATION ON THIS PROJECT THE CONTRACTOR MUST:

- 1) NOTIFY THE GAS COMPANY OF THE PROPOSED LOCATION OF EXCAVATION.
- 2) TAKE PRECAUTION TO AVOID DAMAGE TO GAS COMPANY INSTALLATIONS.

SEE PROVINCIAL REGULATION 210/72 FOR DETAILS



<p style="text-align: center;">LOCATION APPROVED UNDERGROUND STRUCTURES</p> <p>SUPV. U/G STRUCTURES COMMITTEE _____ DATE _____</p> <p>NOTE: LOCATION OF UNDERGROUND STRUCTURES AS SHOWN ARE BASED ON THE BEST INFORMATION AVAILABLE BUT NO GUARANTEE IS GIVEN THAT ALL EXISTING UTILITIES ARE SHOWN OR THAT THE GIVEN LOCATIONS ARE EXACT. CONFIRMATION OF EXISTENCE AND EXACT LOCATION OF ALL SERVICES MUST BE OBTAINED FROM THE INDIVIDUAL UTILITIES BEFORE PROCEEDING WITH CONSTRUCTION.</p>	<p>B.M. ELEV. _____</p> <p>CONSTRUCTION COMPLETION DATE: YYYY MM DD _____</p>	<table border="1" style="width: 100%; border-collapse: collapse;"> <tr> <td>DESIGNED BY</td> <td>SC</td> <td>CHECKED BY</td> <td>SC</td> </tr> <tr> <td>DRAWN BY</td> <td>RS</td> <td>APPROVED BY</td> <td>KZ</td> </tr> <tr> <td>SCALE:</td> <td rowspan="2" style="text-align: center;">1:500</td> <td>RELEASED FOR CONSTRUCTION</td> <td></td> </tr> <tr> <td>HORIZONTAL</td> <td colspan="2" style="text-align: center;"><b>SIGNED BY K.R. ZUREK</b></td> </tr> <tr> <td>VERTICAL</td> <td></td> <td>DATE</td> <td>2011 11 23</td> </tr> </table>	DESIGNED BY	SC	CHECKED BY	SC	DRAWN BY	RS	APPROVED BY	KZ	SCALE:	1:500	RELEASED FOR CONSTRUCTION		HORIZONTAL	<b>SIGNED BY K.R. ZUREK</b>		VERTICAL		DATE	2011 11 23	<p style="text-align: center;">ENGINEER'S SEAL</p> <p style="text-align: center;"><b>ORIGINAL SIGNED BY S.R.J. COURNOYER NOV. 21, 2011</b></p> <p>CONSULTANT DRAWING NUMBER _____</p>	<p style="font-size: 1.2em; font-weight: bold;">THE CITY OF WINNIPEG</p> <p style="font-weight: bold;">WATER AND WASTE DEPARTMENT ENGINEERING DIVISION</p> <p style="font-weight: bold;">2011 SEWER RENEWALS BY CIPP LINING LIPTON STREET</p> <p style="font-weight: bold;">2ND MH N OF PALMERSTON AVENUE TO 1ST MH N OF PALMERSTON AVENUE</p>	<p>SHEET <b>44</b> OF <b>95</b></p> <p>CITY DRAWING NUMBER</p> <p style="font-size: 1.5em; font-weight: bold;">9661</p>
DESIGNED BY	SC	CHECKED BY	SC																					
DRAWN BY	RS	APPROVED BY	KZ																					
SCALE:	1:500	RELEASED FOR CONSTRUCTION																						
HORIZONTAL		<b>SIGNED BY K.R. ZUREK</b>																						
VERTICAL		DATE	2011 11 23																					
<table border="1" style="width: 100%; border-collapse: collapse;"> <thead> <tr> <th>NO.</th> <th>REVISIONS</th> <th>DATE</th> <th>BY</th> </tr> </thead> <tbody> <tr><td> </td><td> </td><td> </td><td> </td></tr> <tr><td> </td><td> </td><td> </td><td> </td></tr> <tr><td> </td><td> </td><td> </td><td> </td></tr> </tbody> </table>		NO.	REVISIONS	DATE	BY													<p>PLOT DATE: 2011 11 23</p>		<p style="font-size: 0.8em;">BID OPPORTUNITY: 811-2011 CONTRACT NUMBER: 19</p> <p style="font-size: 0.8em;">FILE PATH: R:\DRAWINGS\SEWER\2011_RENEWALS\2011_CIPP LININGS\CONTRACT 2\CIPP DRAWINGS\ FILE NAME: 9661.dwg</p>				
NO.	REVISIONS	DATE	BY																					