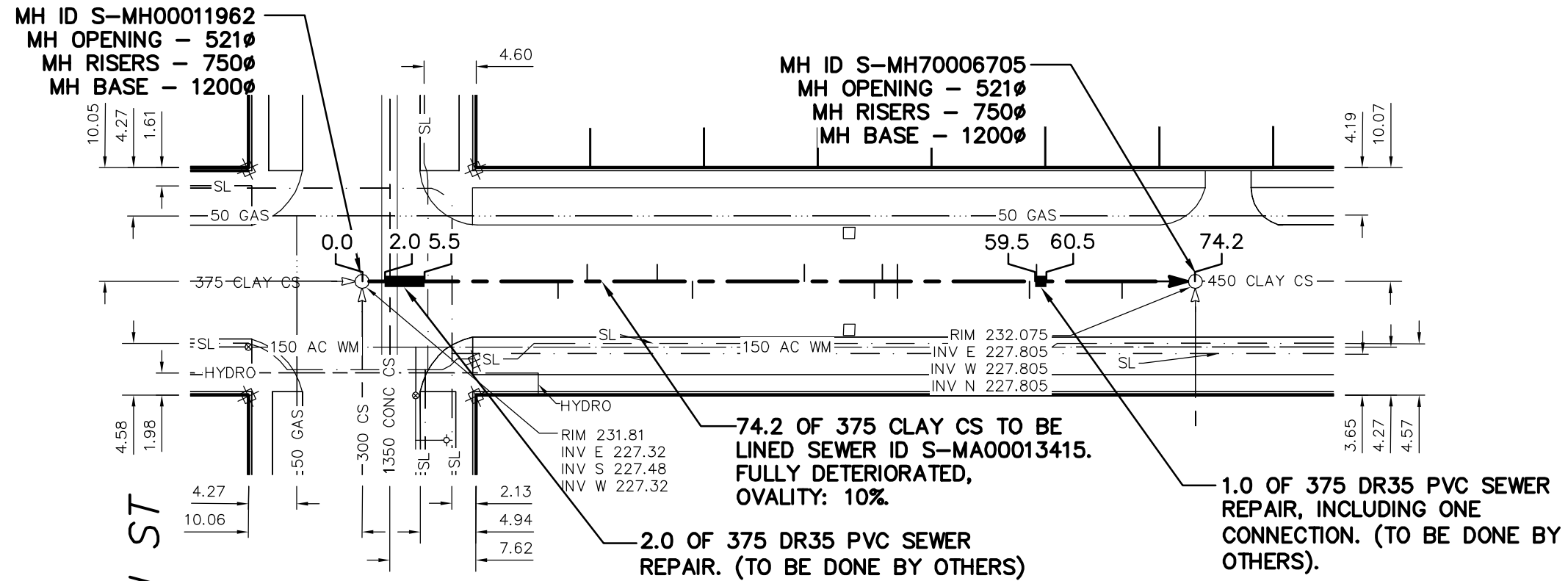


FLORA AVENUE



SEWER JUNCTION INFORMATION FROM SEWER VIDEO INSPECTION
SEWER ID S-MA00013415

DISTANCE FROM MH ID S-MH00011962				
DISTANCE	DIRECTION	DIAMETER	CLOCK	CODE
17.3	SOUTH	150	10	JX
19.9	NORTH	150	1	CXI
26.1	NORTH	150	2	CN
29.2	SOUTH	150	10	JN
39.1	NORTH	150	1	CNI
45.3	SOUTH	250	10	JX
46.0	NORTH	150	1	JX
47.3	NORTH	150	2	JN
47.3	SOUTH	150	10	JX
59.0	SOUTH	150	11	JX
59.6	NORTH	150	1	JN
67.2	SOUTH	150	11	JN

WARNING

IF POWER EQUIPMENT OR EXPLOSIVES ARE TO BE USED FOR EXCAVATION ON THIS PROJECT THE CONTRACTOR MUST:

- 1) NOTIFY THE GAS COMPANY OF THE PROPOSED LOCATION OF EXCAVATION.
- 2) TAKE PRECAUTION TO AVOID DAMAGE TO GAS COMPANY INSTALLATIONS.

SEE PROVINCIAL REGULATION 210/72 FOR DETAILS

METRIC

WHOLE NUMBERS INDICATE MILLIMETRES
DECIMALIZED NUMBERS INDICATE METRES



LOCATION APPROVED
UNDERGROUND STRUCTURES

SUPV. U/G STRUCTURES COMMITTEE DATE

NOTE:

LOCATION OF UNDERGROUND STRUCTURES AS SHOWN ARE BASED ON THE BEST INFORMATION AVAILABLE BUT NO GUARANTEE IS GIVEN THAT ALL EXISTING UTILITIES ARE SHOWN OR THAT THE GIVEN LOCATIONS ARE EXACT. CONFIRMATION OF EXISTENCE AND EXACT LOCATION OF ALL SERVICES MUST BE OBTAINED FROM THE INDIVIDUAL UTILITIES BEFORE PROCEEDING WITH CONSTRUCTION.

B.M. ELEV.	
CONSTRUCTION COMPLETION DATE: YYYY MM DD	
NO.	REVISIONS
	DATE
	BY

DESIGNED BY	SC	CHECKED BY	SC
DRAWN BY	RS	APPROVED BY	KZ
SCALE:		RELEASED FOR CONSTRUCTION	
HORIZONTAL	1:500	SIGNED BY K.R. ZUREK	
VERTICAL		DATE	2011 11 23

ENGINEER'S SEAL
ORIGINAL SIGNED BY S.R.J. COURNOYER NOV. 21, 2011

CONSULTANT DRAWING NUMBER
DATE **2011 11 23**



THE CITY OF WINNIPEG
WATER AND WASTE DEPARTMENT
ENGINEERING DIVISION

2011 SEWER RENEWALS
BY CIPP LINING
FLORA AVENUE
MH AT ROBINSON STREET (CL) TO
1ST MH E OF ROBINSON STREET

SHEET **24** OF **95**
CITY DRAWING NUMBER
9641

PLOT DATE: 2011 11 23

BID OPPORTUNITY: 811-2011
CONTRACT NUMBER: 19

FILE PATH: R:\DRAWINGS\SEWER\2011_RENEWALS\2011 CIPP LININGS\CONTRACT 2\CIPP DRAWINGS\
FILE NAME: 9641.dwg