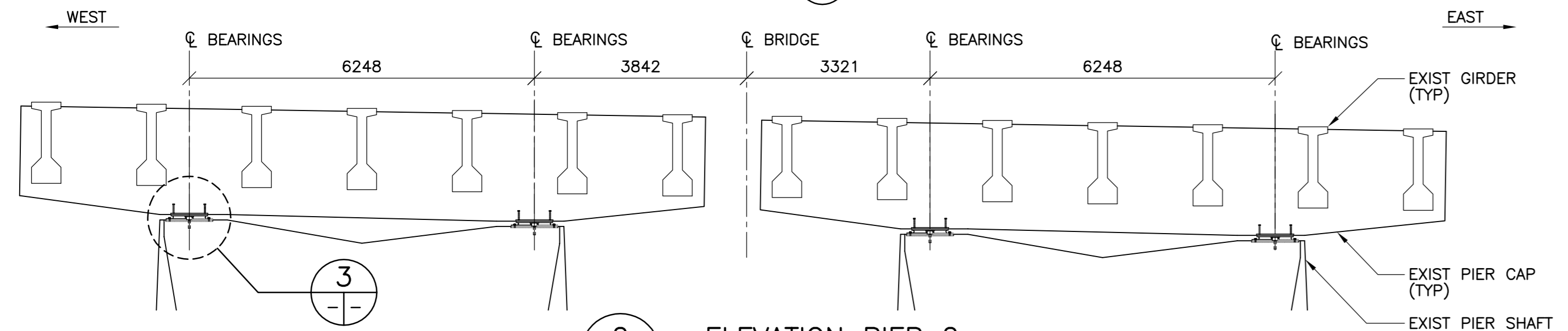
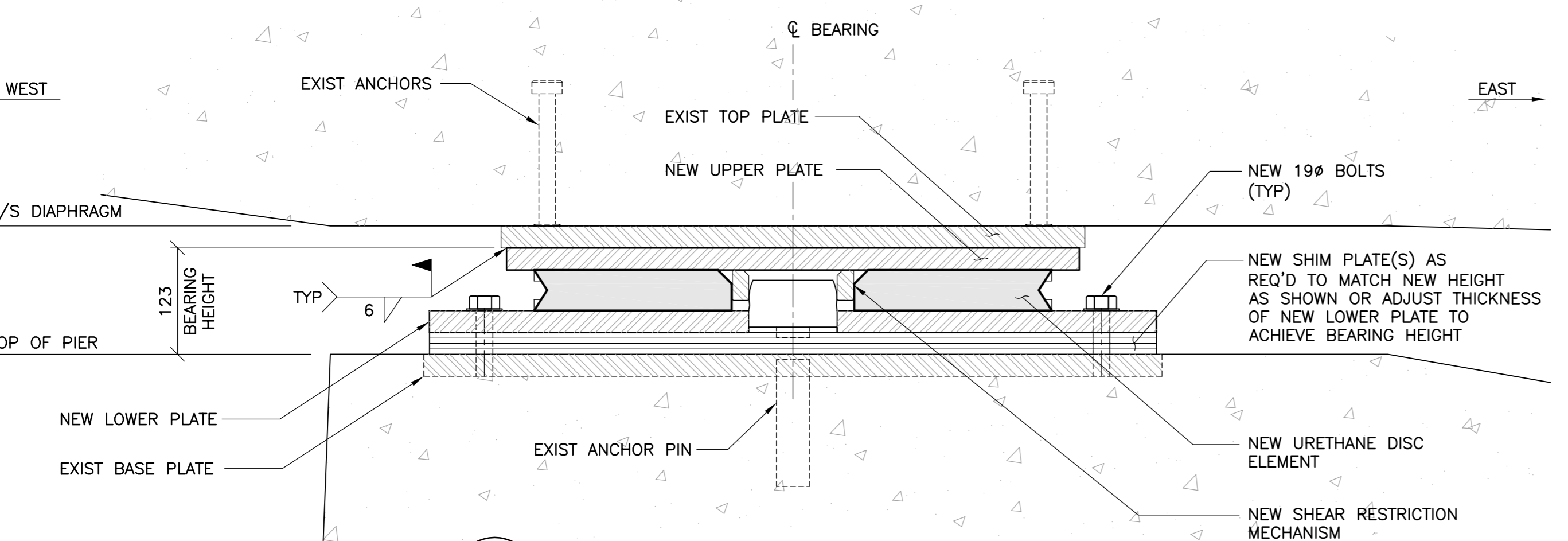


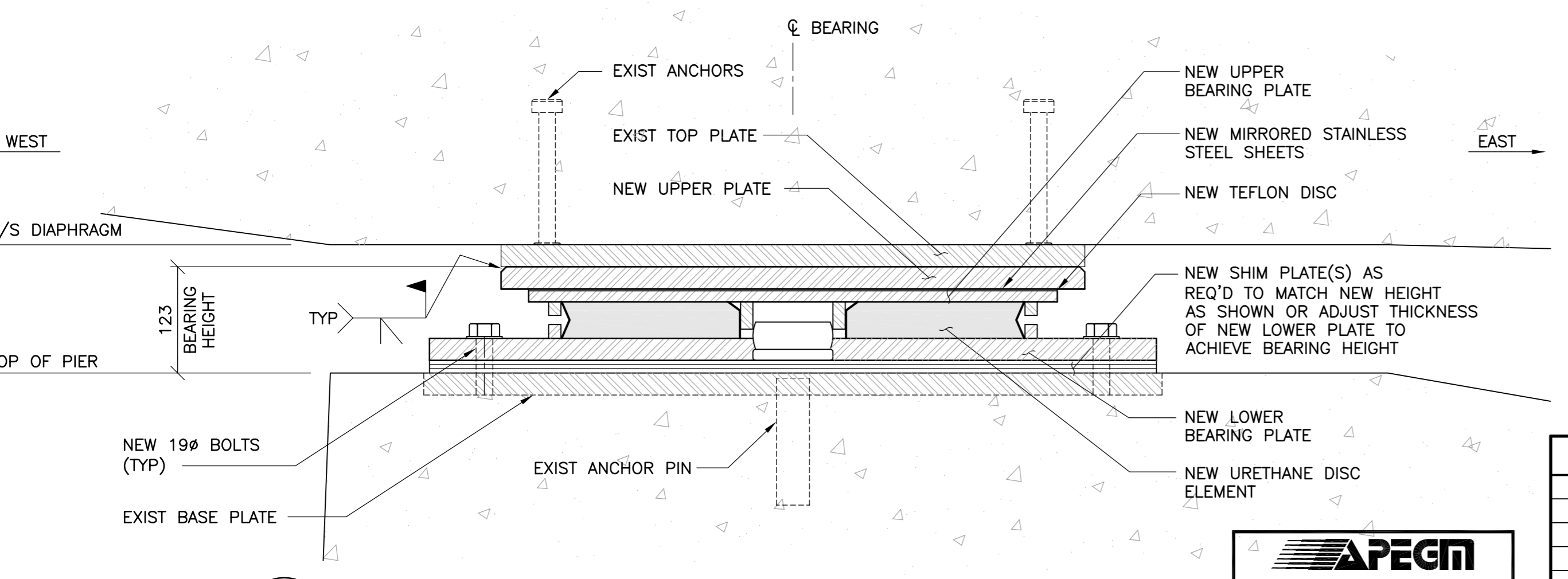
**1 BEARING LAYOUT - PIER 2**  
 1 : 75  
 - SHOWING BASE PLATE ON TOP OF PIER  
 - NEW MULTI DIRECTIONAL BEARINGS  
 - FIXED BEARINGS



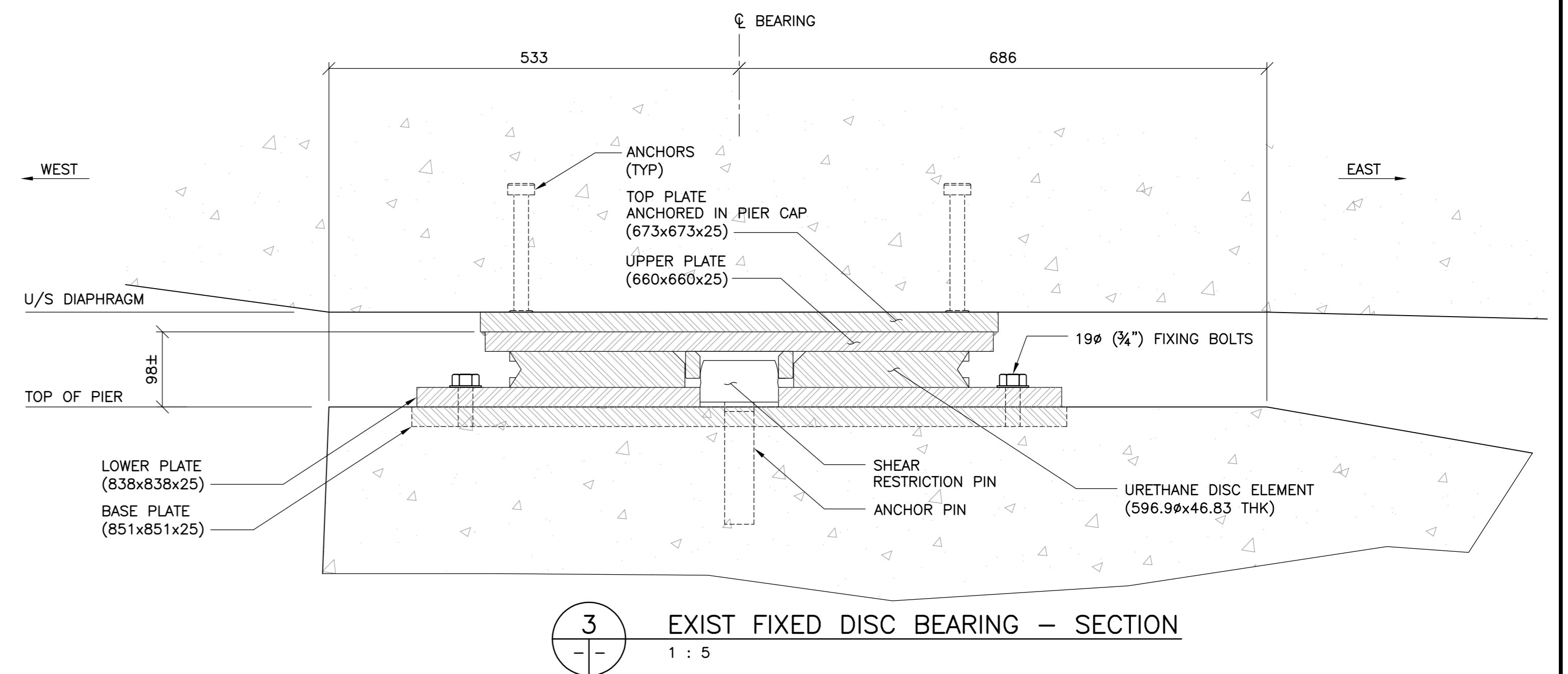
**2 ELEVATION PIER 2**  
 1 : 75  
 - LOOKING NORTH



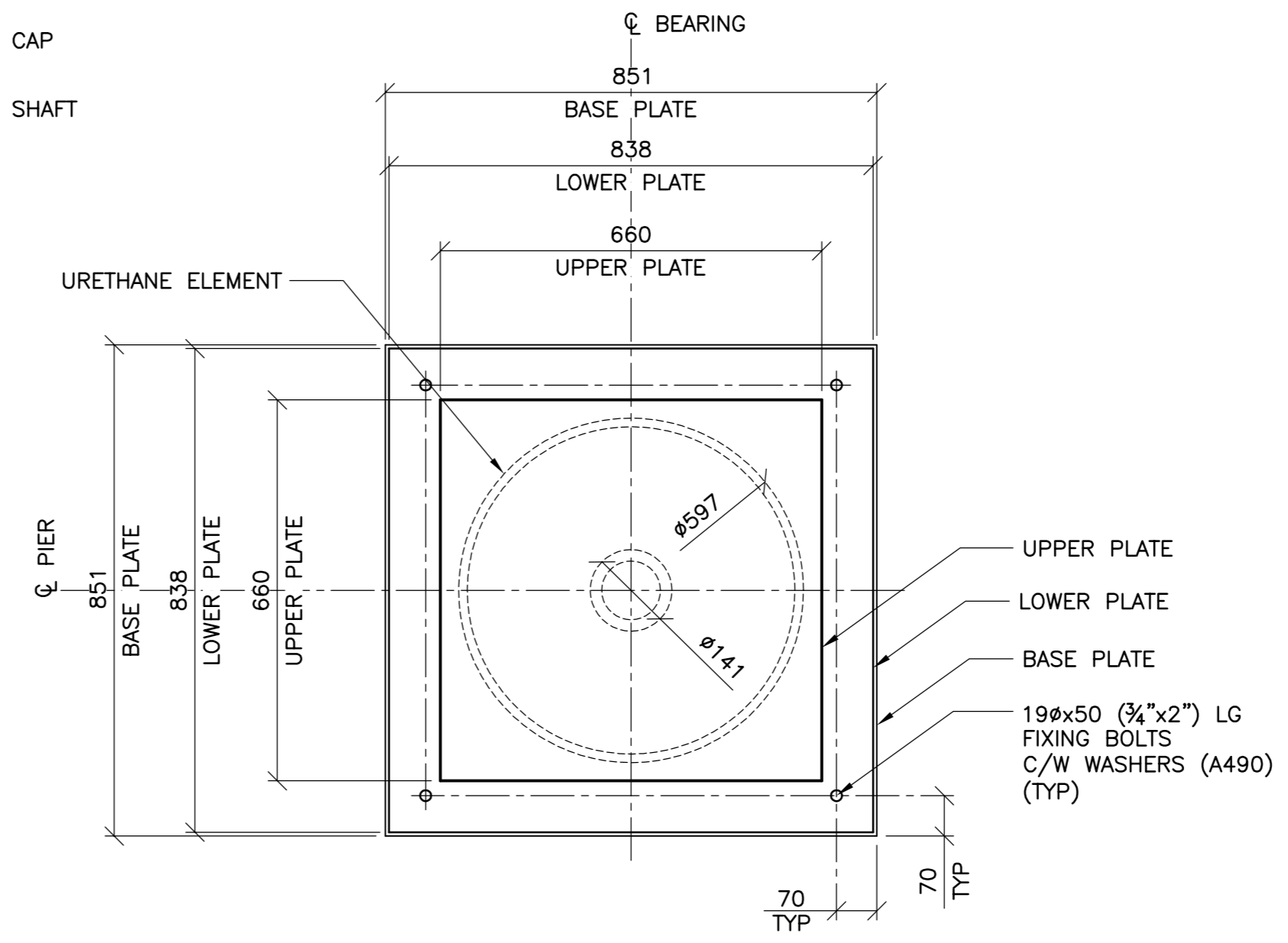
**3 NEW FIXED DISC BEARING - SECTION**  
 1 : 5  
 - U/S OF DIAPHRAGM TO BE RAISED 25 mm  
 - EXISTING TOP PLATE AND BASE PLATE TO BE SHOT BLASTED AND COATED WITH 6 mil OF ZINC METALIZING



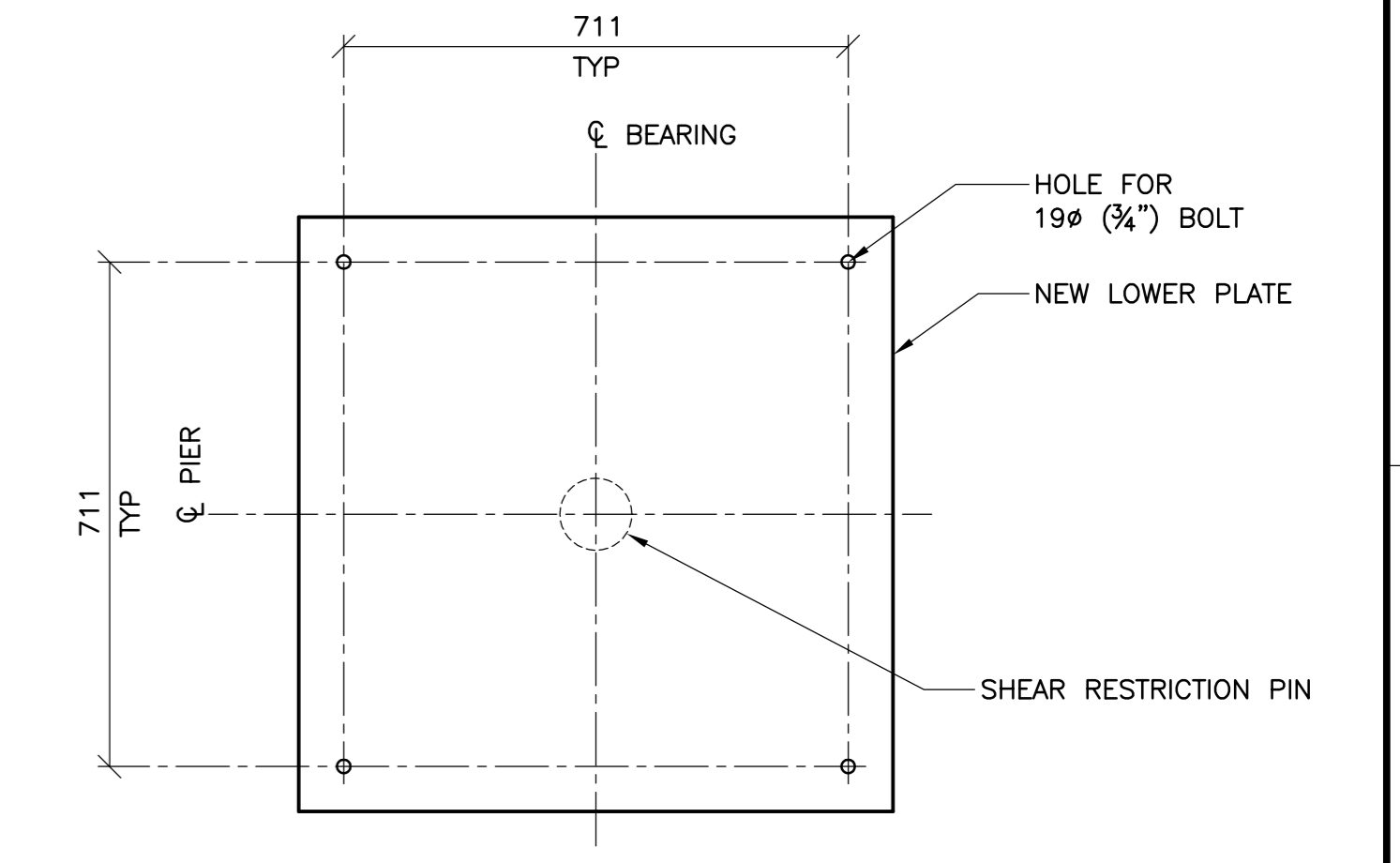
**4 NEW MULTI DIRECTIONAL DISC BEARING - SECTION**  
 1 : 5



**5 EXIST FIXED DISC BEARING - SECTION**  
 1 : 5



**6 EXIST FIXED DISC BEARING - PLAN**  
 1 : 10

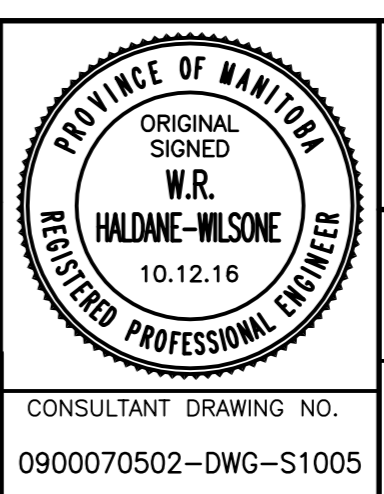


**7 BOLT PATTERN FOR NEW LOWER PLATE**  
 1 : 10  
 - BEARING SUPPLIER TO UTILIZE EXISTING BOLT PATTERN FOR NEW FIXING BOLTS AND BEARING DESIGN  
 - OVERSIZE NEW FIXING BOLT HOLES BY 2mm IN NEW LOWER PLATE



B.M. ELEV.	F.B.	DATE	BY
00	ISSUED FOR TENDER	10.12.16	RHW
	NO. REVISIONS	DATE	BY

<b>WARDROP</b> ATETRA TECH COMPANY	
DESIGNED BY: R.H.W.	CHECKED BY: R.H.W.
DRAWN BY: G.I.	APPROVED BY: C.D.S.
HOR. SCALE: AS NOTED	RELEASED FOR CONSTRUCTION DATE: 10.12.17
VERTICAL: AS NOTED	ORIGINAL SIGNED: 10.12.17
MATT SHREVEY, P.ENG. BRIDGE PROJECTS ENGINEER	



<b>THE CITY OF WINNIPEG</b> PUBLIC WORKS DEPARTMENT ENGINEERING DIVISION	
<b>OSBORNE STREET BRIDGE</b> SUPPLY, FABRICATION, & DELIVERY OF BEARINGS	
PIER 2 - BEARING DETAILS	
CITY DRAWING NUMBER B109-11-005 SHEET 5 OF 5	5