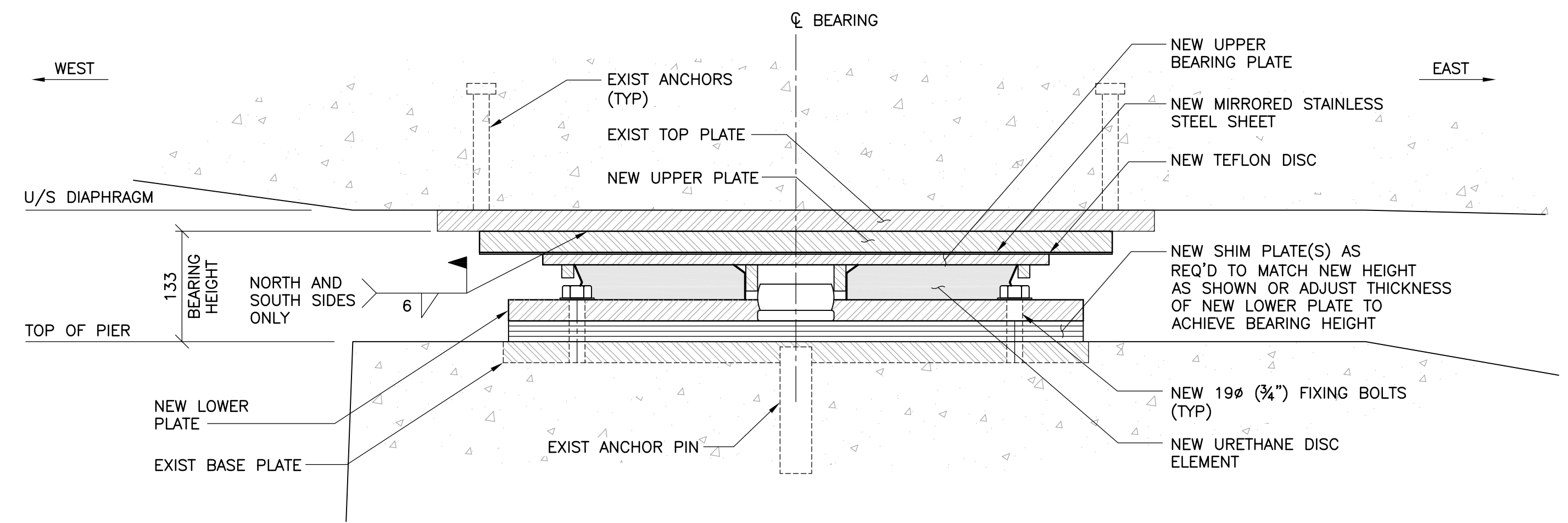
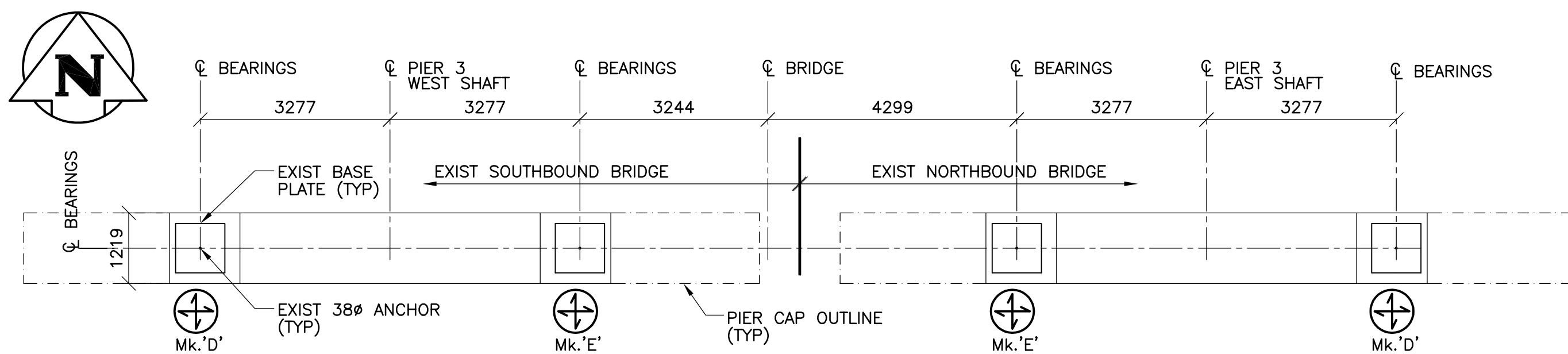


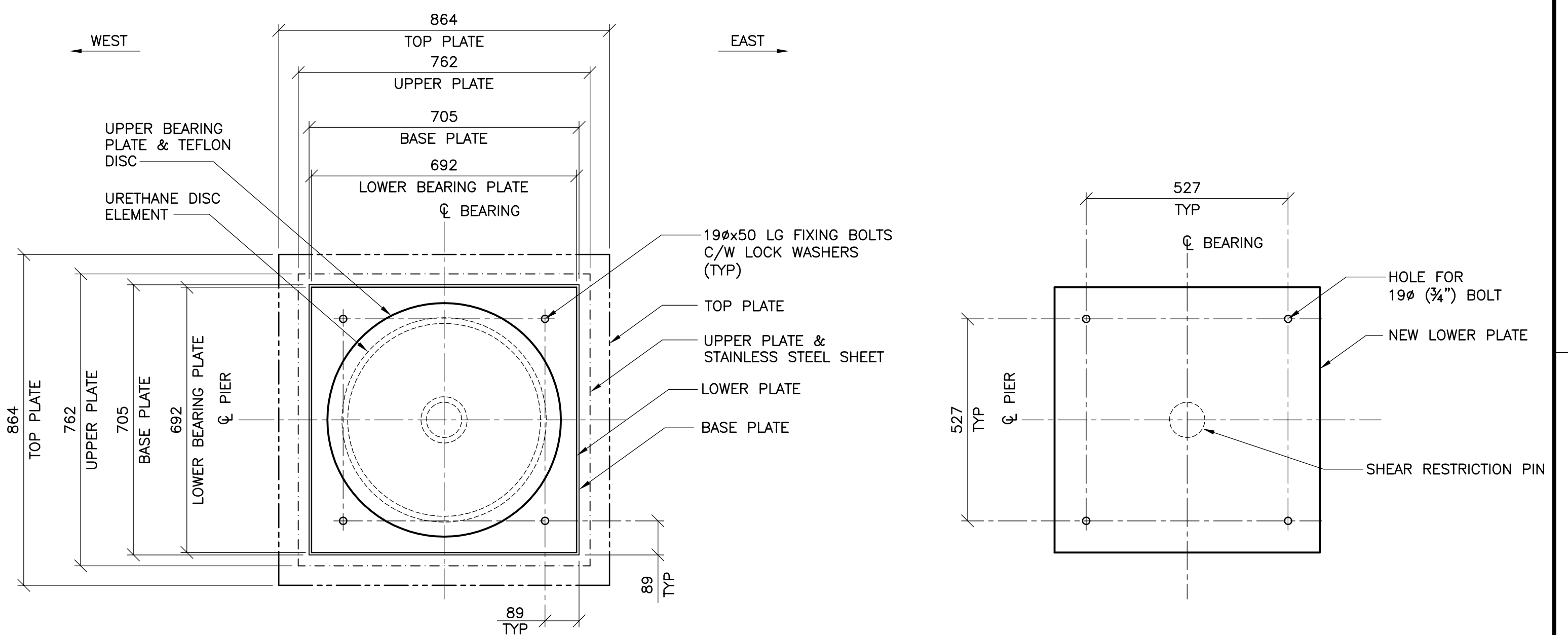
1
1 : 75
- SHOWING BASE PLATE ON TOP OF PIER
- MULTI DIRECTIONAL BEARING



6
1 : 5
- U/S OF DIAPHRAGM TO BE RAISED 25mm
- EXIST TOP PLATE AND BASE PLATE TO BE SHOT BLASTED AND COATED WITH 6 mil (0.152mm) OF ZINC METALIZING

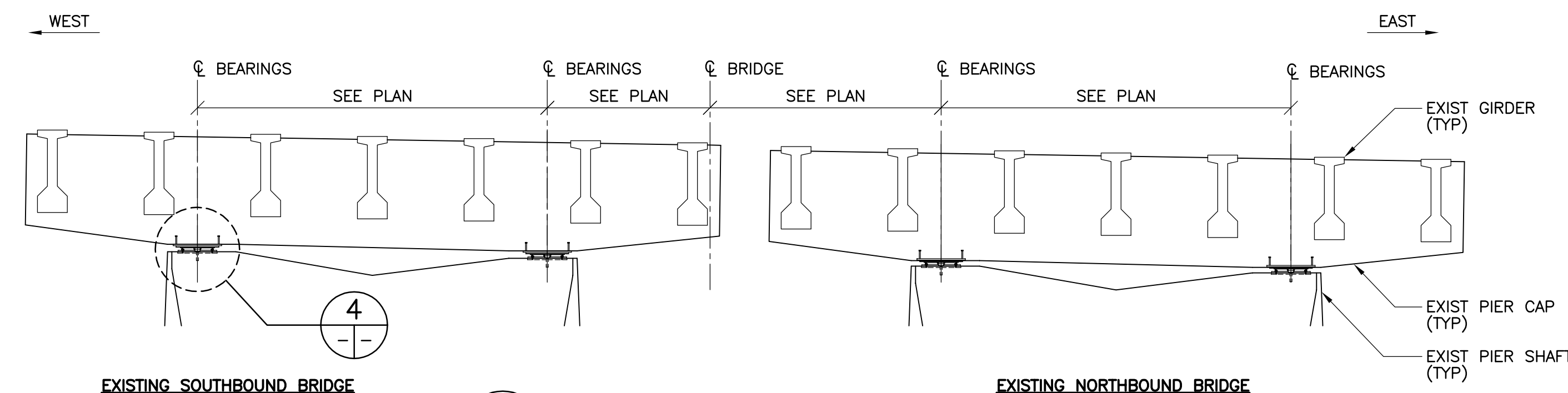


2
1 : 75
- SHOWING BASE PLATE ON TOP OF PIER
- MULTI DIRECTIONAL BEARING

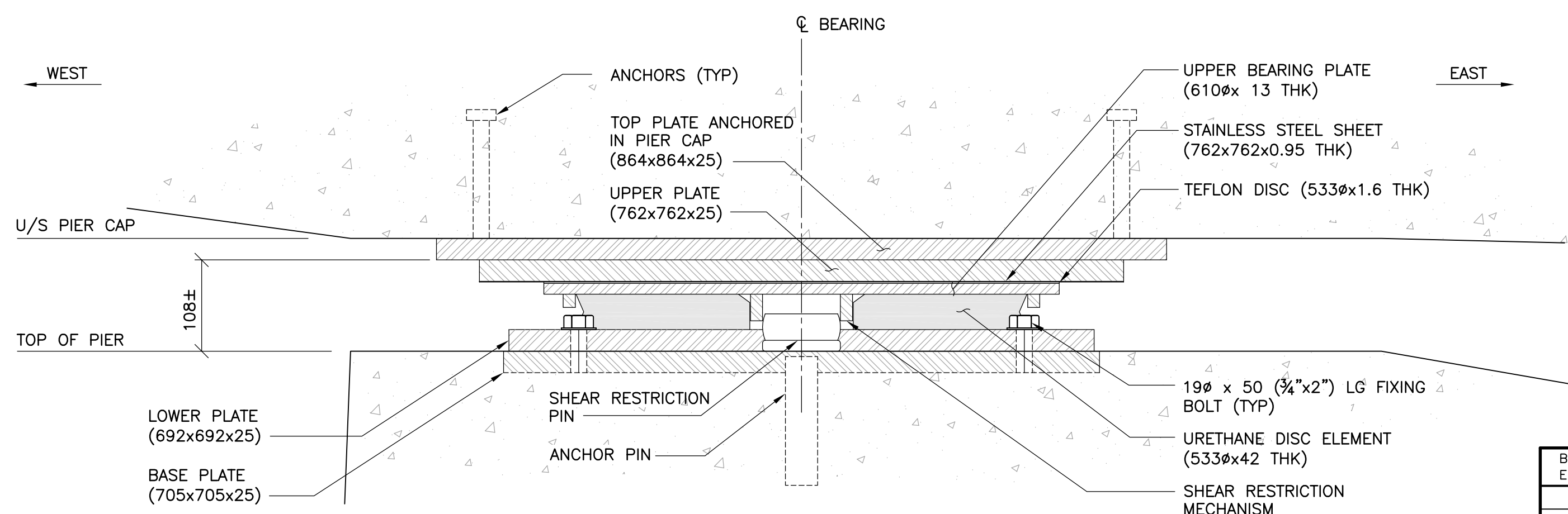


5
1 : 10

7
1 : 10
- BEARING SUPPLIER TO UTILIZE EXISTING BOLT PATTERN FOR NEW FIXING BOLTS AND BEARING DESIGN
- OVERSIZE NEW FIXING BOLT HOLES BY 2mm IN NEW LOWER PLATE



3
1 : 75
- LOOKING NORTH

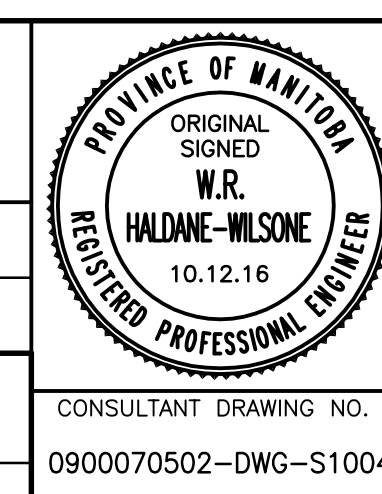


4
1 : 5



B.M. ELEV.	F.B.	DATE	BY
00	ISSUED FOR TENDER	10.12.16	RHW
	NO. REVISIONS	DATE	BY

WARDROP ATETRA TECH COMPANY	
DESIGNED BY R.H.W.	CHECKED BY R.H.W.
DRAWN BY G.I.	APPROVED BY C.D.S.
HOR. SCALE: AS NOTED	RELEASED FOR CONSTRUCTION DATE 10.12.17
VERTICAL: AS NOTED	ORIGINAL SIGNED 10.12.17
	DATE 10.12.13



THE CITY OF WINNIPEG
PUBLIC WORKS DEPARTMENT
ENGINEERING DIVISION

OSBORNE STREET BRIDGE
SUPPLY, FABRICATION, & DELIVERY OF BEARINGS

PIER 1 AND 3 - BEARING DETAILS

CITY DRAWING NUMBER
B109-11-004
SHEET 4 OF 5

4