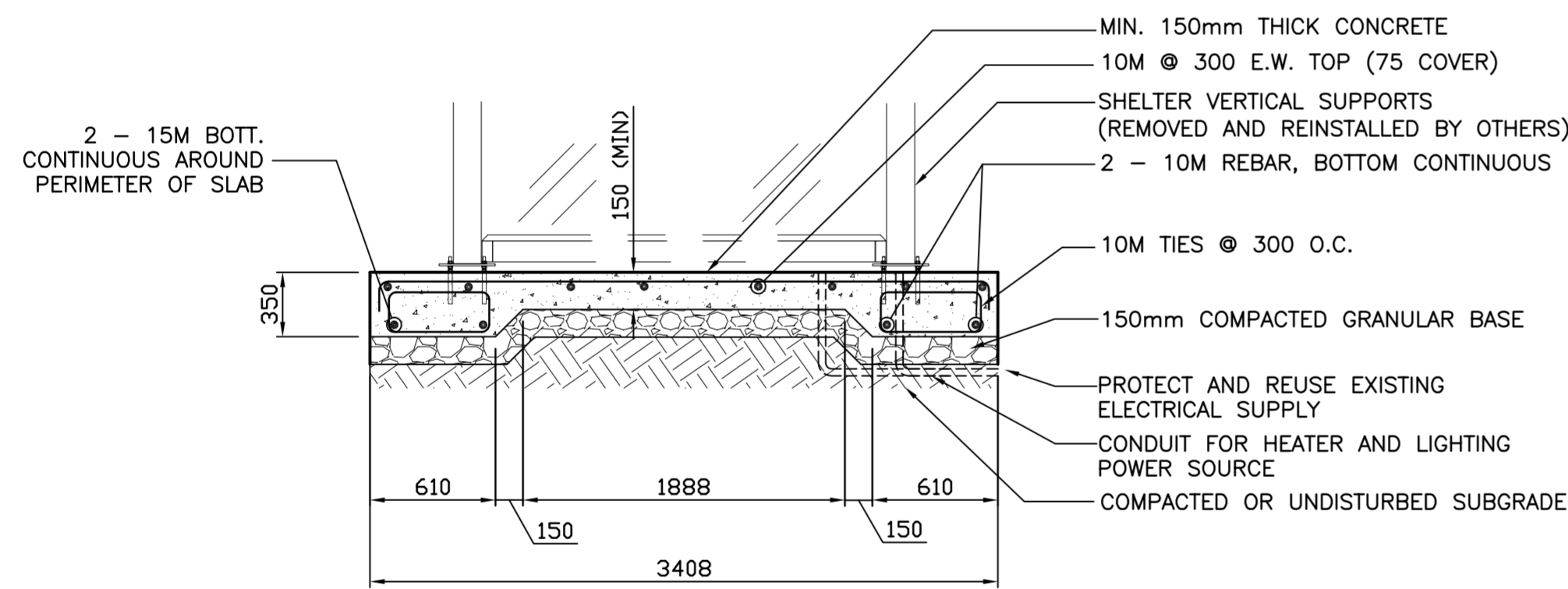


NOTE: CONFIRM FINAL CROSS SLOPE WITH CONTRACT ADMINISTRATOR PRIOR TO LAYOUT CONTRACTOR TO REPORT ANY DISCREPANCIES TO CONTRACT ADMINISTRATOR PRIOR TO LAYOUT.

CONTRACTOR TO VERIFY EXACT DIMENSIONS OF SHELTER PRIOR TO LAYOUT WITH SHELTER MANUFACTURER. CONTRACT ADMINISTRATOR TO SUPPLY CONTACT INFORMATION.

1 HEATED SHELTER FOUNDATION PLAN
SCALE NTS



A HEATED SHELTER FOUNDATION SECTION
SCALE NTS



B.M. 35-076 (N: 5527196 E: 633022.129) ELEV. 232.401		DILLON CONSULTING			THE CITY OF WINNIPEG PUBLIC WORKS DEPARTMENT ENGINEERING DIVISION OSBORNE STREET BRIDGE REHABILITATION & RELATED WORKS	CITY DRAWING NUMBER B109-11-131
DESIGNED BY: RTP	CHECKED BY: DBW	DRAWN BY: PMW	APPROVED BY: DPK			SHEET 126 OF 131
HOR. SCALE: AS SHOWN		RELEASED FOR CONSTRUCTION ORIGINAL SIGNED DATE: 11.02.16				CONSULTANT DRAWING NO. 092530
VERTICAL: AS SHOWN		MAY CRISLETT P. ENG. BRIDGE PROJECTS ENGINEER				
00 ISSUED FOR TENDER	11.02.18	DBW	DATE: 2011.02.18	DETAILS 2 OF 2		126