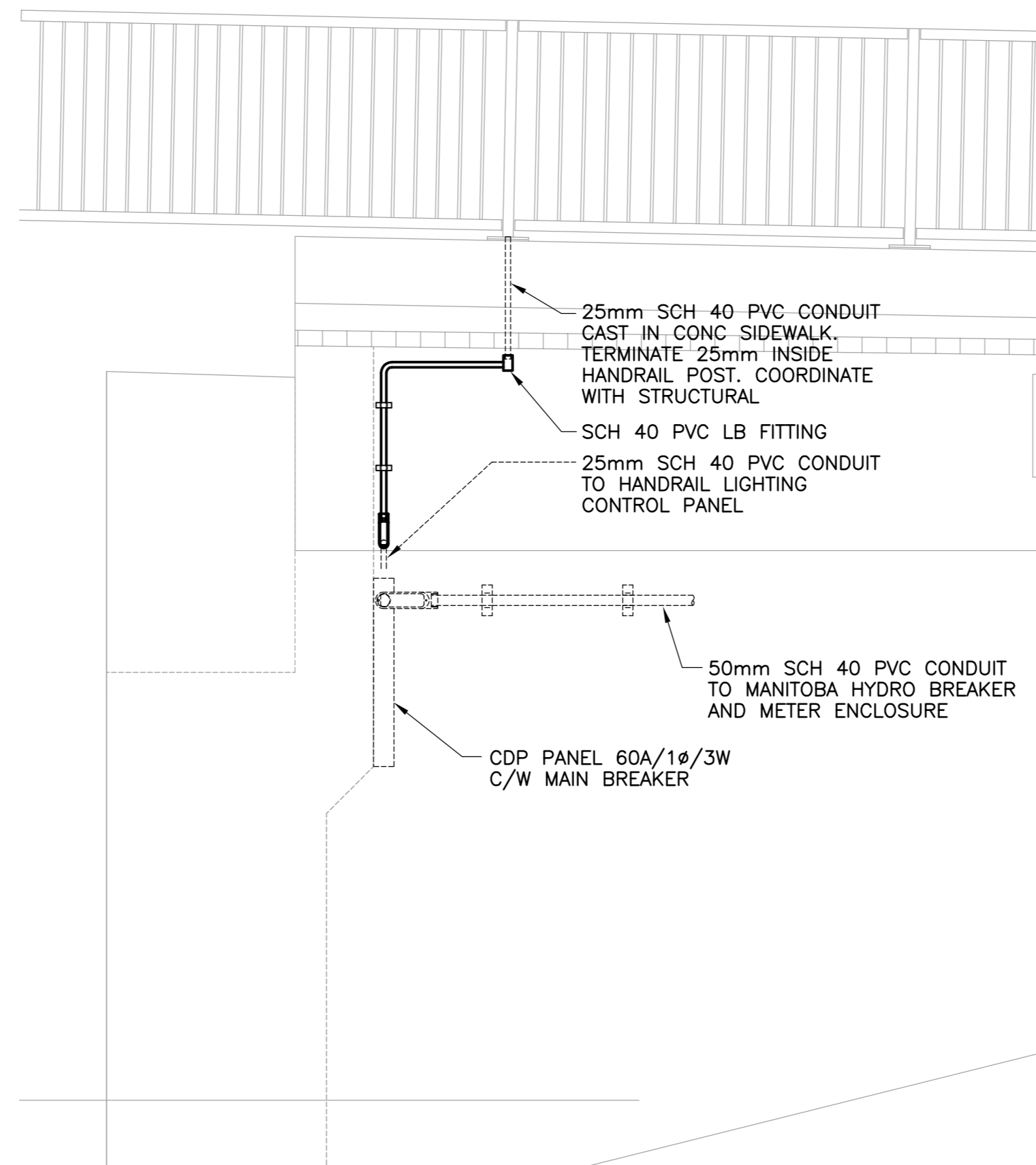
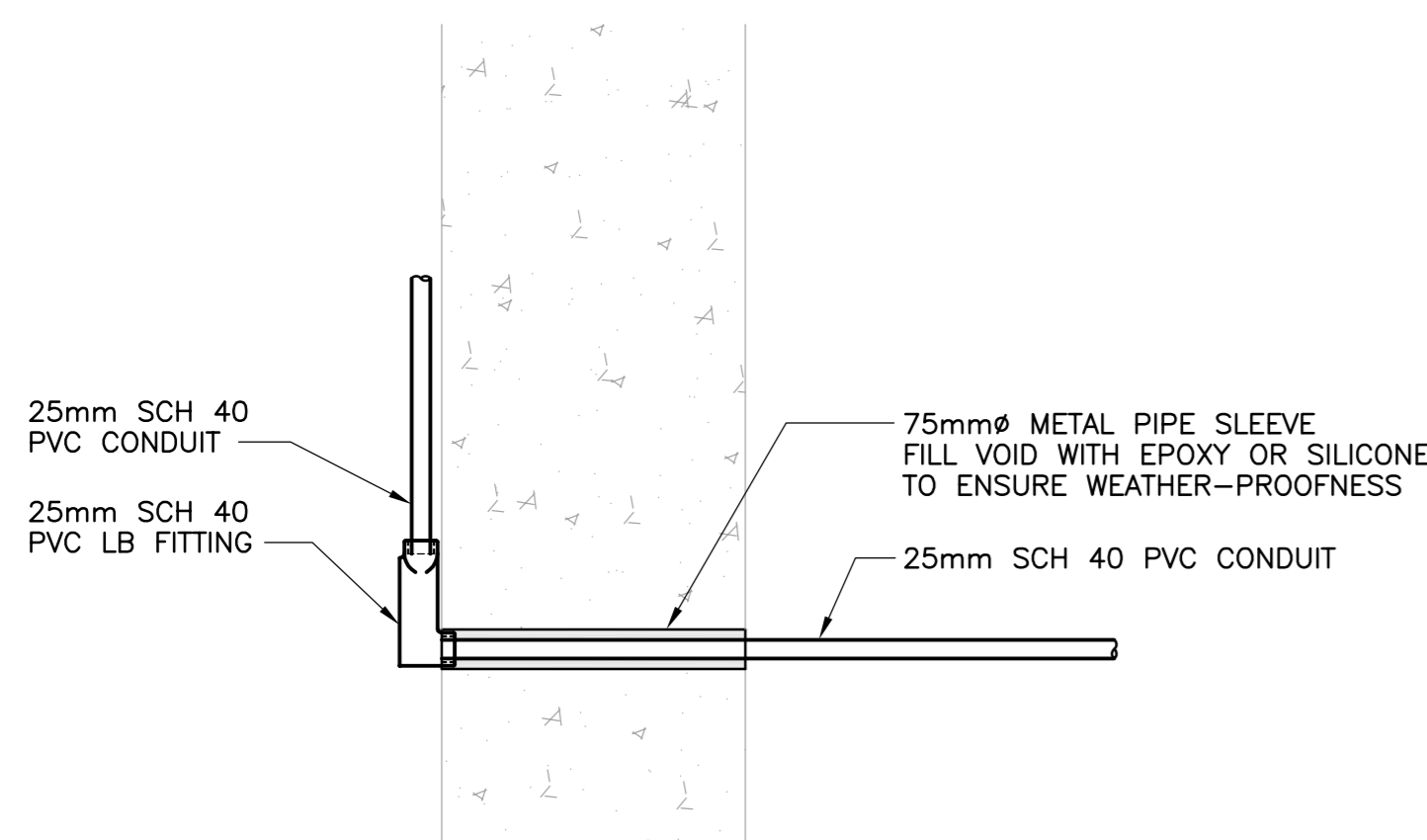


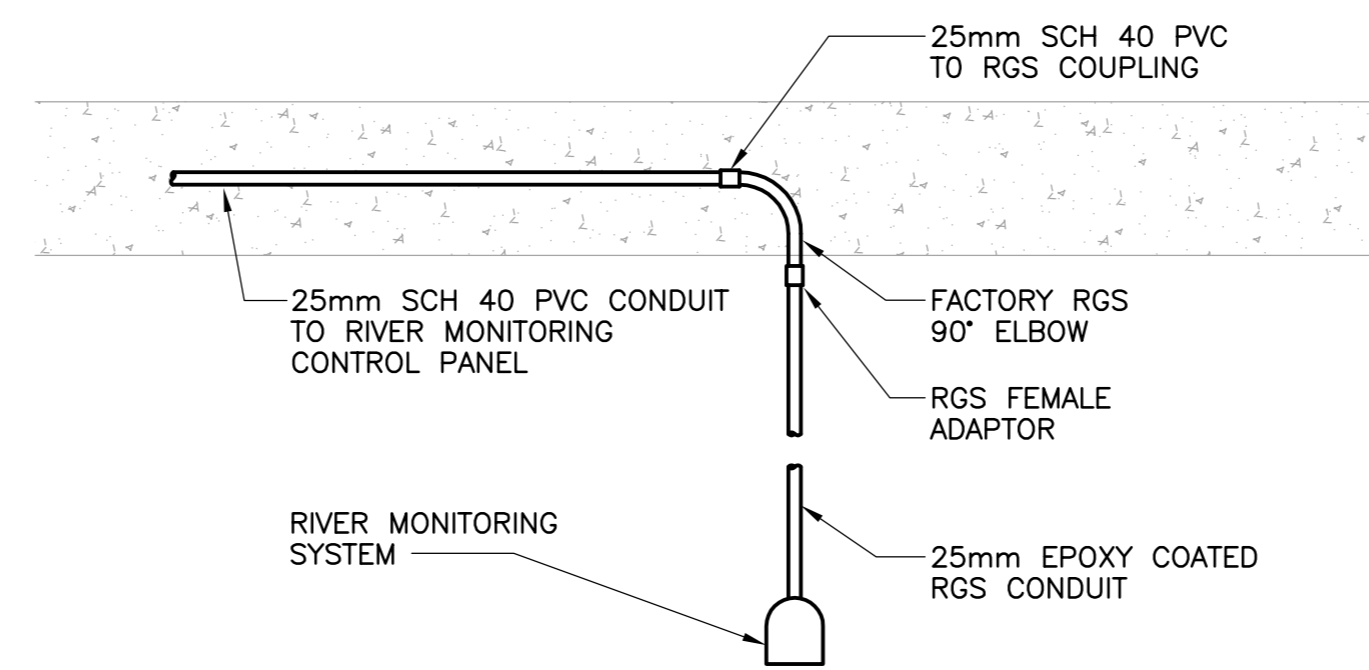
**1** NORTH ABUTMENT ELECTRICAL EQUIPMENT LAYOUT (EAST)  
113/115 N.T.S. SIMILAR FOR HANDRAIL LIGHTING CONTROL PANEL ON WEST SIDE



**2** SECTION  
N.T.S. SIMILAR FOR HANDRAIL LIGHTING CONTROL PANEL ON WEST SIDE



**3** TYPICAL WALL PENETRATION DETAIL  
N.T.S.



**4** RIVER MONITORING SYSTEM DETAIL  
N.T.S.



B.M. ELEV.		F.B.							<b>THE CITY OF WINNIPEG</b> PUBLIC WORKS DEPARTMENT TRANSPORTATION ENGINEERING DIVISION		CITY DRAWING NUMBER <b>B109-11-120</b>	
DESIGNED BY: H.P.C.C.		CHECKED BY: A.H.					OSBORNE STREET BRIDGE REHABILITATION & RELATED WORKS		SHEET 115 OF 131			
DRAWN BY: H.P.C.C.		APPROVED BY: R.H.W.		HOR. SCALE: AS NOTED VERTICAL: AS NOTED		ACCEPTED BY: DATE ORIGINAL SIGNED: 11.02.16		ELECTRICAL ELEVATION, SECTIONS AND DETAILS		115		
00 ISSUED FOR TENDER		11.02.18 A.H.		DATE: 11.02.07		CONSULTANT DRAWING NO. 0900070502-DWG-E0003						
NO. REVISIONS		DATE		BY		MATT GHEsLETT, P.ENG. BRIDGE PROJECTS ENGINEER						