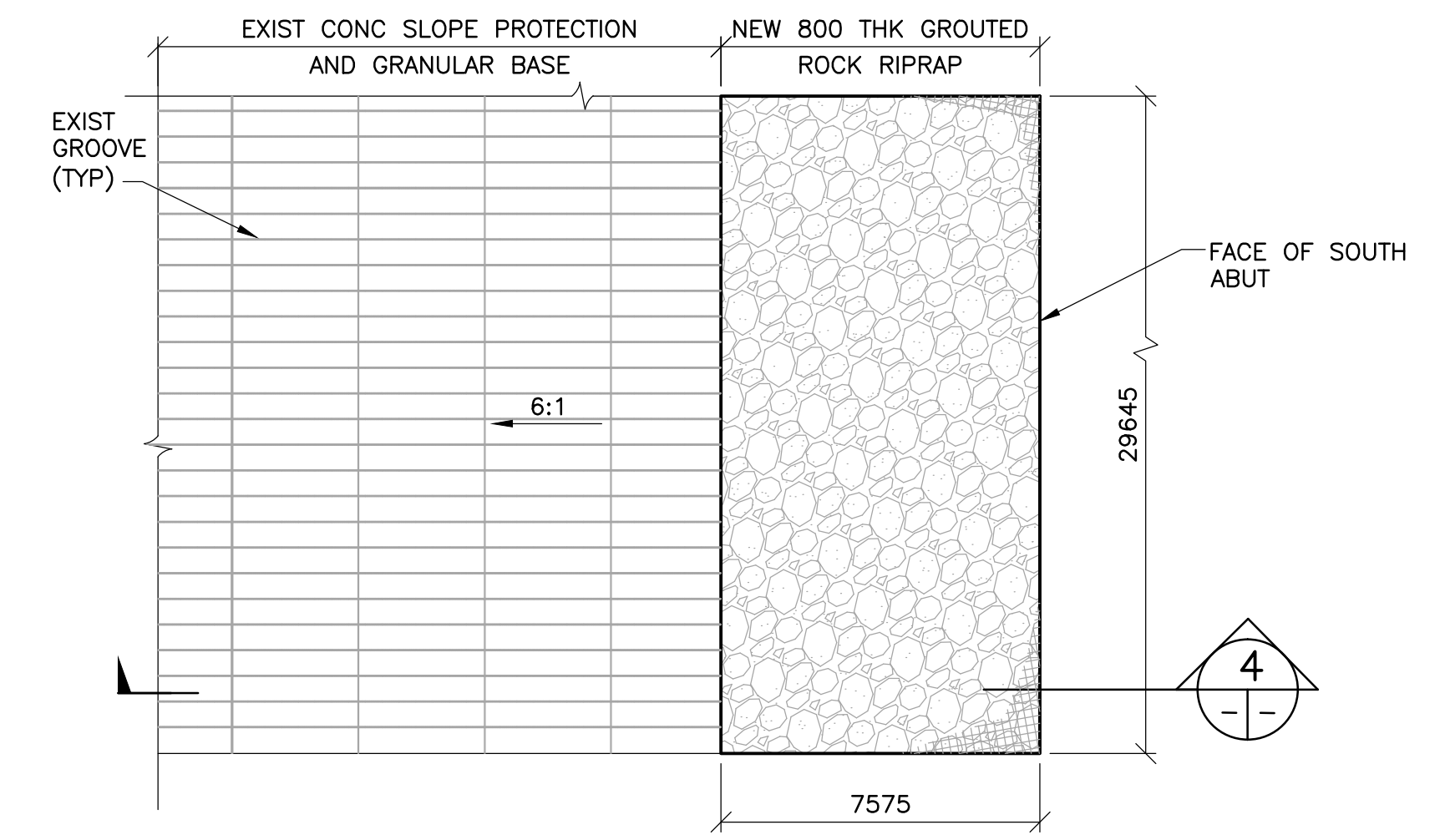
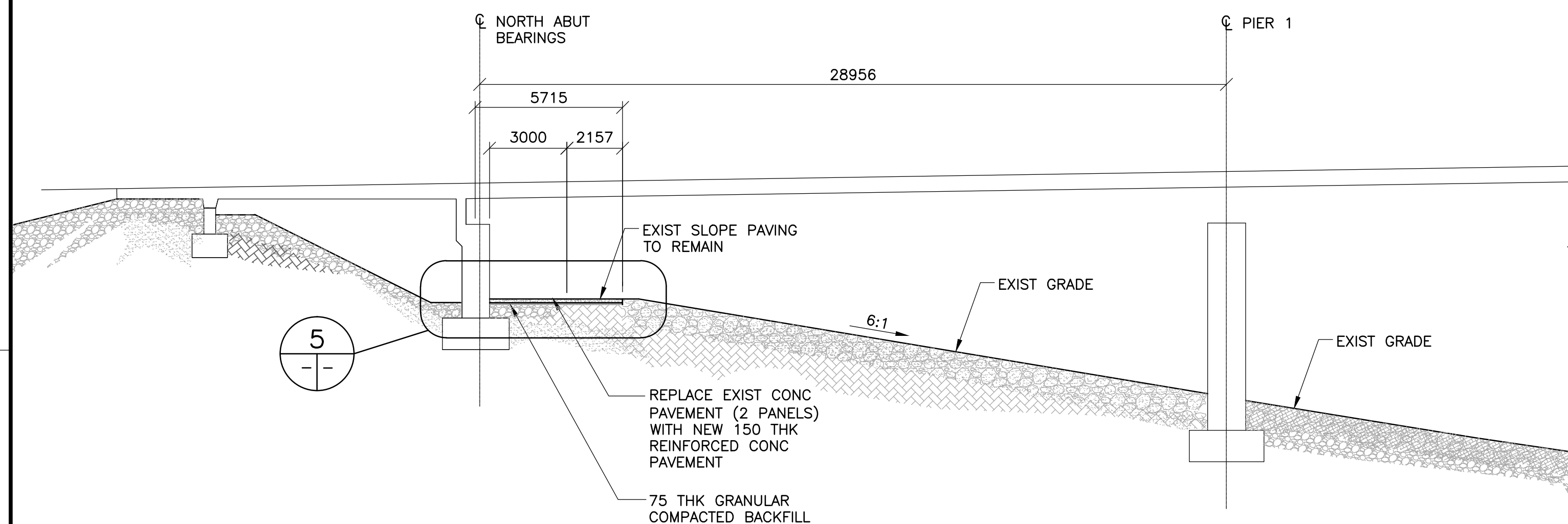


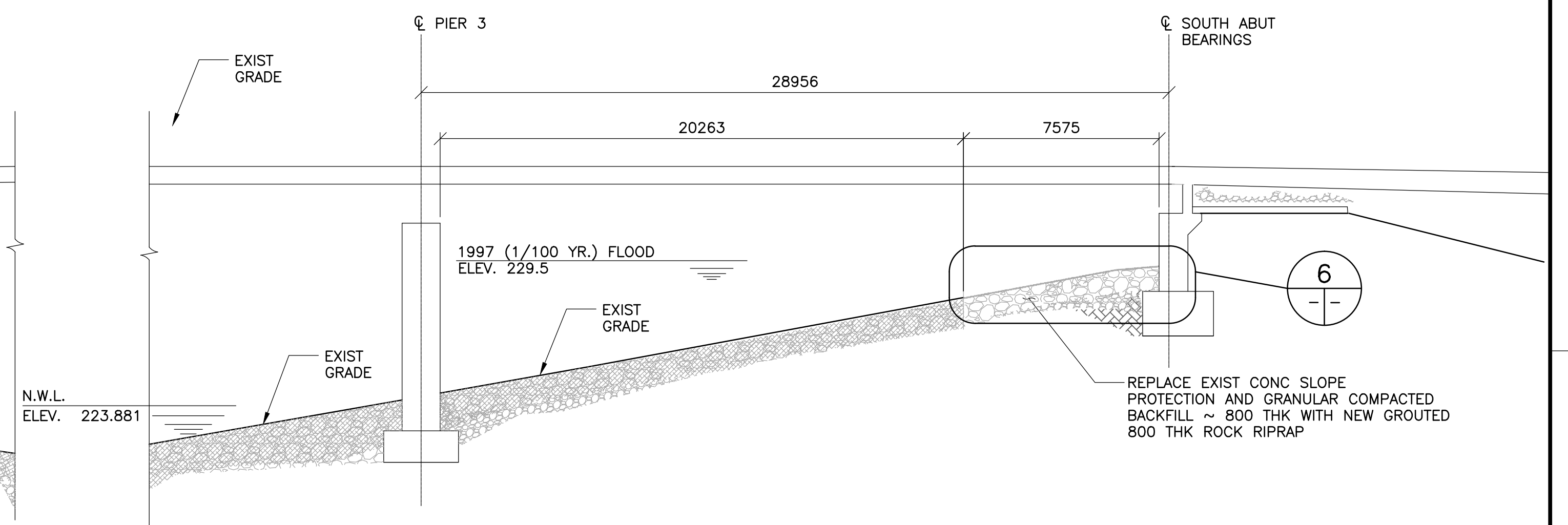
1 PARTIAL PLAN AT NORTH ABUTMENT
1:150



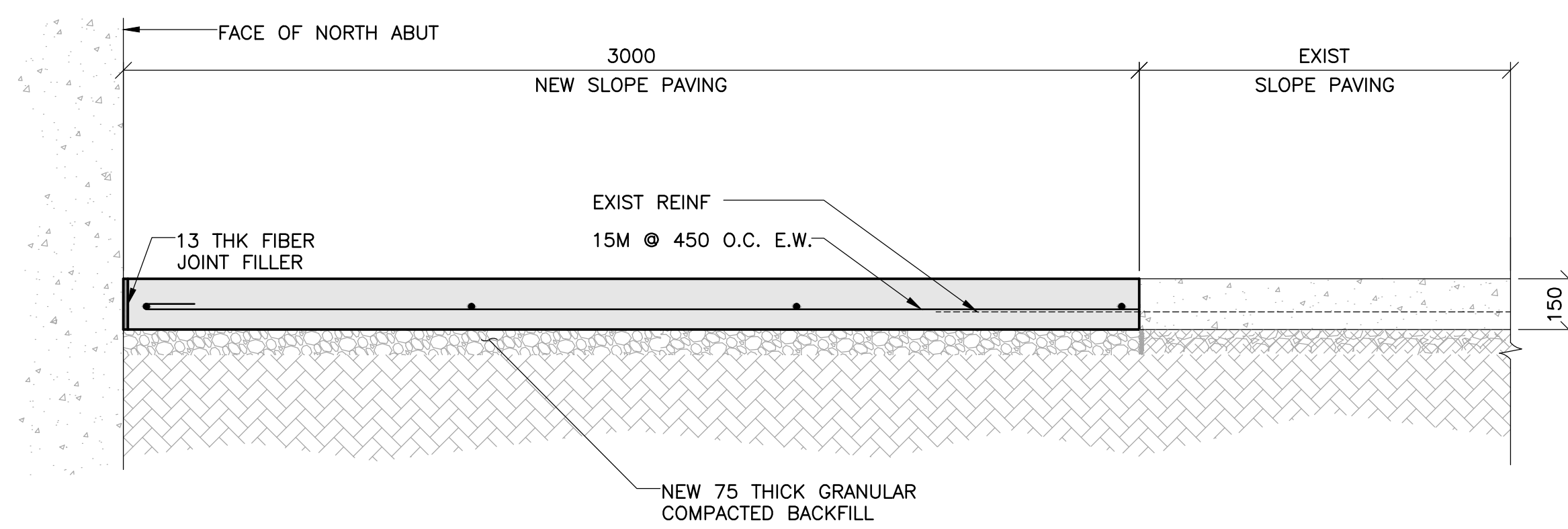
2 PARTIAL PLAN AT SOUTH ABUTMENT
1:150



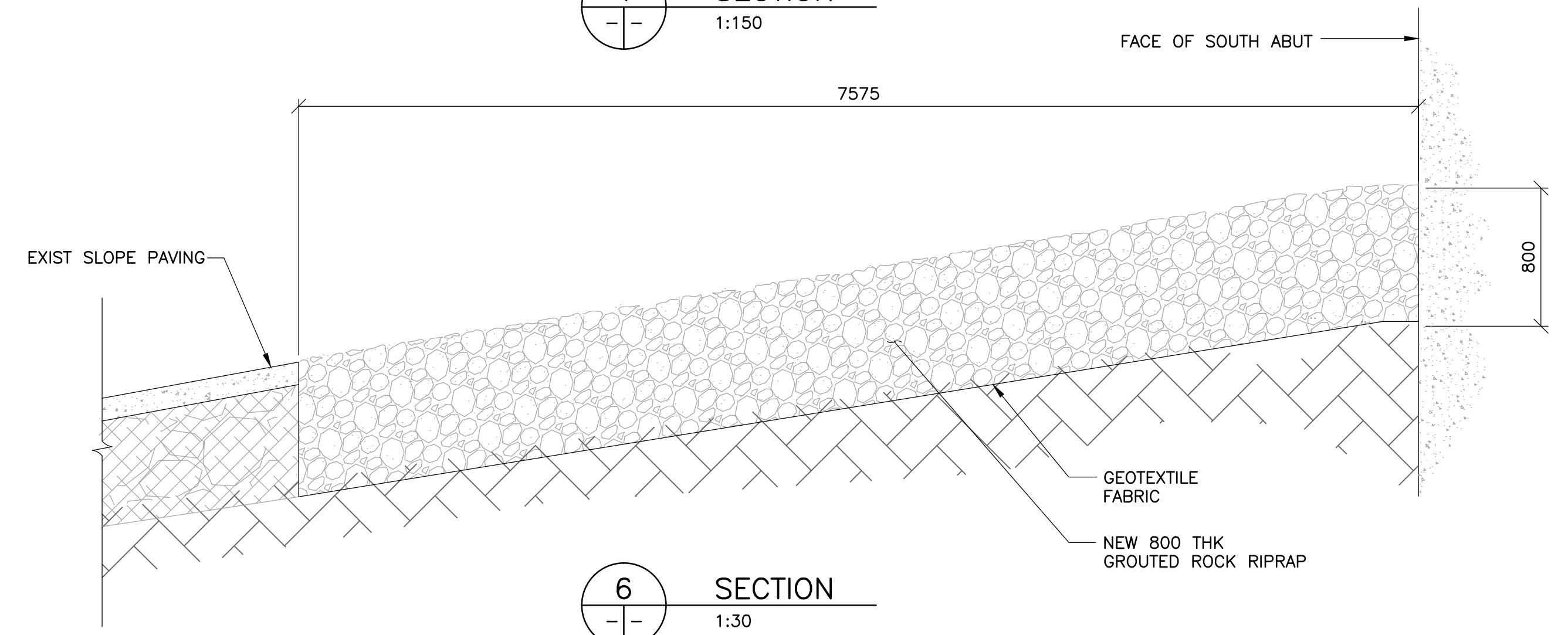
3 SECTION
1:150



4 SECTION
1:150



5 SECTION
1:15
-SHOWING NEW CONCRETE PAVEMENT AT NORTH ABUT

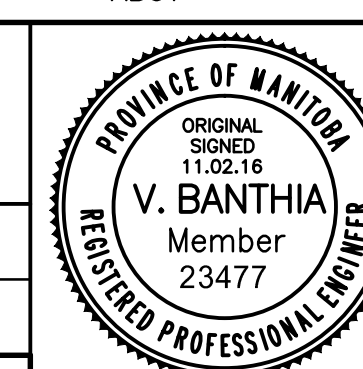


6 SECTION
1:30
-SHOWING NEW GROUTED ROCK RIPRAP AT SOUTH ABUT



B.M. ELEV.	F.B.	DATE	BY
00	ISSUED FOR TENDER	11.02.18	VB
NO.	REVISIONS	DATE	BY
		10.10.20	

WARDROP A TETRA TECH COMPANY	
DESIGNED BY: S.Y.	CHECKED BY: V.B.
DRAWN BY: C.T.	APPROVED BY: R.H.W.
HOR. SCALE: AS NOTED	RELEASED FOR CONSTRUCTION DATE: 11.02.18
VERTICAL: AS NOTED	ORIGINAL SIGNED DATE: 11.02.18
CONSULTANT DRAWING NO. 0900070500-DWG-S0108	



THE CITY OF WINNIPEG PUBLIC WORKS DEPARTMENT ENGINEERING DIVISION	
OSBORNE STREET BRIDGE REHABILITATION & RELATED WORKS	CITY DRAWING NUMBER B109-11-113 SHEET 108 OF 131
SLOPE PAVING	108