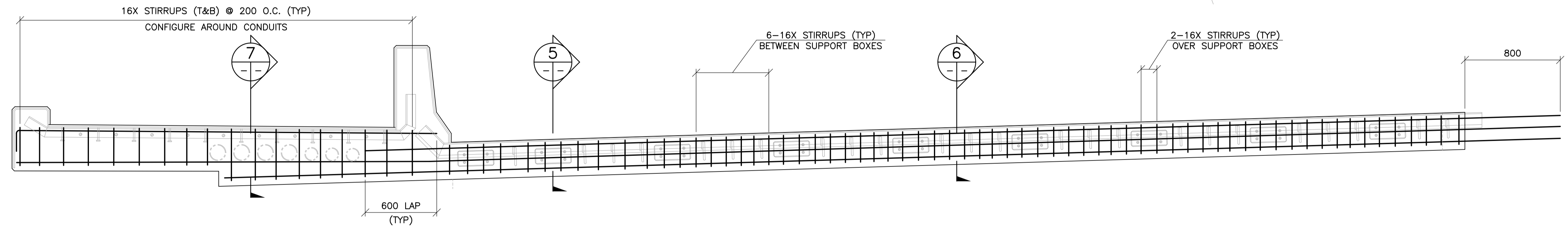
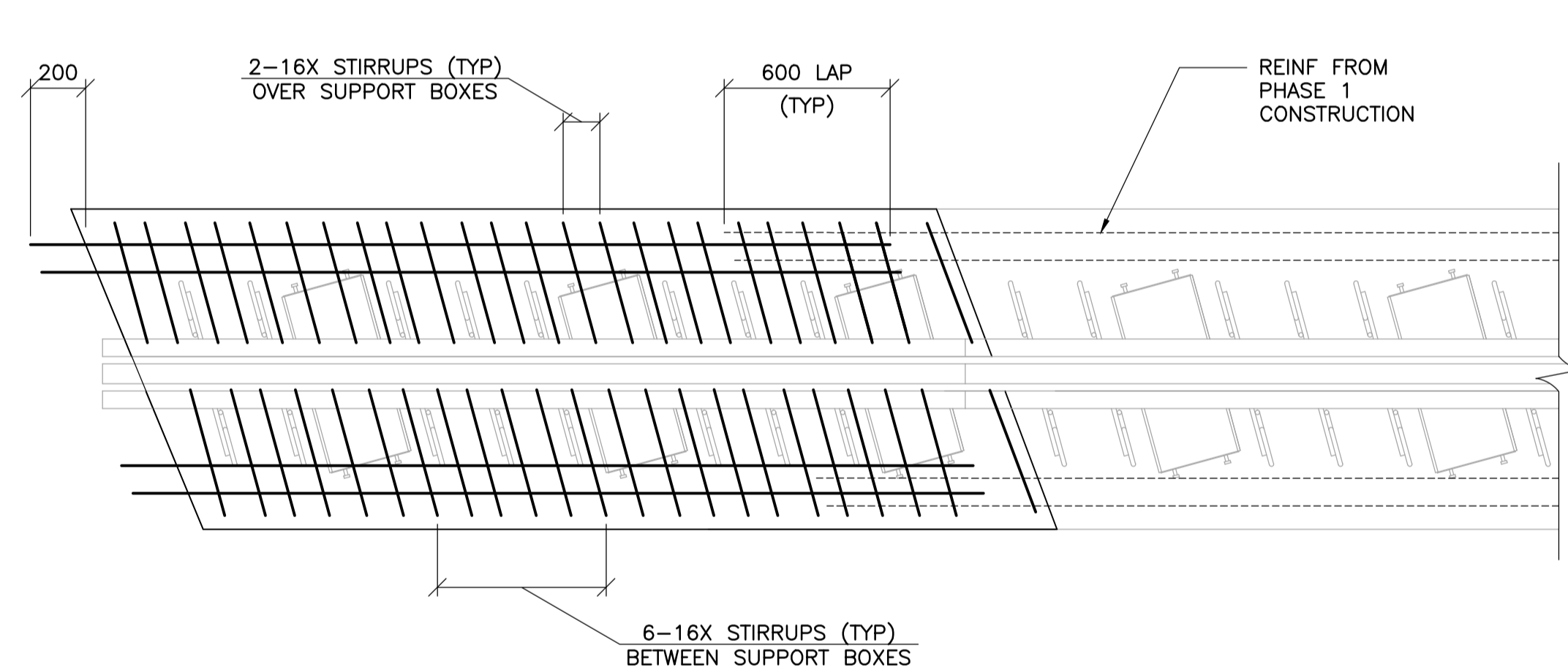


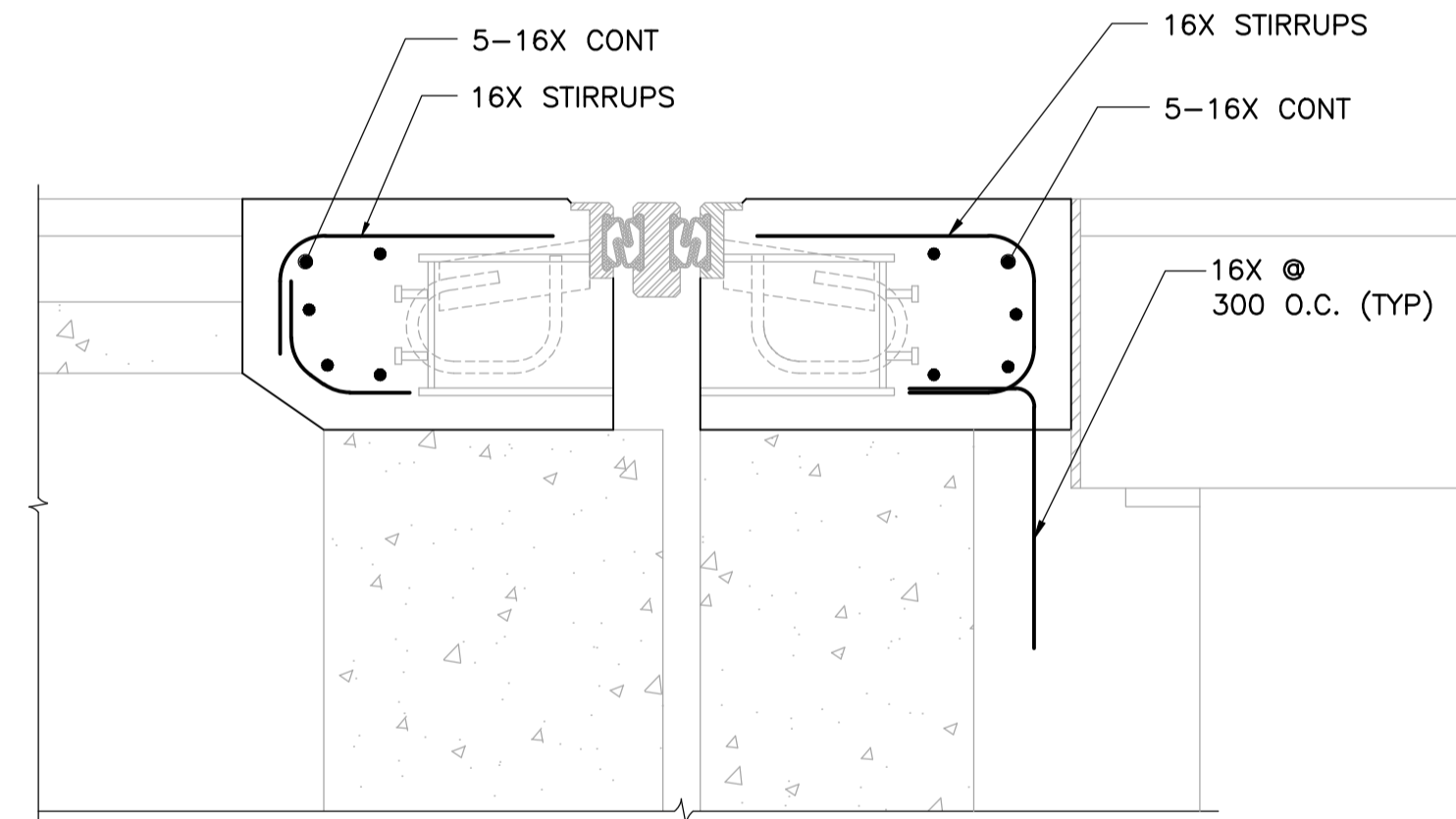
1 PLAN - EXPANSION JOINT AT SOUTH ABUTMENT - PHASE 1 REINFORCING
1 : 20



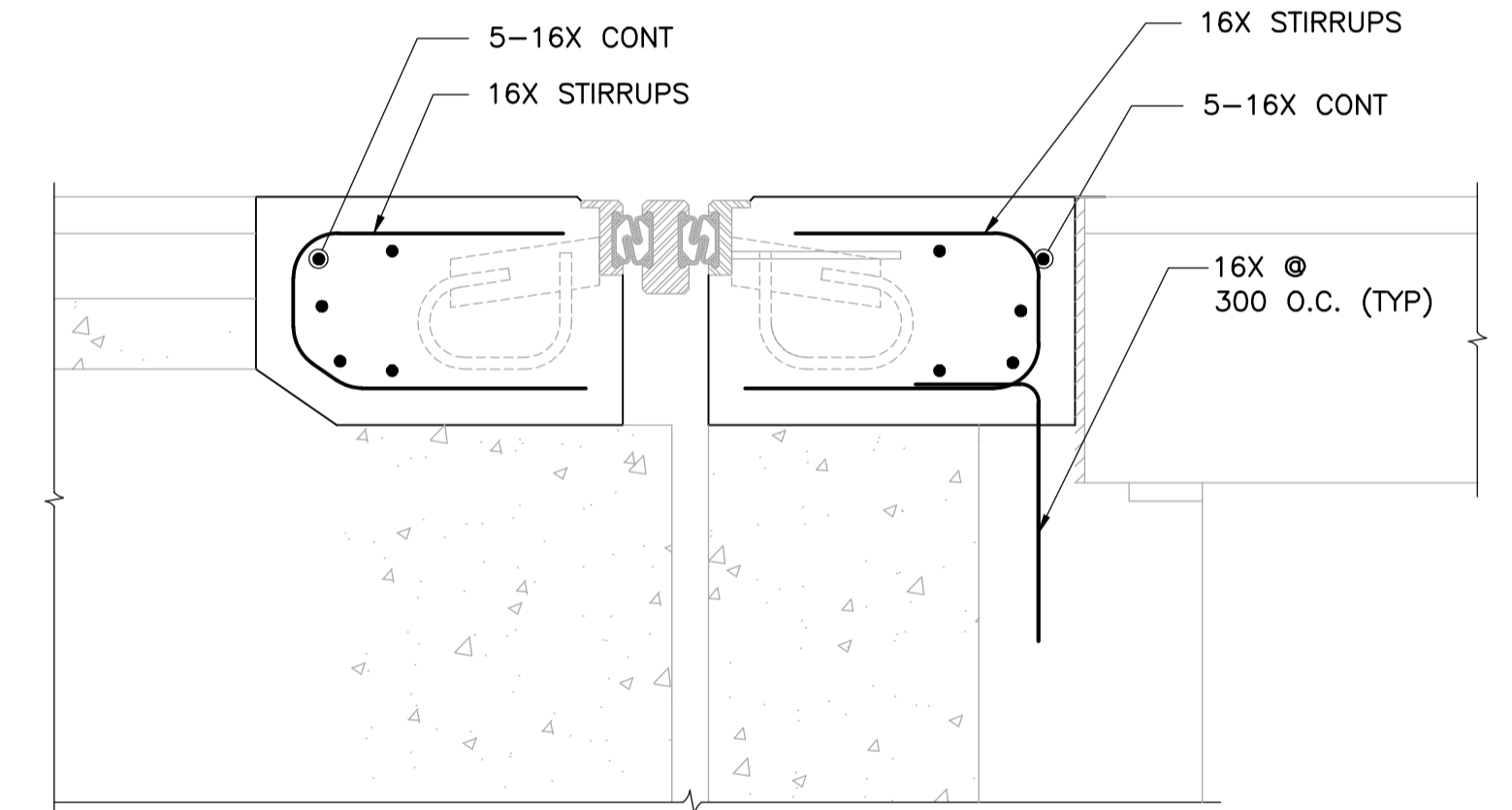
2 ELEVATION - EXPANSION JOINT AT SOUTH ABUTMENT - PHASE 1 REINFORCING
1 : 20



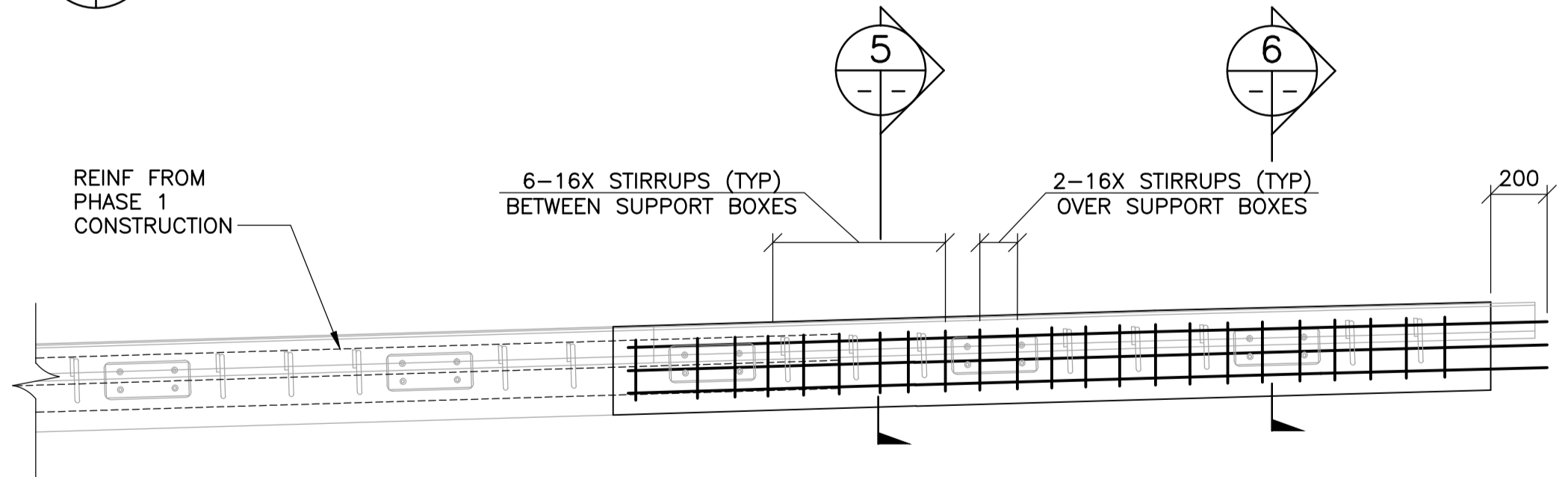
3 PLAN - EXPANSION JOINT AT SOUTH ABUTMENT - PHASE 1A REINFORCING
1 : 20



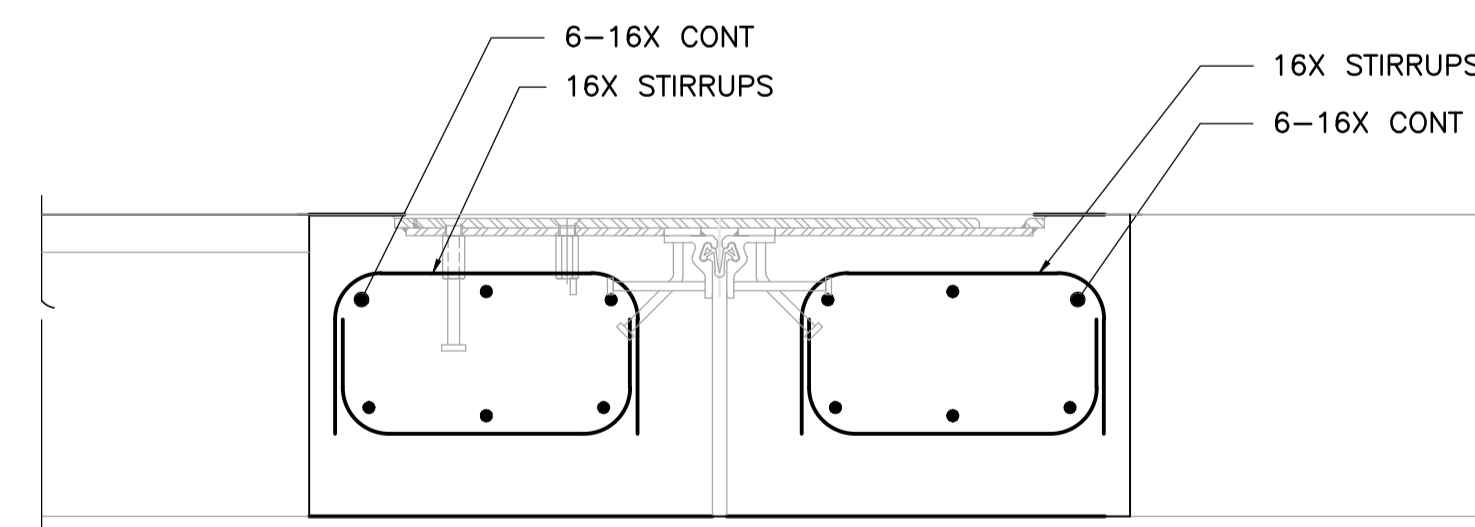
5 SECTION AT EXPANSION JOINT BOXES
1 : 10



6 SECTION BETWEEN EXPANSION JOINT BOXES
1 : 10



2 ELEVATION - EXPANSION JOINT AT SOUTH ABUTMENT - PHASE 1A REINFORCING
1 : 20



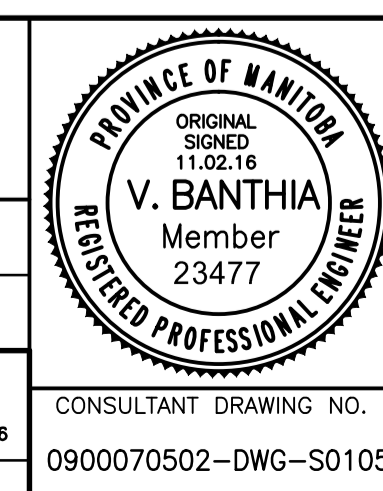
7 SECTION AT SIDEWALK
1 : 10



| B.M. ELEV. | F.B. | DATE | BY |
|------------|------|----------|----|
| | | 11.02.18 | VB |
| | | 10.12.03 | |

WARDROP
ATETRA TECH COMPANY

| | |
|----------------------|---|
| DESIGNED BY: K.Y. | CHECKED BY: V.B. |
| DRAWN BY: E.M.M. | APPROVED BY: R.H.W. |
| HOR. SCALE: AS NOTED | RELEASED FOR CONSTRUCTION DATE: 11.02.18 |
| VERTICAL: AS NOTED | ORIGINAL SIGNED DATE: 11.02.18 |
| DATE: 10.12.03 | CONSULTANT DRAWING NO. 0900070502-DWG-S0105 |



THE CITY OF WINNIPEG
PUBLIC WORKS DEPARTMENT
ENGINEERING DIVISION

OSBORNE STREET BRIDGE
REHABILITATION & RELATED WORKS

SOUTH EXPANSION JOINT
PHASE 1 & PHASE 1A REINFORCING

| |
|----------------------------------|
| CITY DRAWING NUMBER: B109-11-110 |
| SHEET 105 OF 131 |
| 105 |