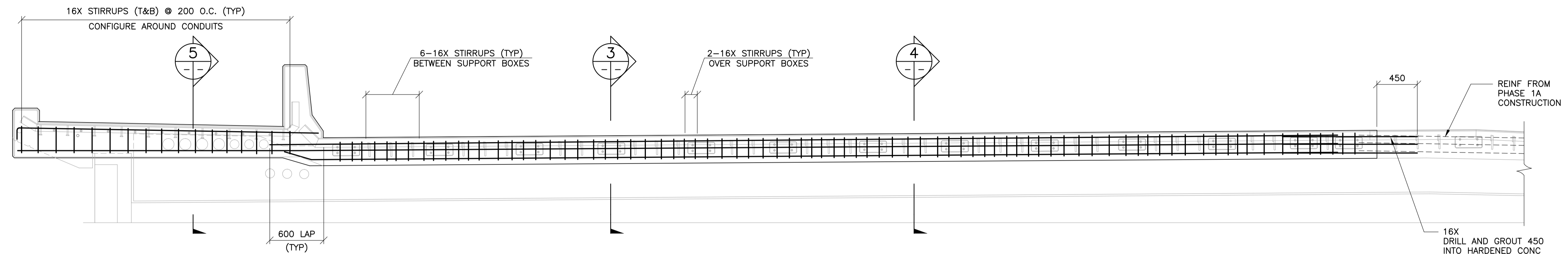
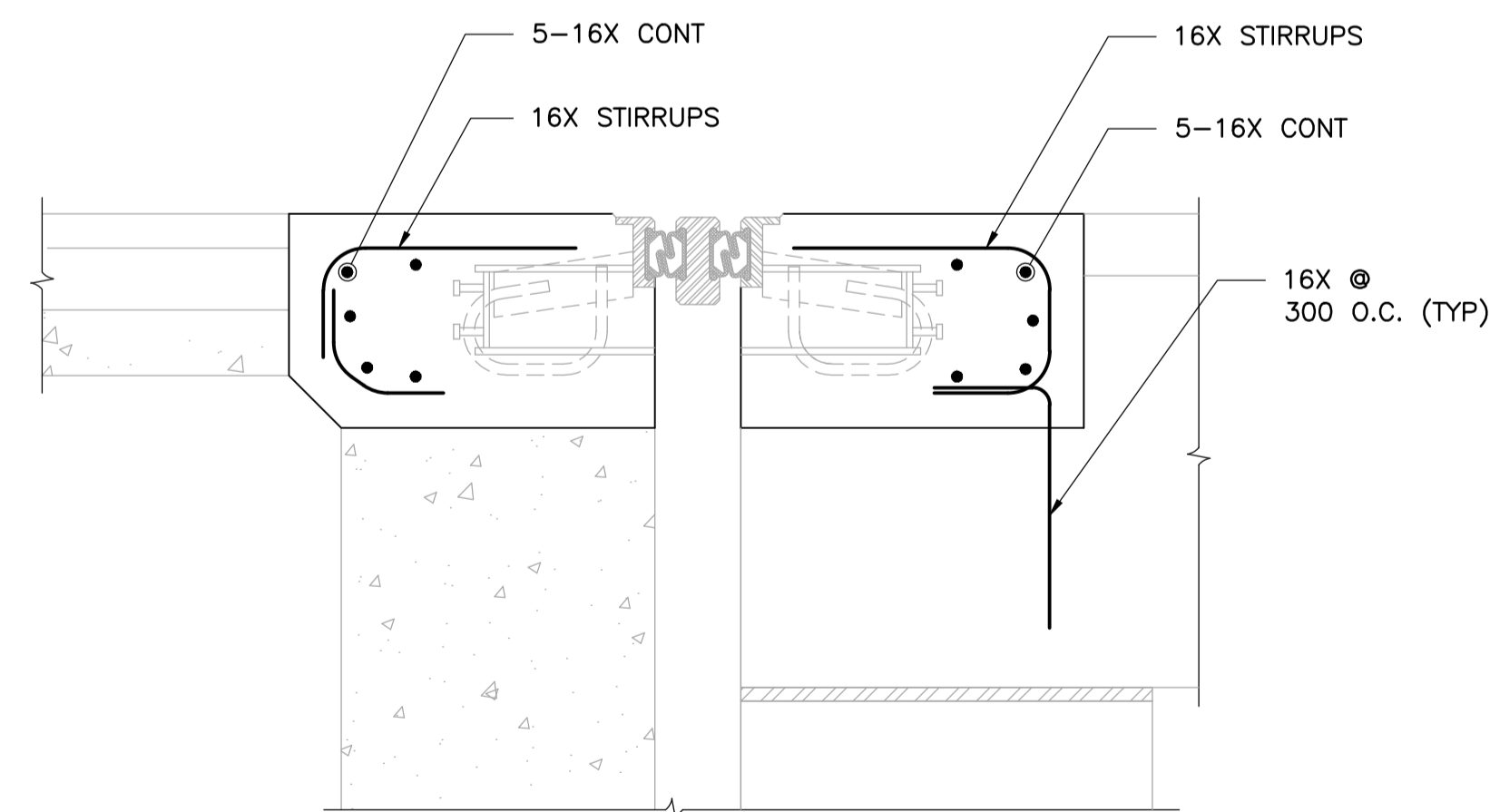


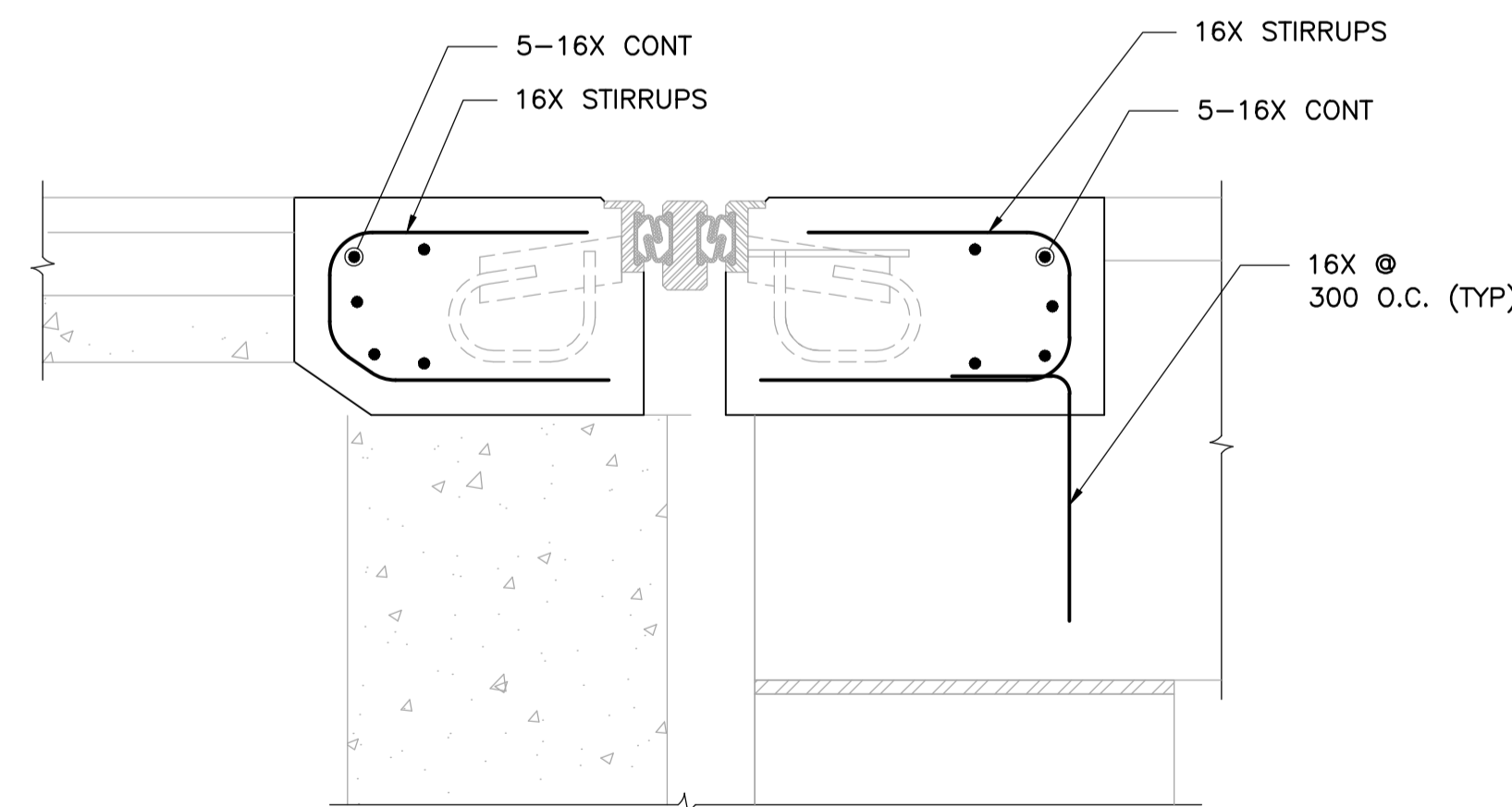
1 PLAN - EXPANSION JOINT AT NORTH ABUTMENT - PHASE 2 REINFORCING
1 : 25



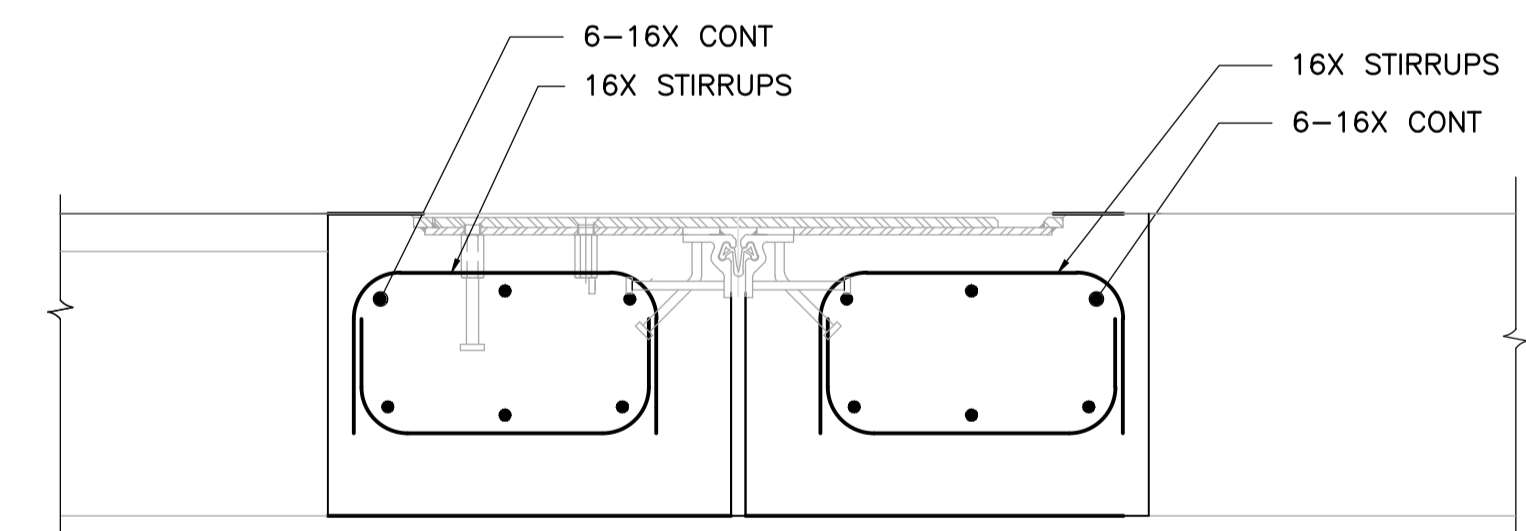
2 ELEVATION - EXPANSION JOINT AT NORTH ABUTMENT - PHASE 2 REINFORCING
1 : 25



3 SECTION AT EXPANSION JOINT BOXES
1 : 10



4 SECTION BETWEEN EXPANSION JOINT BOXES
1 : 10

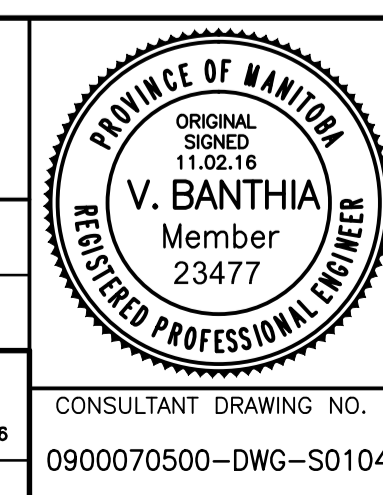


5 SECTION AT SIDEWALK
1 : 10



B.M. ELEV.	F.B.	DATE	BY
		11.02.18	VB
		10.12.03	

WARDROP ATETRA TECH COMPANY	
DESIGNED BY: K.Y.	CHECKED BY: V.B.
DRAWN BY: E.M.M.	APPROVED BY: R.H.W.
HOR. SCALE: AS NOTED	RELEASED FOR CONSTRUCTION DATE: 11.02.18
VERTICAL: AS NOTED	ORIGINAL SIGNED DATE: 11.02.18
00 ISSUED FOR TENDER	NO. REVISIONS



THE CITY OF WINNIPEG PUBLIC WORKS DEPARTMENT ENGINEERING DIVISION	
OSBORNE STREET BRIDGE REHABILITATION & RELATED WORKS	CITY DRAWING NUMBER B109-11-109 SHEET 104 OF 131
NORTH EXPANSION JOINT PHASE 2 REINFORCING	104