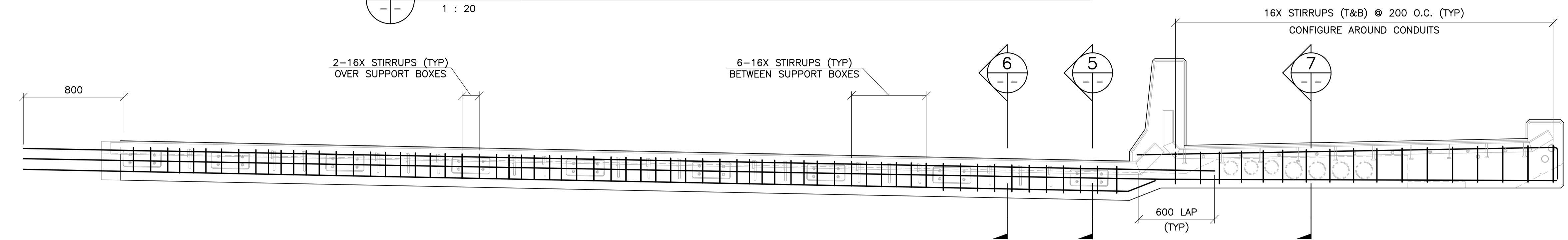
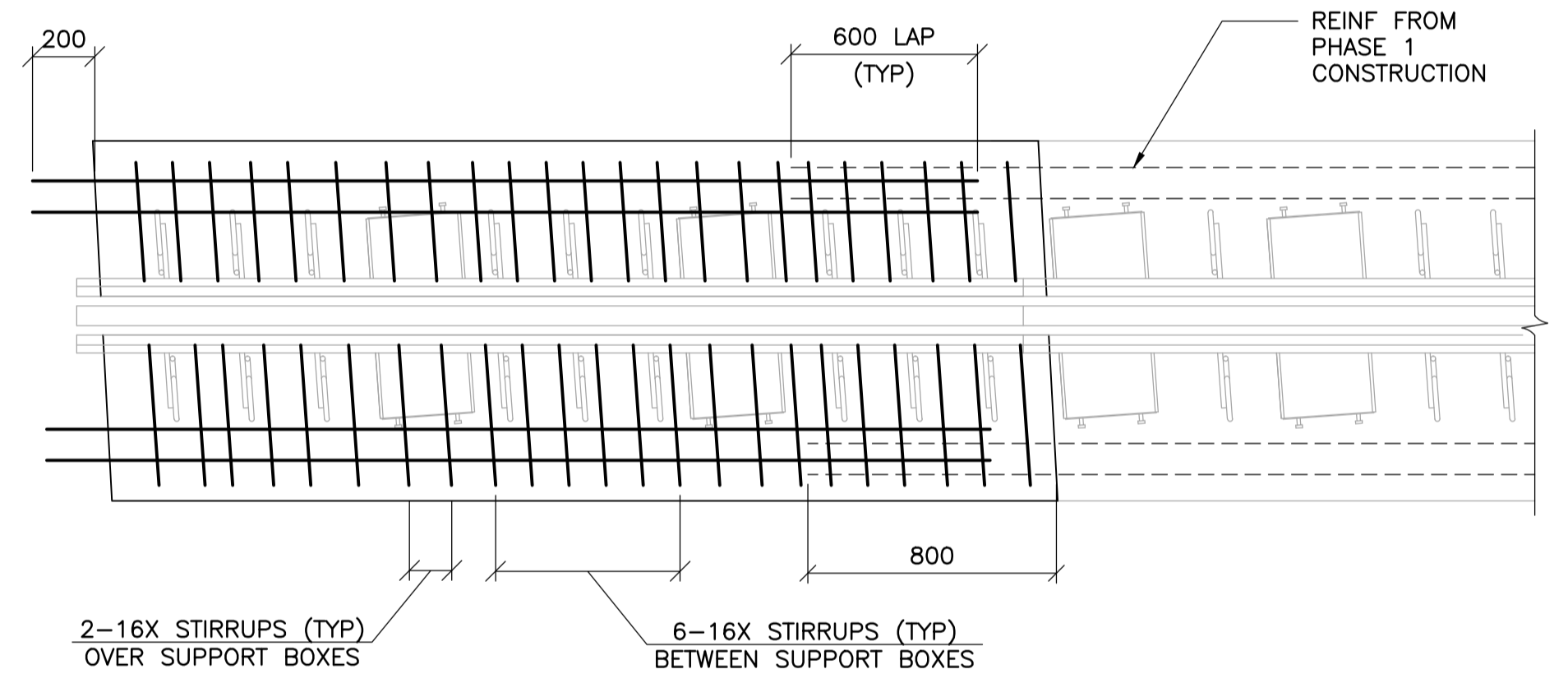


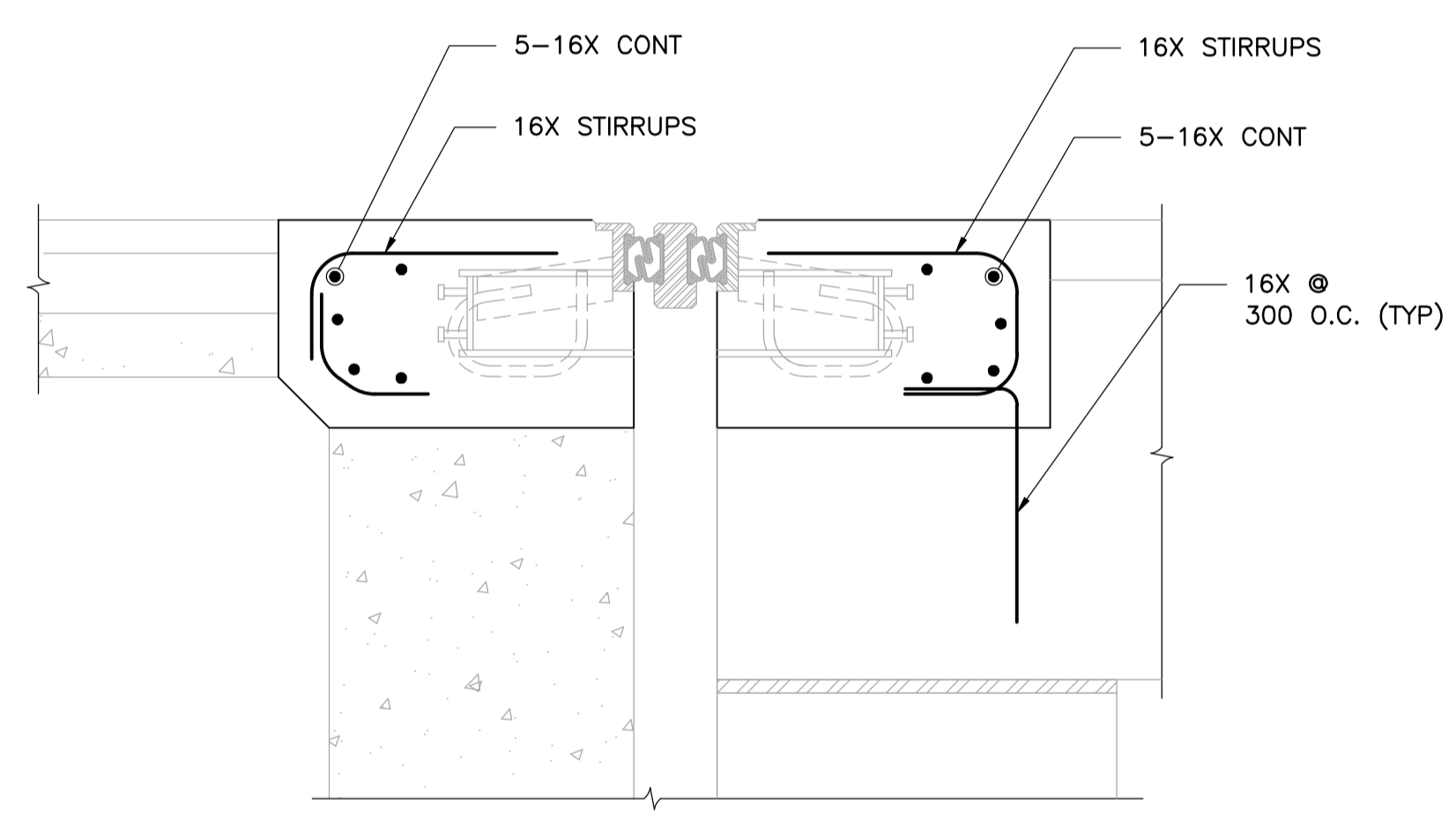
1 PLAN - EXPANSION JOINT AT NORTH ABUTMENT - PHASE 1 REINFORCING
1 : 20



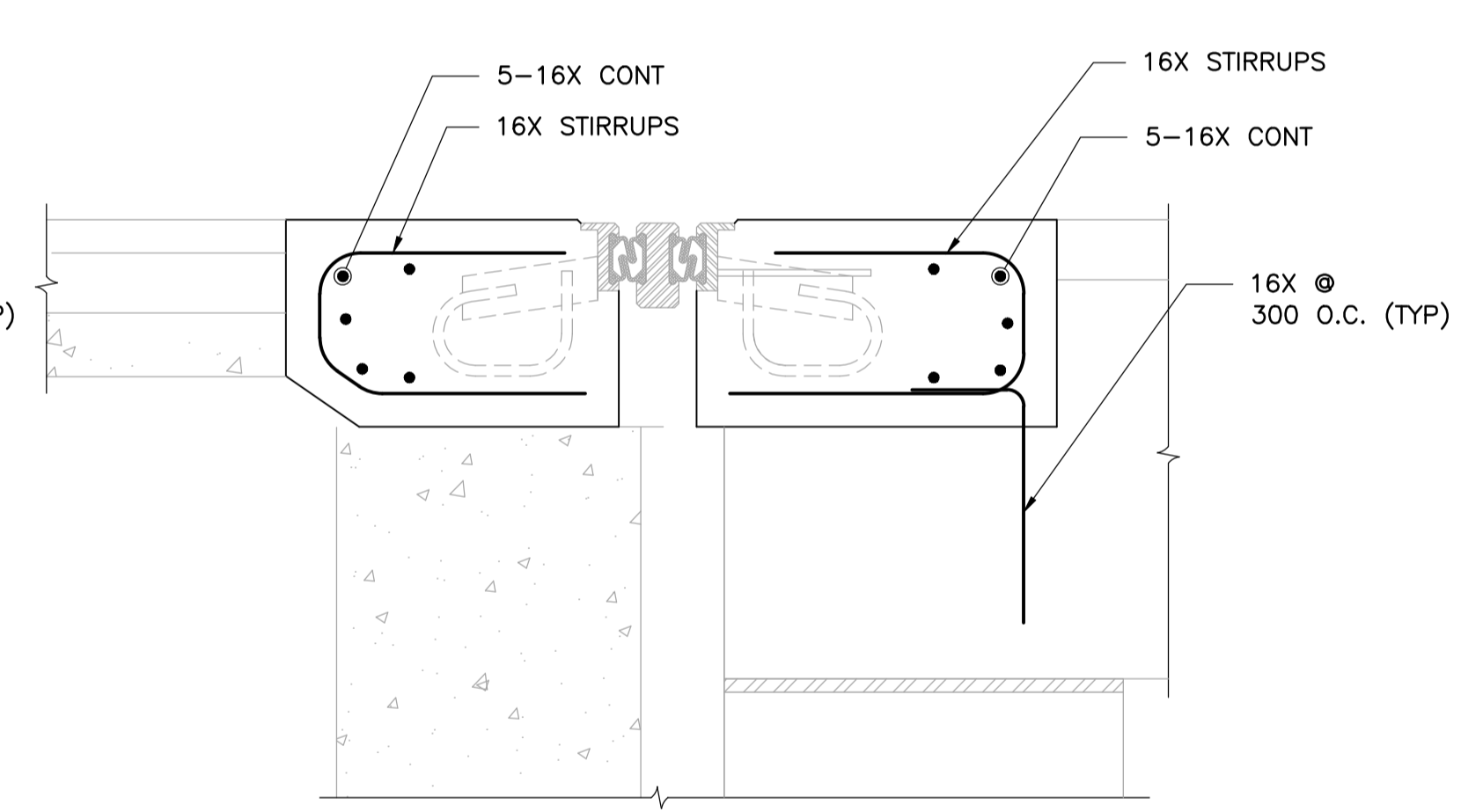
2 ELEVATION - EXPANSION JOINT AT NORTH ABUTMENT - PHASE 1 REINFORCING
1 : 20



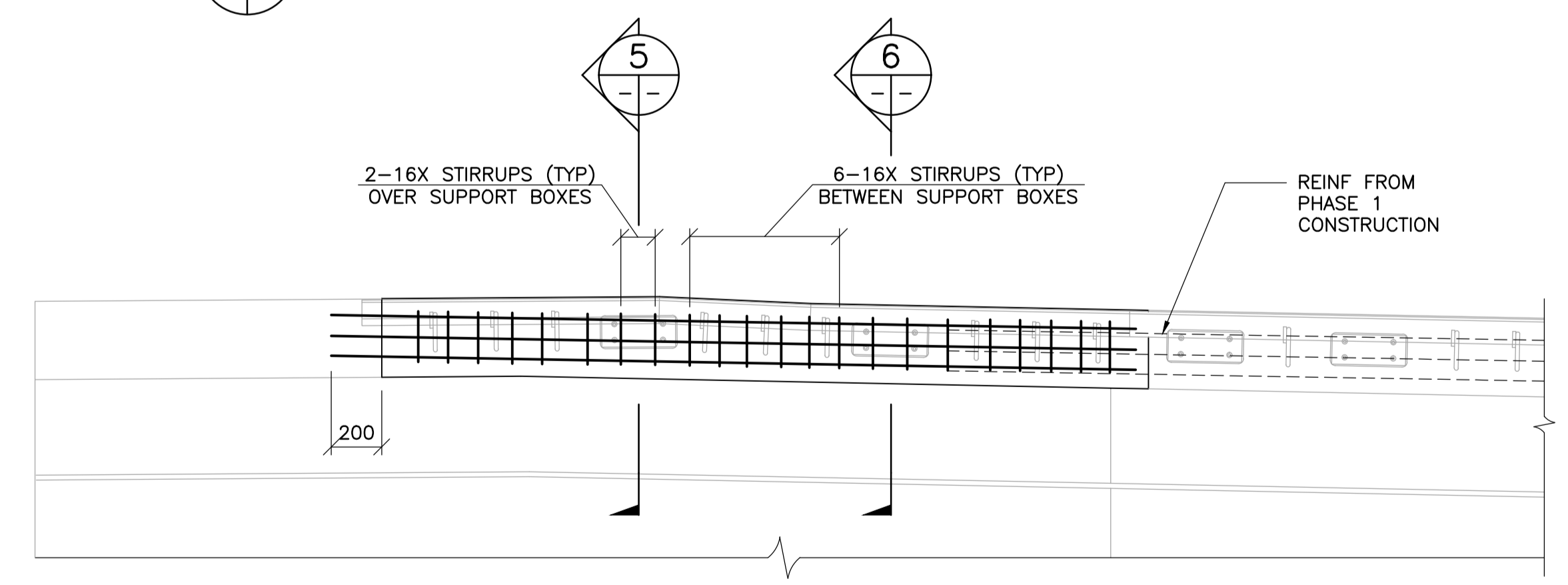
3 PLAN - EXPANSION JOINT AT NORTH ABUTMENT - PHASE 1A REINFORCING
1 : 20



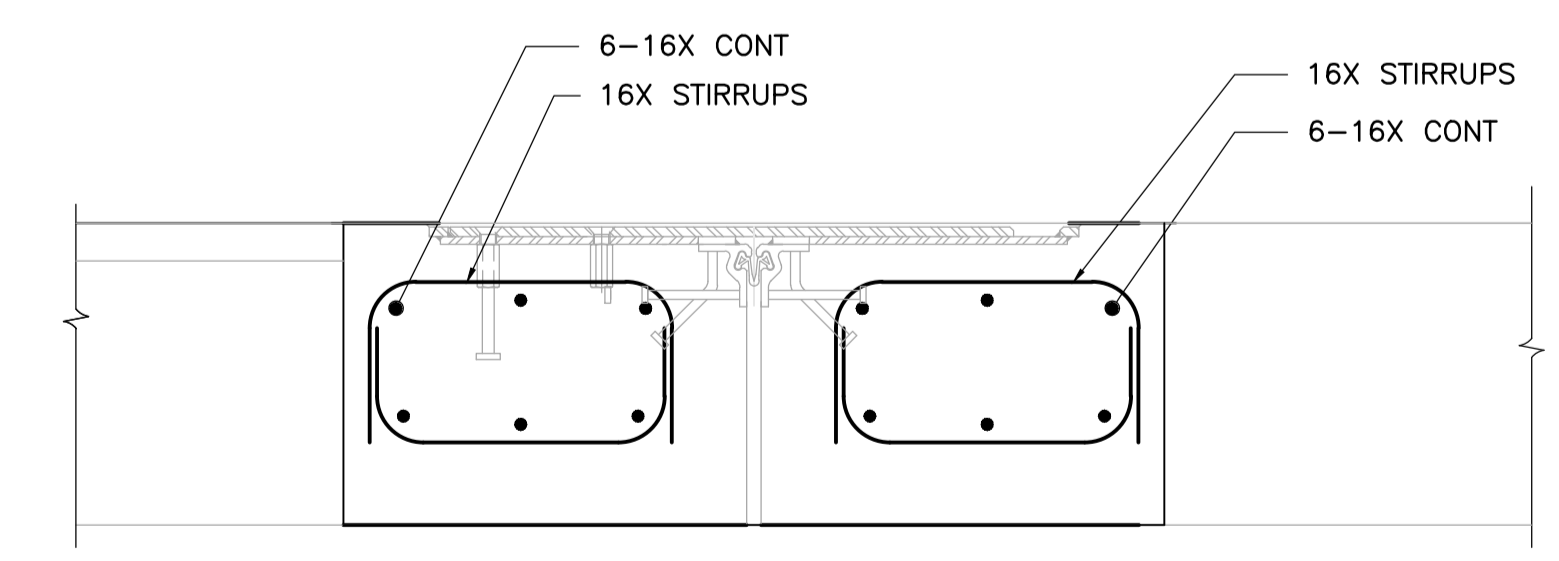
5 SECTION AT EXPANSION JOINT BOXES
1 : 10



6 SECTION BETWEEN EXPANSION JOINT BOXES
1 : 10



4 ELEVATION - EXPANSION JOINT AT NORTH ABUTMENT - PHASE 1A REINFORCING
1 : 20



7 SECTION AT SIDEWALK
1 : 10



B.M. ELEV.	F.B.	DATE	BY
		11.02.18	VB
		10.12.03	

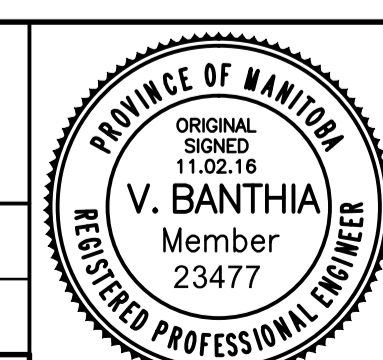
WARDROP
ATETRA TECH COMPANY

DESIGNED BY: K.Y.
CHECKED BY: V.B.
DRAWN BY: E.M.M.
APPROVED BY: R.H.W.

HOR. SCALE: AS NOTED
VERTICAL: AS NOTED

RELEASED FOR CONSTRUCTION ORIGINAL SIGNED DATE: 11.02.18
DATE: 11.02.18

CONSULTANT DRAWING NO. 0900070500-DWG-S0103
WALT ORSLETT, P. ENG. BRIDGE PROJECT'S ENGINEER



THE CITY OF WINNIPEG
PUBLIC WORKS DEPARTMENT
ENGINEERING DIVISION

OSBORNE STREET BRIDGE
REHABILITATION & RELATED WORKS

NORTH EXPANSION JOINT
PHASE 1 & PHASE 1A REINFORCING

CITY DRAWING NUMBER: B109-11-108
SHEET 103 OF 113

103