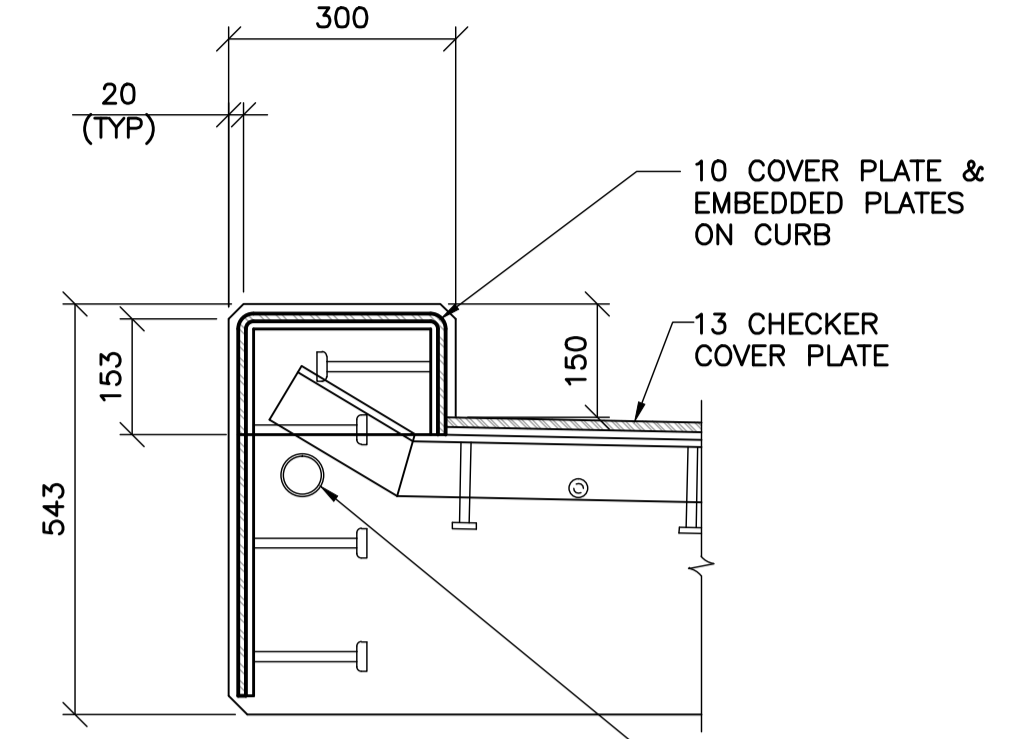
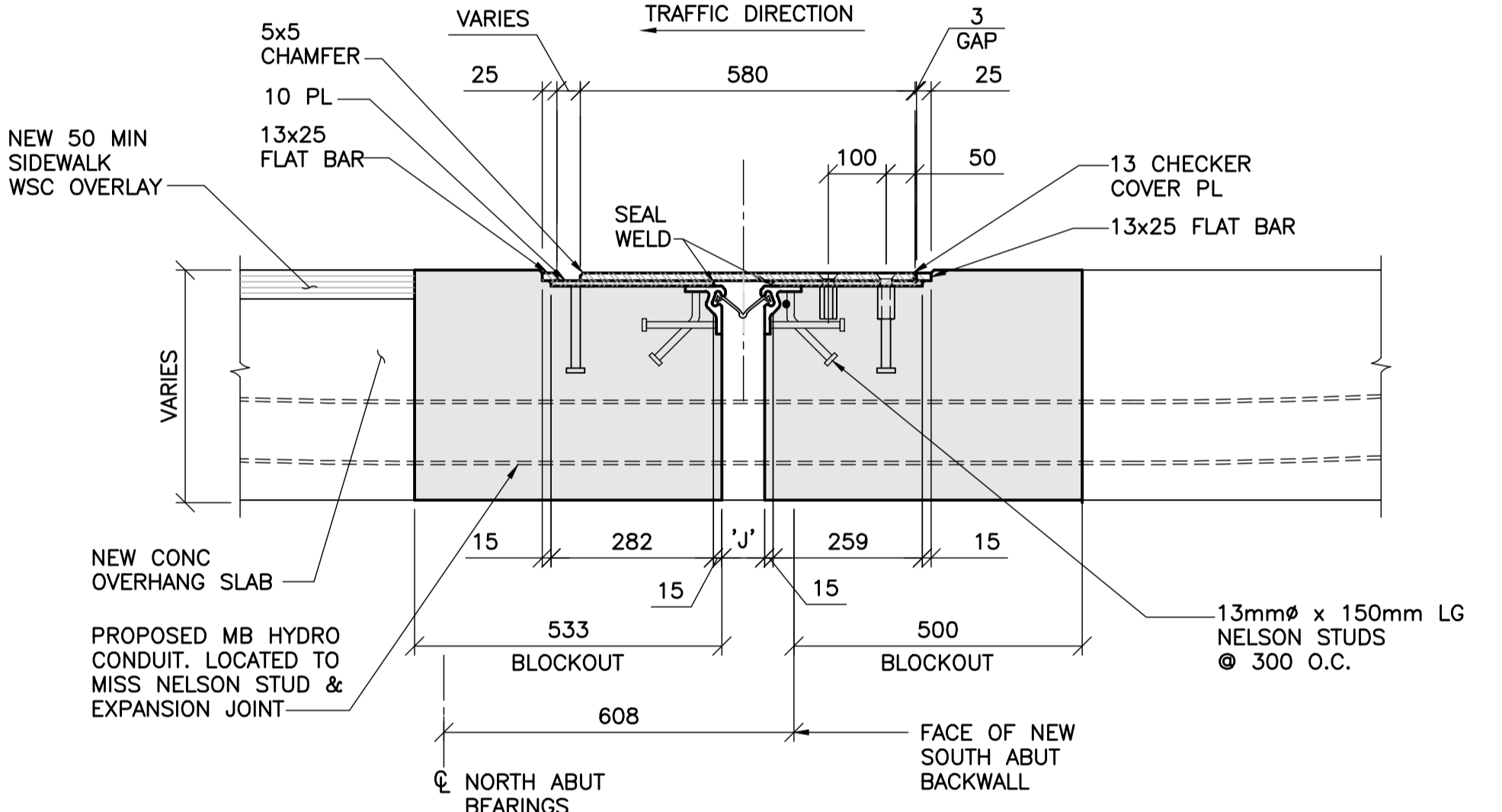


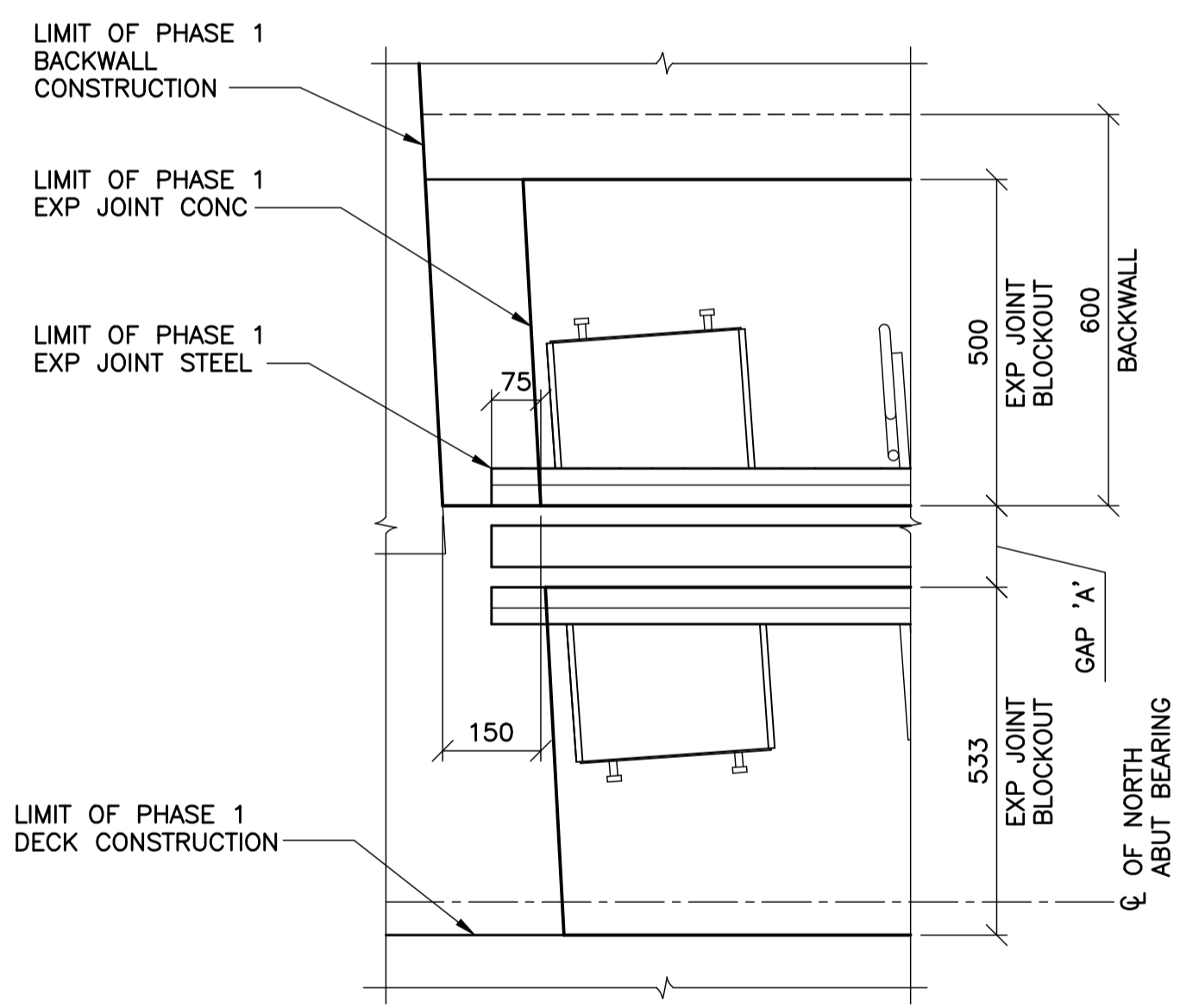
1 SECTION  
1 : 10  
- WABO MODULAR D600



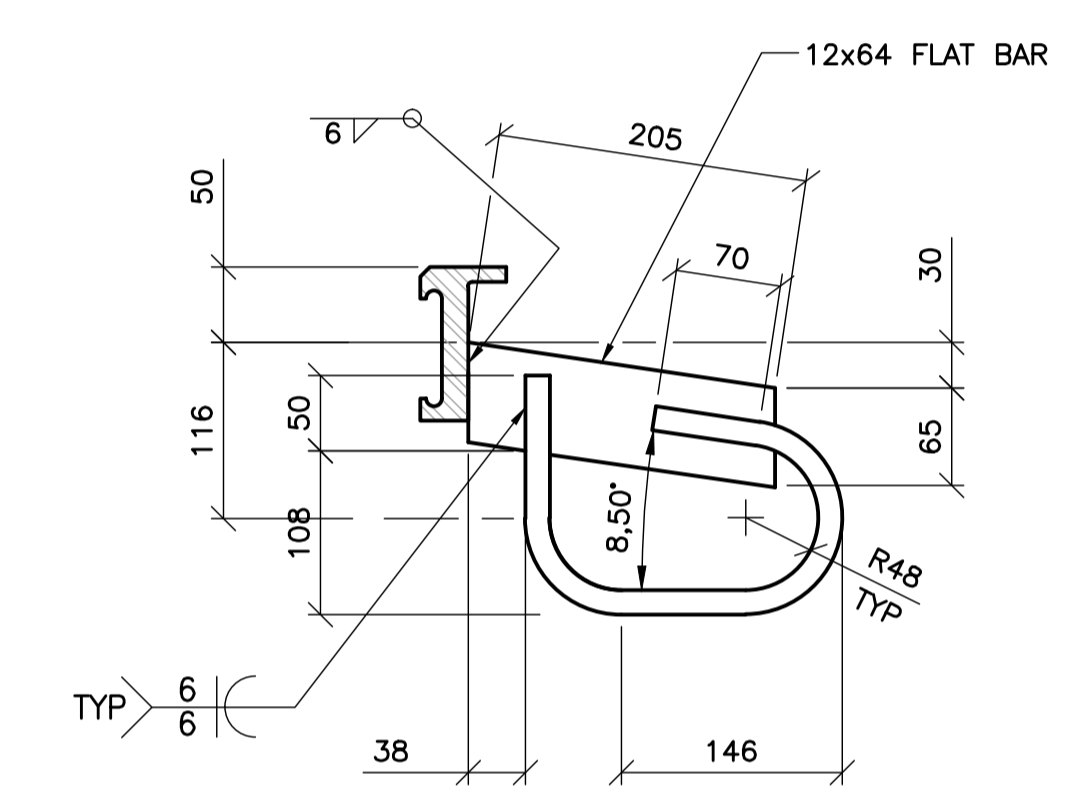
2 SECTION  
1 : 10  
- SE500 STRIPSEAL



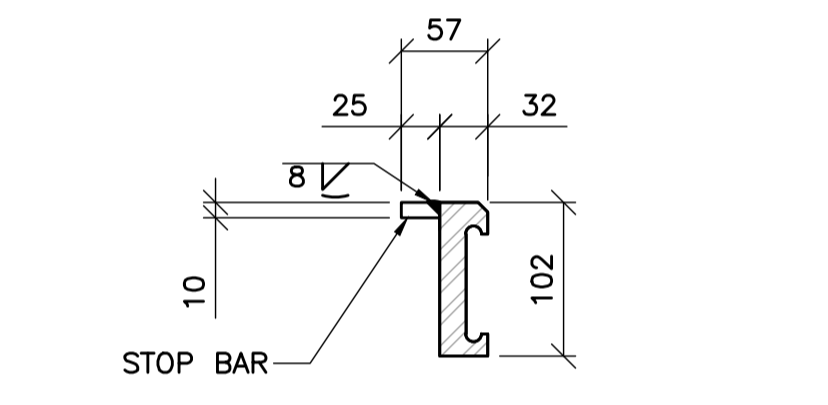
3 SECTION AT SIDEWALK  
1 : 10



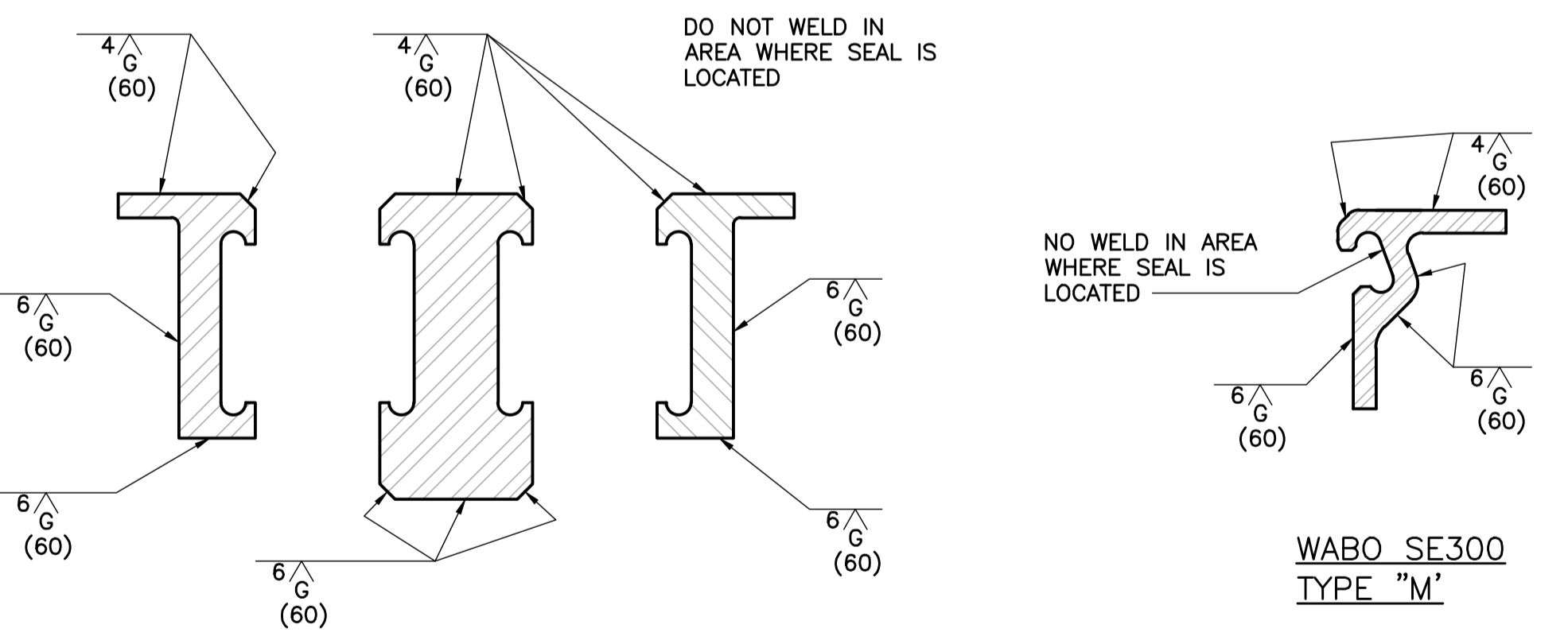
3 DETAIL  
1 : 10



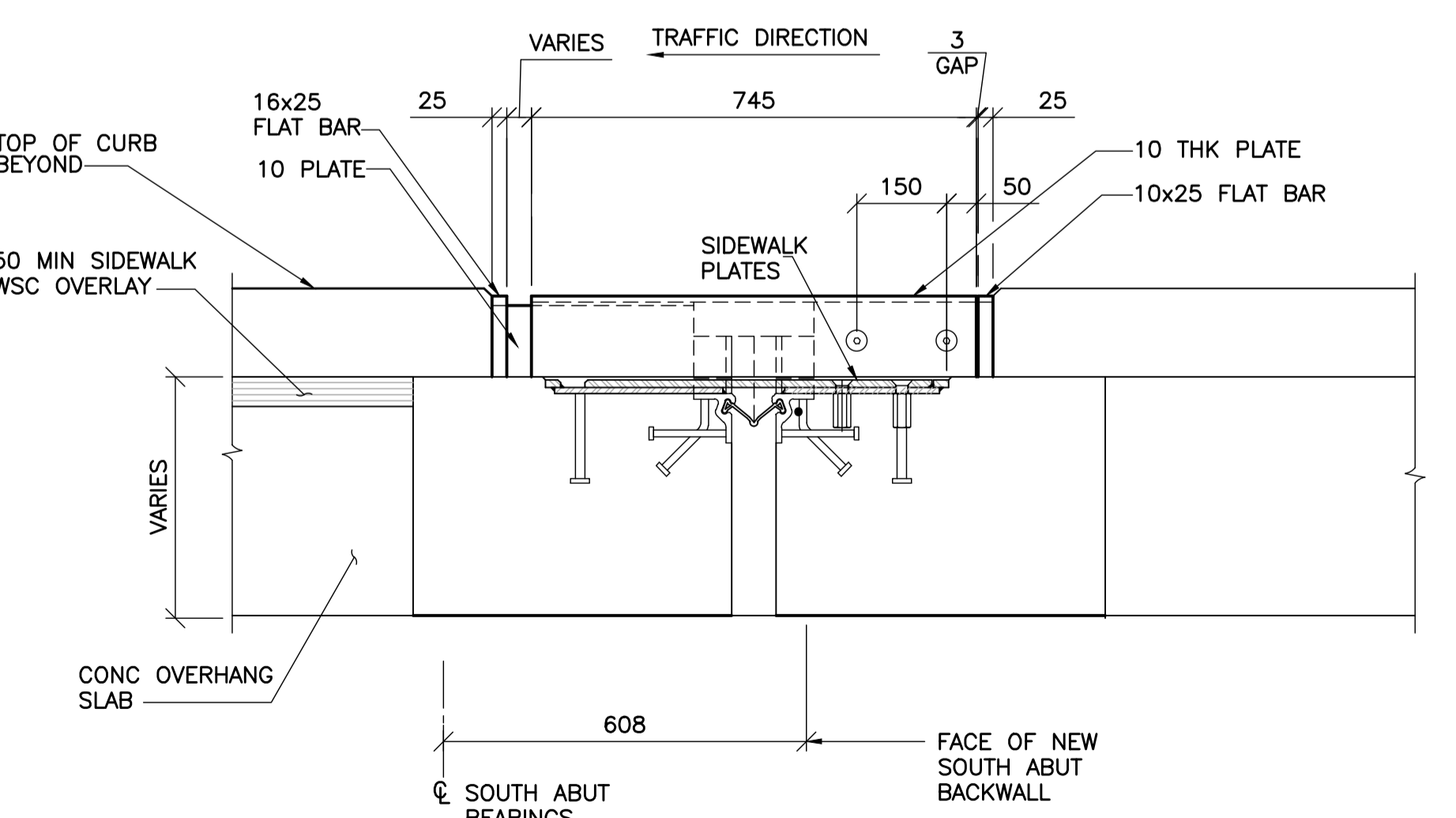
5 ANCHOR TYPE 'A'  
1 : 5



6 EDGE BEAM DETAIL  
1 : 5



7 TYPICAL EXPANSION JOINT FIELD SPLICE DETAILS  
NOT TO SCALE



4 SECTION AT SIDEWALK  
1 : 10



B.M. ELEV.	F.B.				OSBORNE STREET BRIDGE REHABILITATION & RELATED WORKS	CITY DRAWING NUMBER B109-11-102 SHEET 97 OF 131
DESIGNED BY V.B.	CHECKED BY V.B.					
DRAWN BY E.M.M.	APPROVED BY R.H.W.	HORIZONTAL SCALE: AS NOTED VERTICAL SCALE: AS NOTED	DATE 11.02.16 RELEASED FOR CONSTRUCTION ORIGINAL SIGNED 11.02.16	DATE 10.12.03 BY VB	MATT CHISLETT, P.ENG. BRIDGE PROJECT'S ENGINEER	