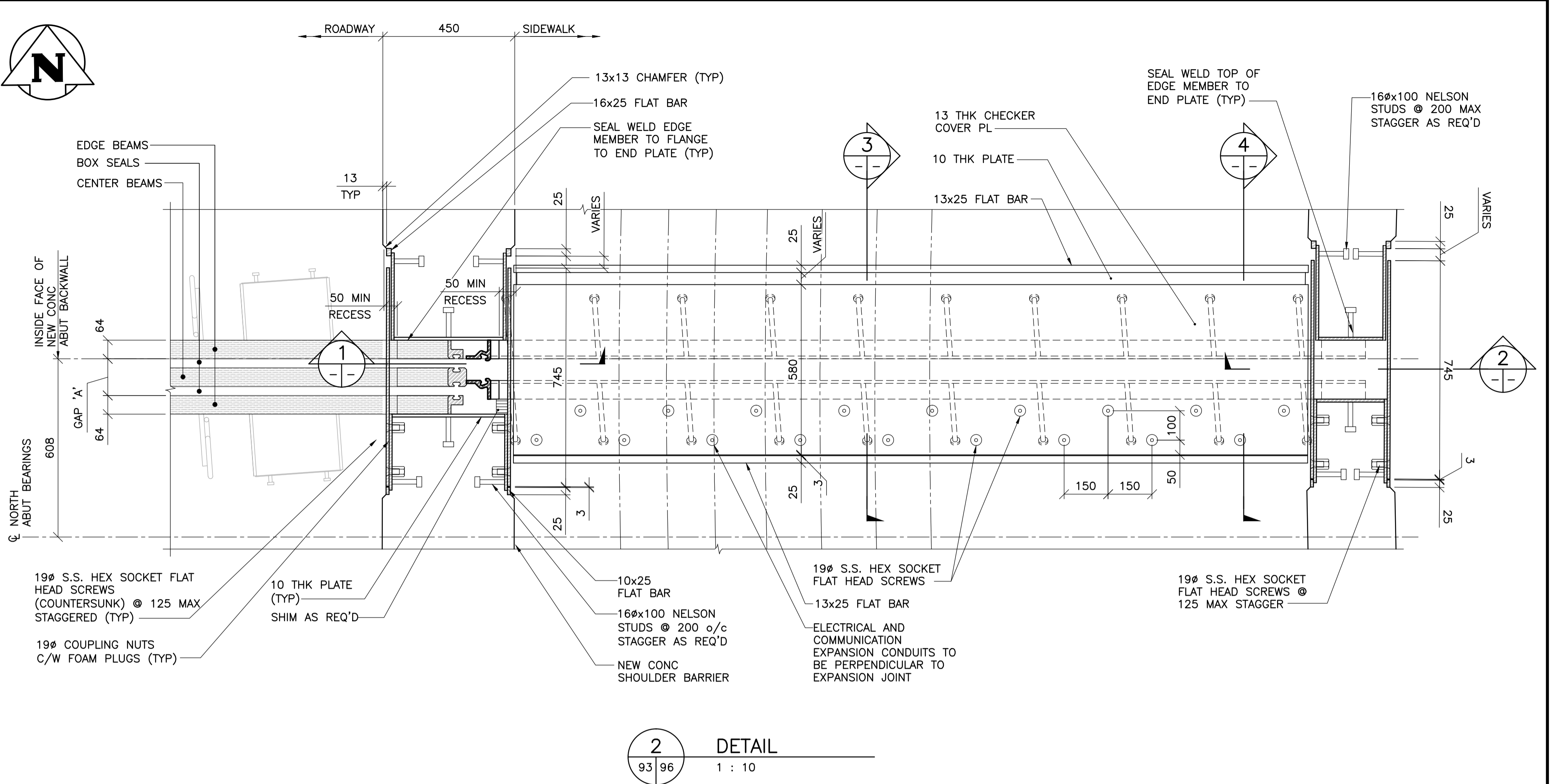
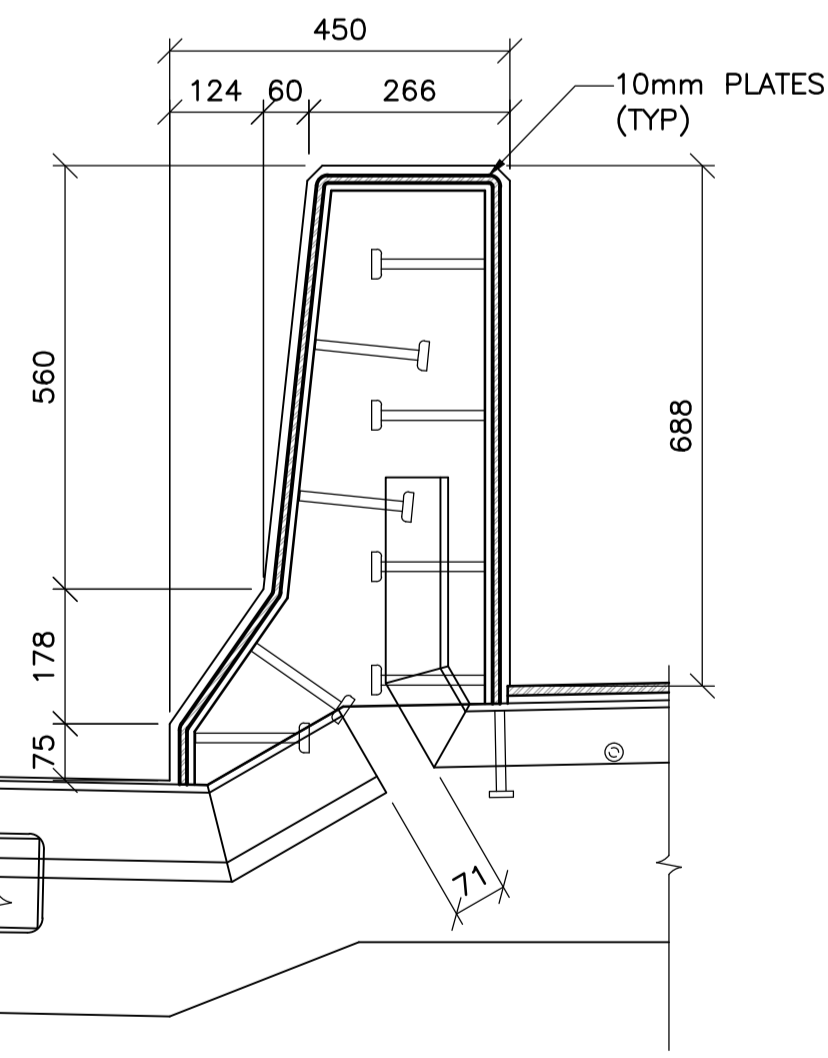


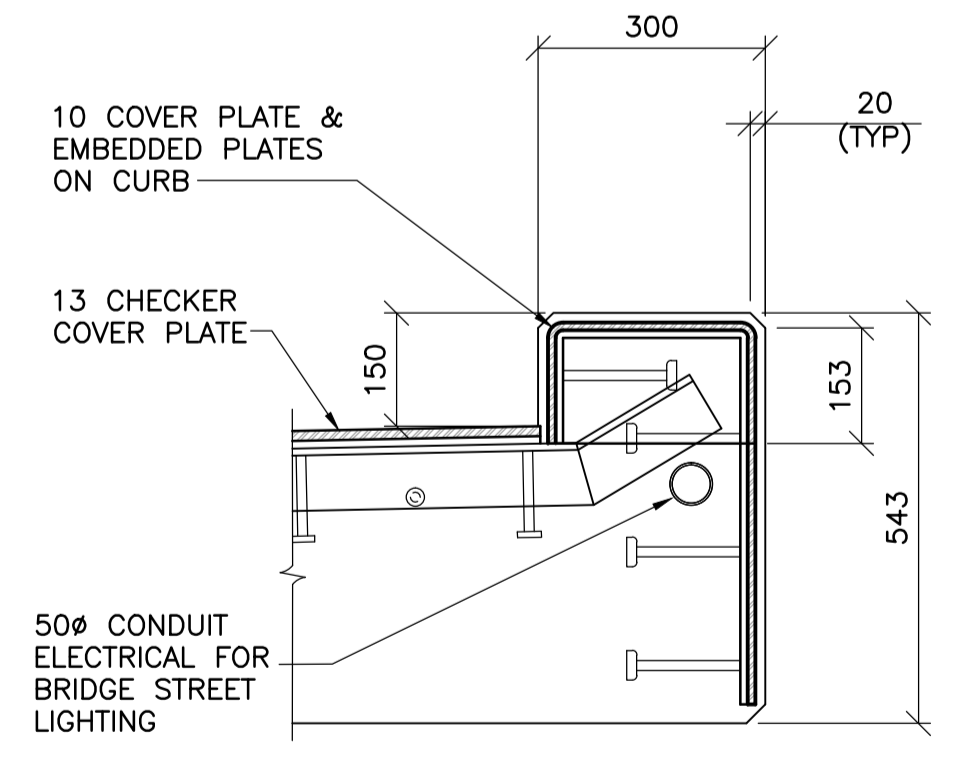
1 SECTION
1 : 10
- SHOWING EAST BARRIER AT NORTH ABUTMENT, WEST AND MEDIAN BARRIER SIMILAR



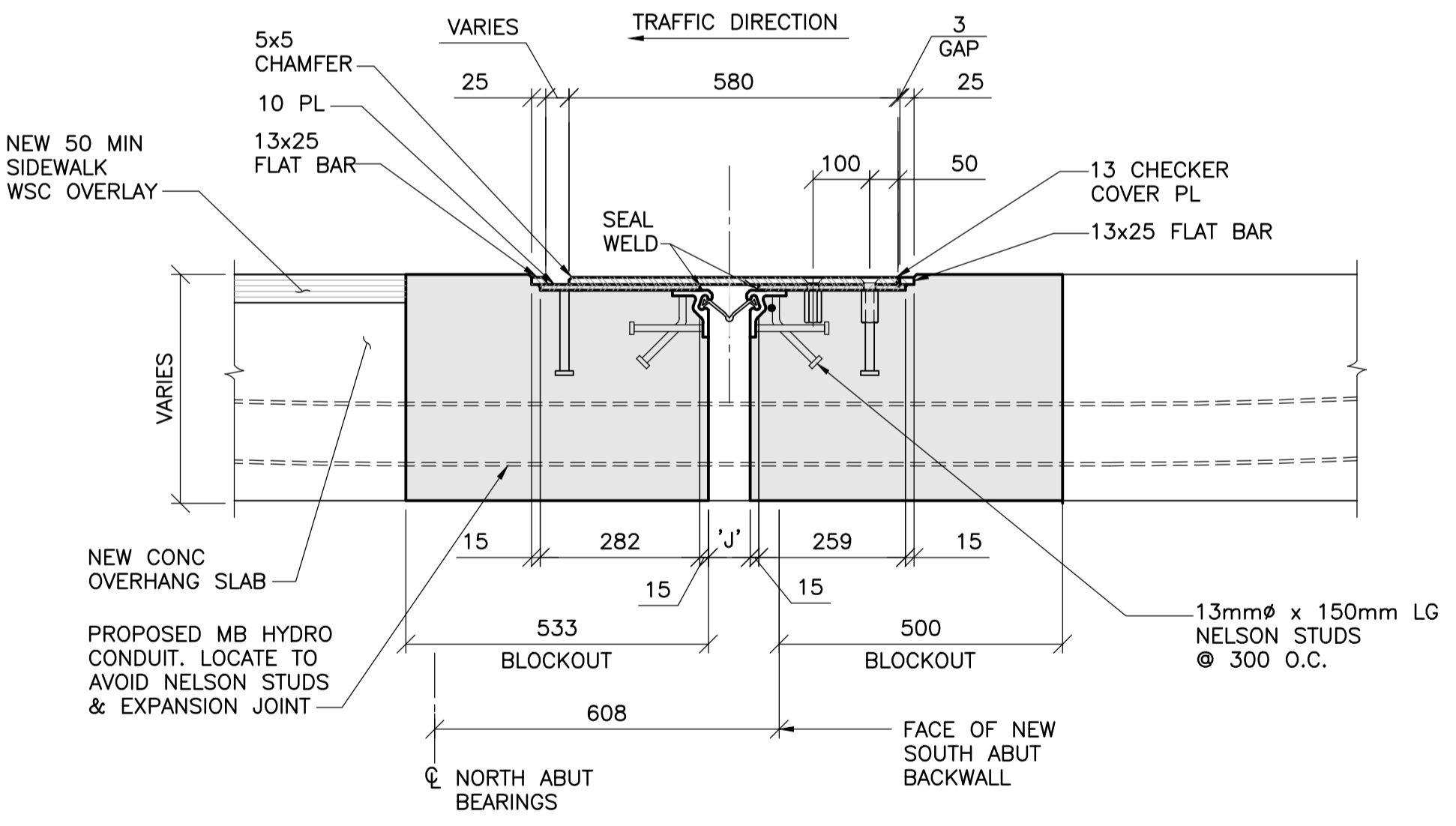
2 DETAIL
1 : 10



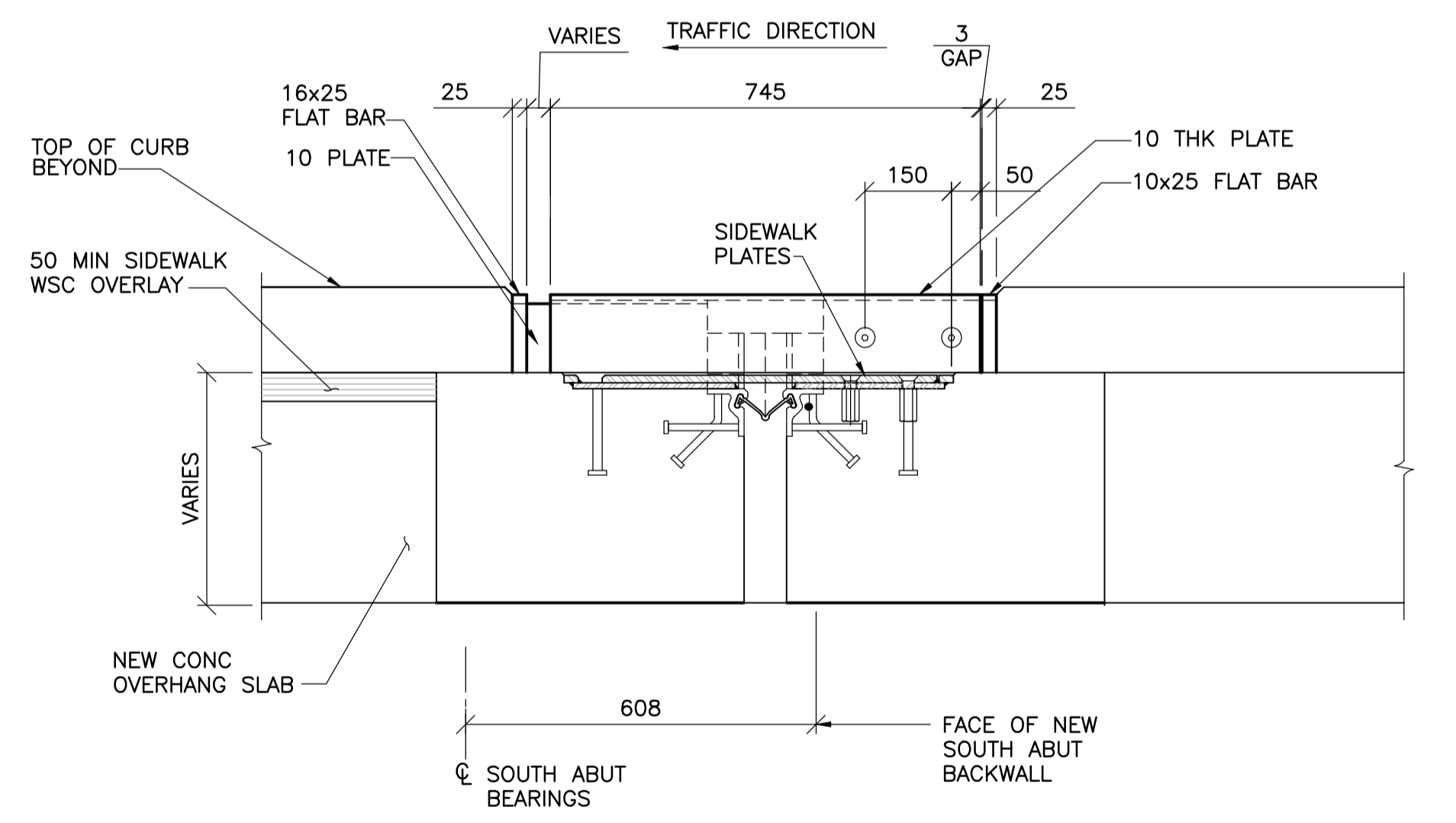
1 SECTION
1 : 10
- WABO MODULAR D600



2 SECTION
1 : 10
- SE500 STRIPSEAL



3 SECTION AT SIDEWALK
1 : 10

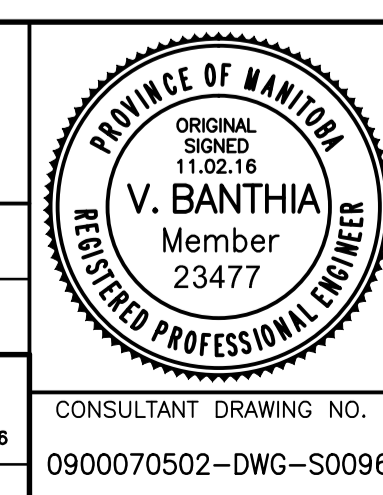


4 SECTION AT SIDEWALK
1 : 10



B.M. ELEV.	F.B.	DATE	BY
		11.02.18	VB
		10.12.03	

WARDROP ATETRA TECH COMPANY	
DESIGNED BY: V.B.	CHECKED BY: V.B.
DRAWN BY: E.M.M.	APPROVED BY: R.H.W.
HOR. SCALE: AS NOTED	RELEASED FOR CONSTRUCTION DATE: 11.02.18
VERTICAL: AS NOTED	ORIGINAL SIGNED DATE: 11.02.18
00 ISSUED FOR TENDER	11.02.18 VB
NO. REVISIONS	DATE BY



THE CITY OF WINNIPEG PUBLIC WORKS DEPARTMENT ENGINEERING DIVISION	
OSBORNE STREET BRIDGE REHABILITATION & RELATED WORKS	
NORTH EXPANSION JOINT	
CITY DRAWING NUMBER B109-11-101	SHEET OF 96 131
CONSULTANT DRAWING NO. 0900070502-DWG-S0096	
96	