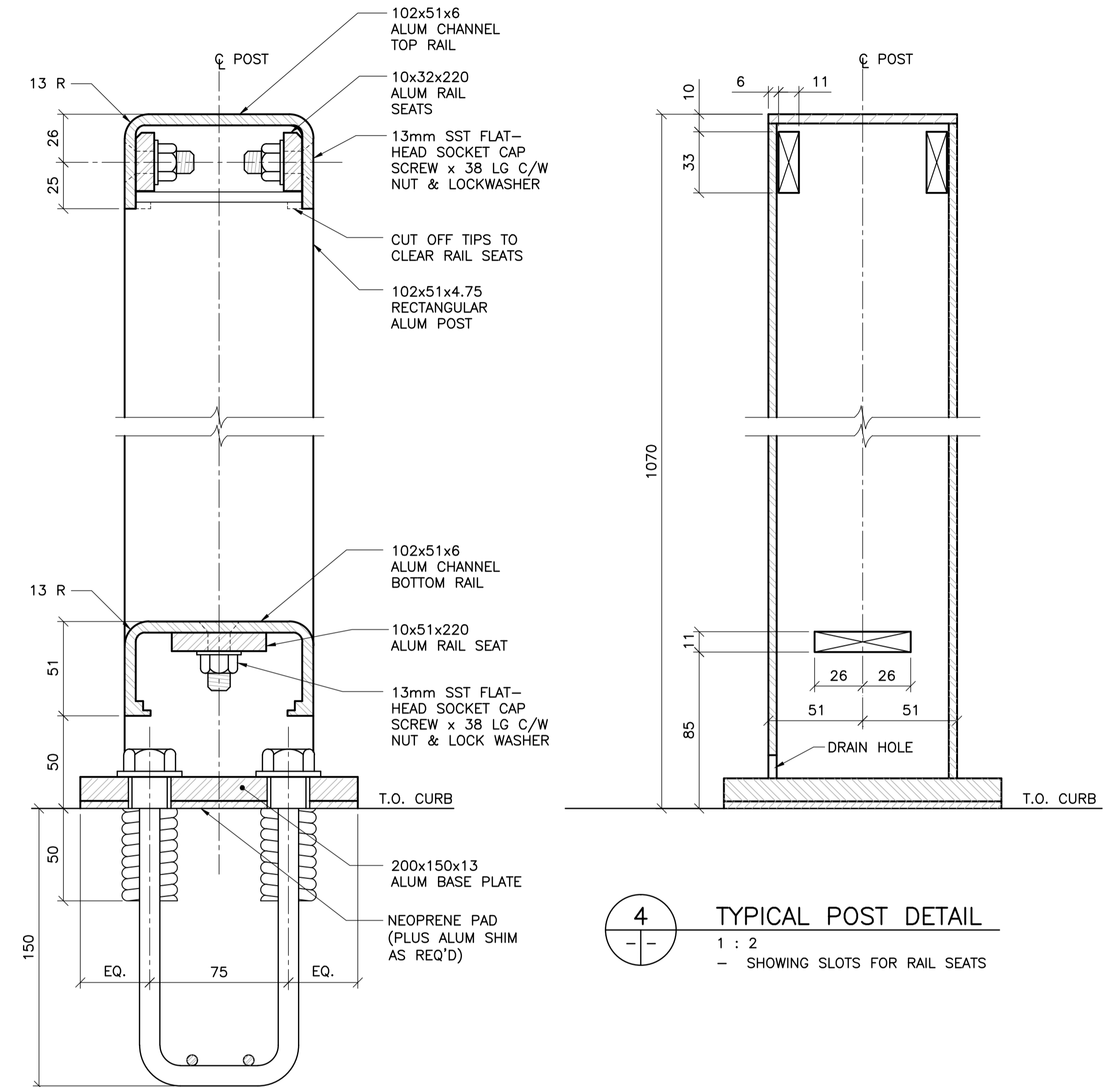


1
- -
DETAIL AT END POSTS
1 : 2

2
- -
DETAIL AT INTERMEDIATE POSTS
1 : 2



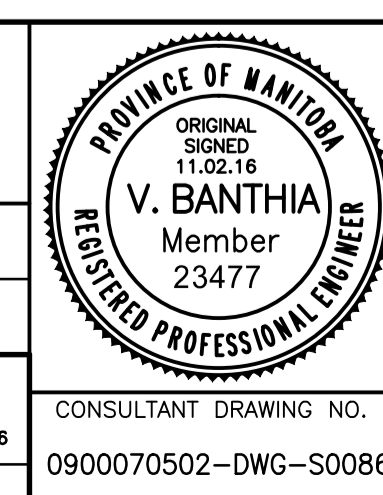
3
- -
HANDRAIL POST SECTION
1 : 2

4
- -
TYPICAL POST DETAIL
1 : 2
- SHOWING SLOTS FOR RAIL SEATS



B.M. ELEV.	F.B.	DATE	BY
00	ISSUED FOR TENDER	11.02.18	VB
	NO. REVISIONS	DATE	BY
		10.12.03	

WARDROP ATETRA TECH COMPANY	
DESIGNED BY V.B.	CHECKED BY V.B.
DRAWN BY E.M.M./G.I.	APPROVED BY R.H.W.
HOR. SCALE: AS NOTED	RELEASED FOR CONSTRUCTION DATE 11.02.18
VERTICAL: AS NOTED	ORIGINAL SIGNED DATE 11.02.18
DATE 10.12.03	CONSULTANT DRAWING NO. 0900070502-DWG-S0086



THE CITY OF WINNIPEG PUBLIC WORKS DEPARTMENT ENGINEERING DIVISION	
OSBORNE STREET BRIDGE REHABILITATION & RELATED WORKS	CITY DRAWING NUMBER B109-11-091 SHEET 86 OF 131
ALUMINUM PEDESTRIAN HANDRAIL SECTIONS AND DETAILS	
86	