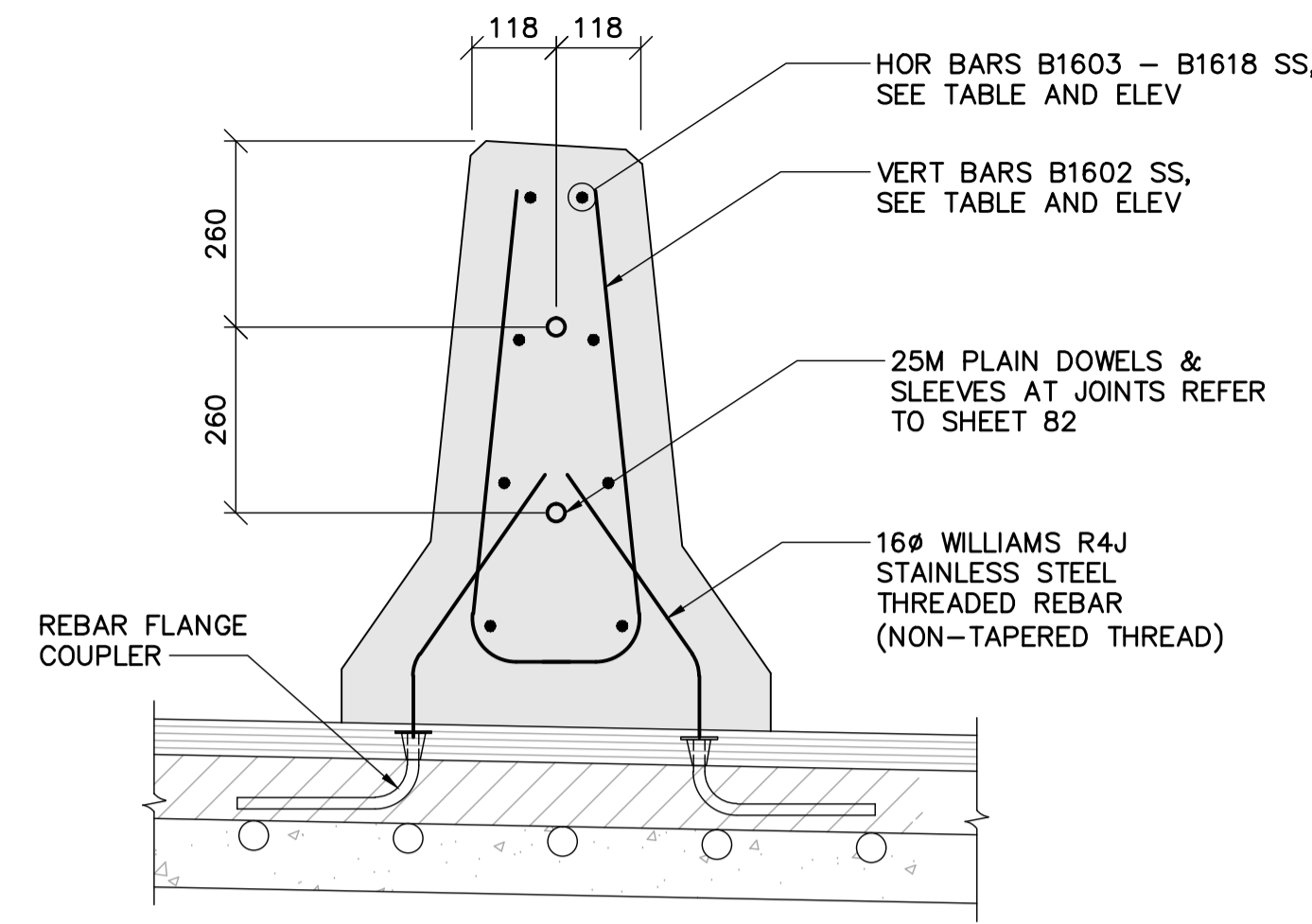
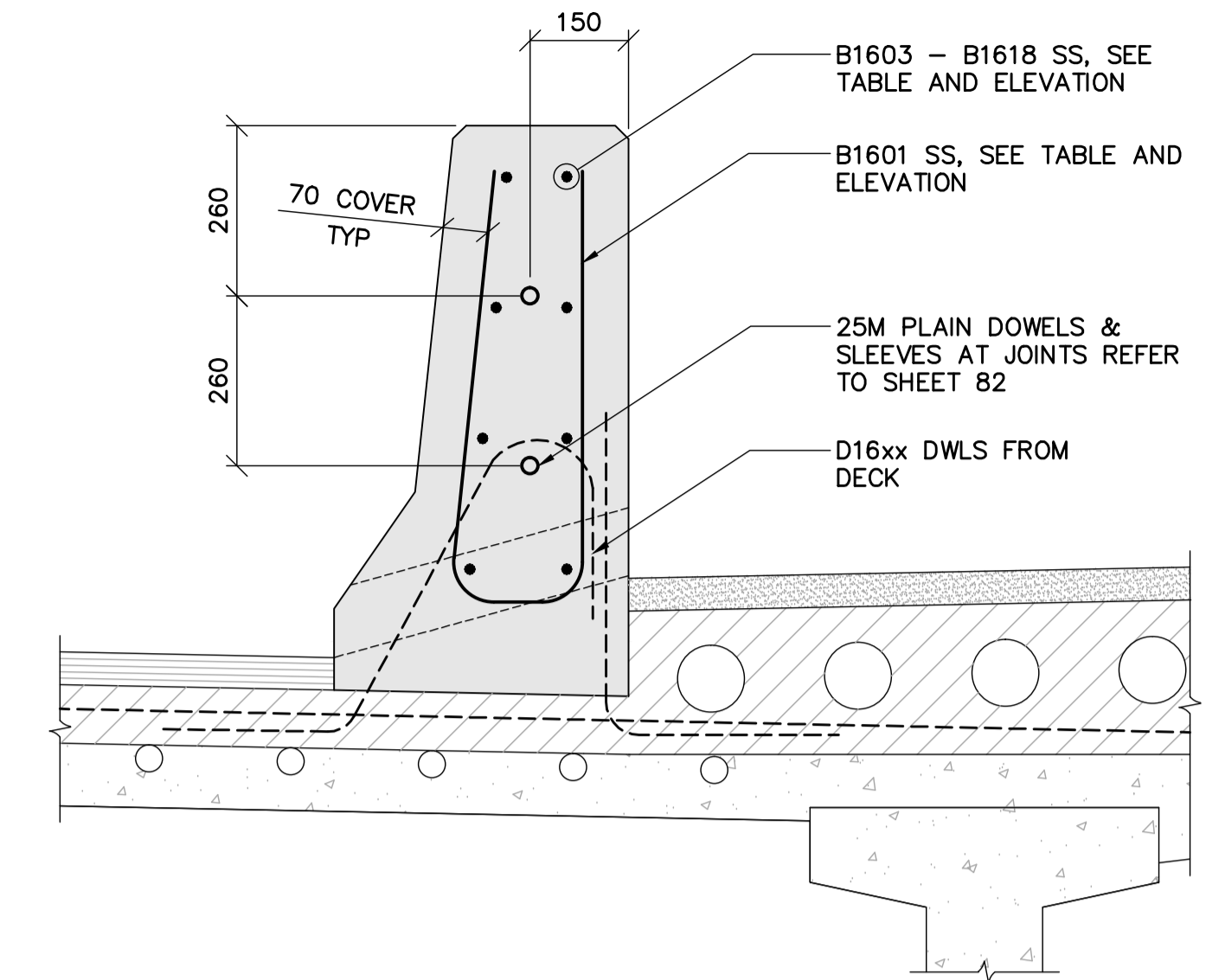


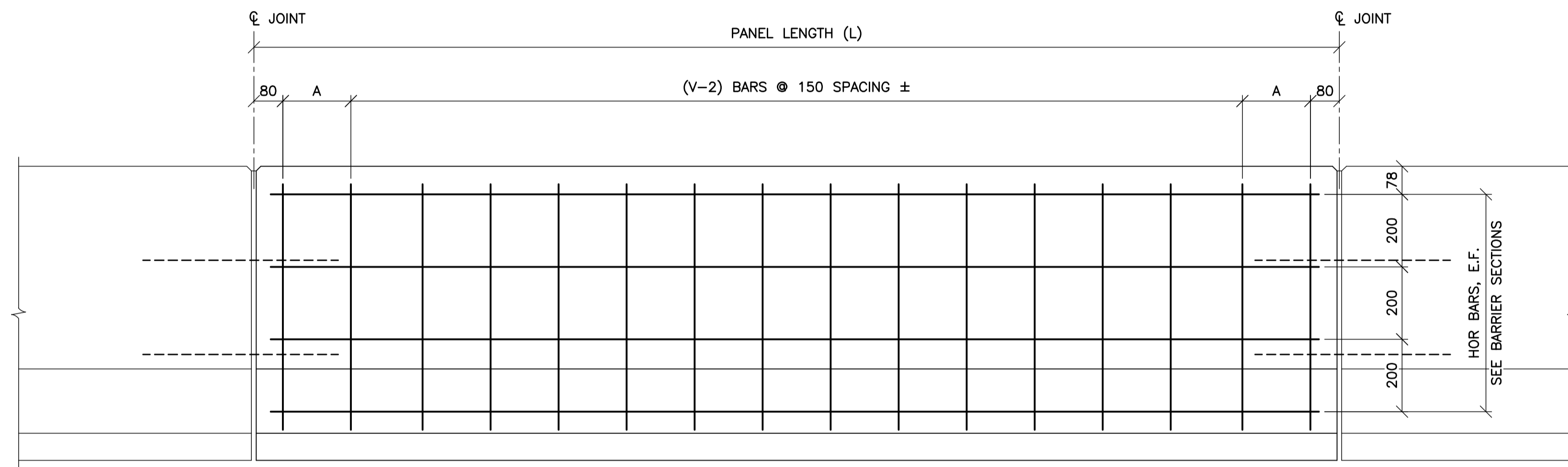
1 WEST CONC SHOULDER BARRIER  
1 : 10



2 MEDIAN CONC BARRIER  
1 : 10

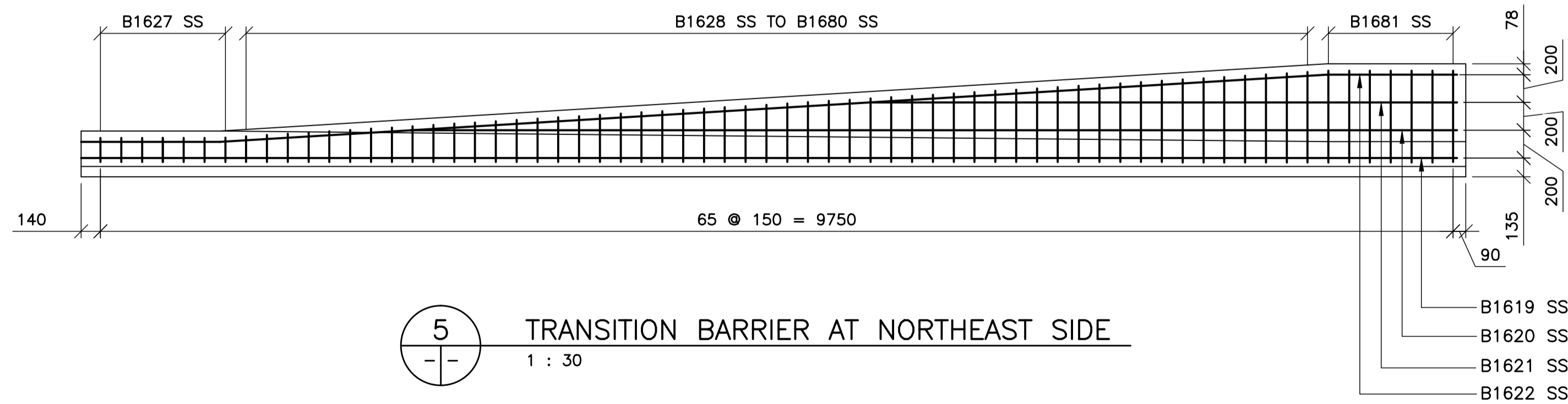


3 EAST CONC SHOULDER BARRIER  
1 : 10

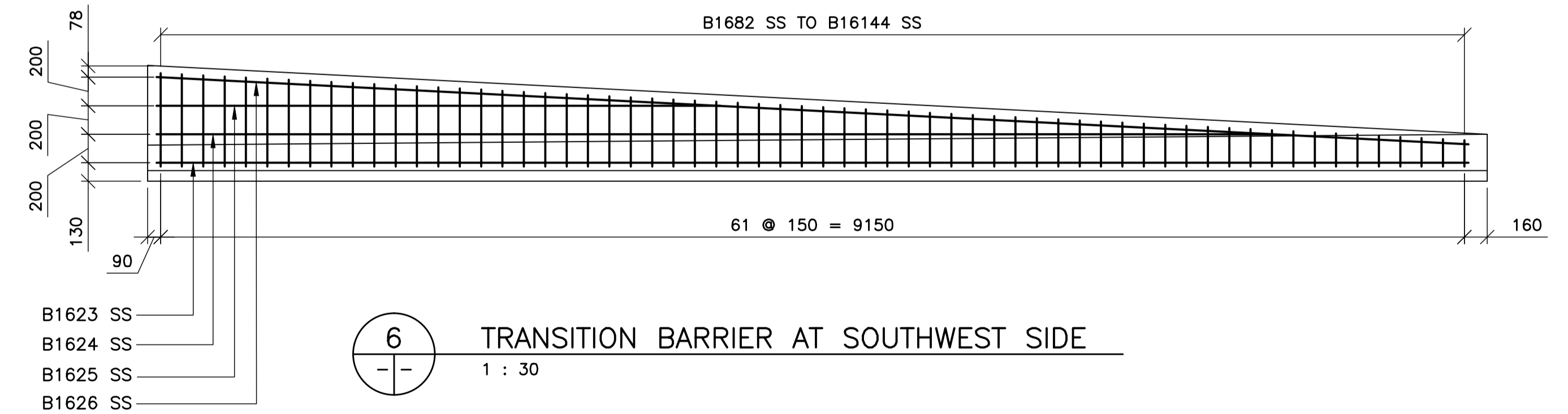


4 ELEVATION - BRIDGE BARRIER REINFORCING  
1 : 10

| PANEL LENGTH (L) | No. OF PANEL REQ'D         |                       | QTY-Mk No. OF VERT BARS (V) PER PANEL | DISTANCE TO END BARS (VS) A | QTY-Mk No. OF HOR BARS (H) PER PANEL |
|------------------|----------------------------|-----------------------|---------------------------------------|-----------------------------|--------------------------------------|
|                  | EAST & WEST BARRIER PANELS | MEDIAN BARRIER PANELS |                                       |                             |                                      |
| 3000             | 80                         | 40                    | 20-B1601 OR B1602                     | 145                         | -B1603                               |
| 2500             | 13                         | 9                     | 17-B1601 OR B1602                     | 120                         | -B1604                               |
| 2167             | 1                          |                       | 15-B1601 OR B1602                     | 130.5                       | -B1605                               |
| 2792             | 1                          |                       | 19-B1601 OR B1602                     | 116                         | -B1606                               |
| 2955             | 1                          |                       | 20-B1601 OR B1602                     | 122.5                       | -B1607                               |
| 2114             | 1                          |                       | 14-B1601 OR B1602                     | 152                         | -B1608                               |
| 1900             | 1                          | 1                     | 13-B1601 OR B1602                     | 120                         | -B1609                               |
| 1931             | 1                          | 1                     | 13-B1601 OR B1602                     | 135.5                       | -B1610                               |
| 2771             | 1                          |                       | 19-B1601 OR B1602                     | 105.5                       | -B1611                               |
| 2610             | 1                          |                       | 18-B1601 OR B1602                     | 100                         | -B1612                               |
| 2164             | 1                          |                       | 15-B1601 OR B1602                     | 102                         | -B1613                               |
| 3396             |                            | 1                     | 23-B1601 OR B1602                     | 118                         | -B1614                               |
| 2513             |                            | 1                     | 17-B1601 OR B1602                     | 126.5                       | -B1615                               |
| 2784             |                            | 1                     | 19-B1601 OR B1602                     | 112                         | -B1616                               |
| 2861             |                            | 1                     | 19-B1601 OR B1602                     | 150.5                       | -B1617                               |
| 2000             |                            | 1                     | 14-B1601 OR B1602                     | 95                          | -B1618                               |



5 TRANSITION BARRIER AT NORTHEAST SIDE  
1 : 30

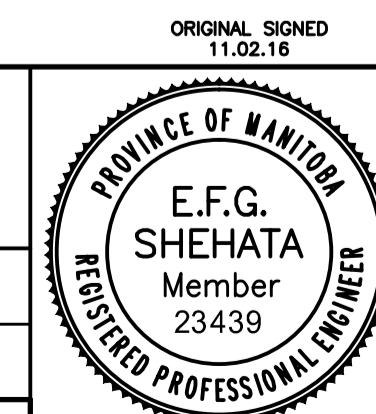


6 TRANSITION BARRIER AT SOUTHWEST SIDE  
1 : 30



|                      |              |
|----------------------|--------------|
| B.M. ELEV.           | F.B.         |
|                      |              |
| 00 ISSUED FOR TENDER | 11.02.18 EFS |
| NO. REVISIONS        | DATE BY      |

|  |   |
|--|---|
| <b>WARDROP</b><br>A TETRA TECH COMPANY |   |
| DESIGNED BY: S.Y.                      | CHECKED BY: E.F.S.                              |
| DRAWN BY: E.M.M.                       | APPROVED BY: R.H.W.                             |
| HOR. SCALE: AS NOTED                   | RELEASED FOR CONSTRUCTION DATE: 11.02.16        |
| VERTICAL: AS NOTED                     | ORIGINAL SIGNED: 11.02.16                       |
| DATE: 10.10.20                         | MATT CHISLETT, P. ENG. BRIDGE PROJECTS ENGINEER |



|  |                                    |
|--|------------------------------------|
| <b>THE CITY OF WINNIPEG</b><br>PUBLIC WORKS DEPARTMENT<br>ENGINEERING DIVISION |                                    |
| OSBORNE STREET BRIDGE<br>REHABILITATION & RELATED WORKS                        | CITY DRAWING NUMBER<br>B109-11-088 |
| CONCRETE BARRIER<br>REINFORCING DETAILS  | SHEET 83 OF 131                    |
| 83   |                                    |