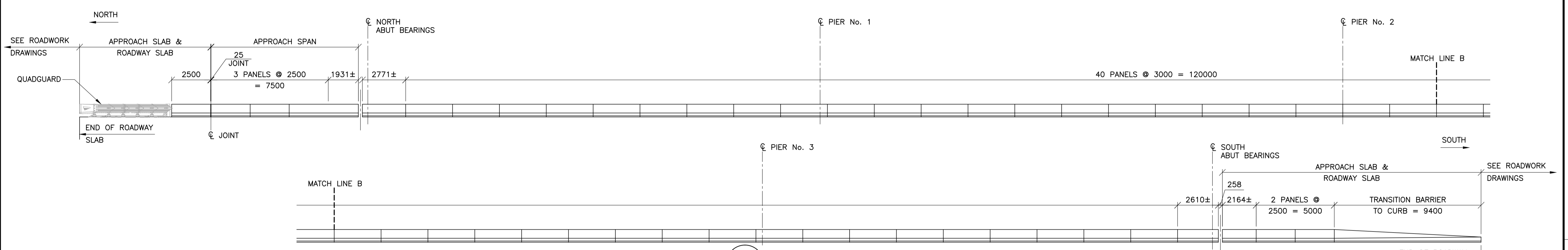
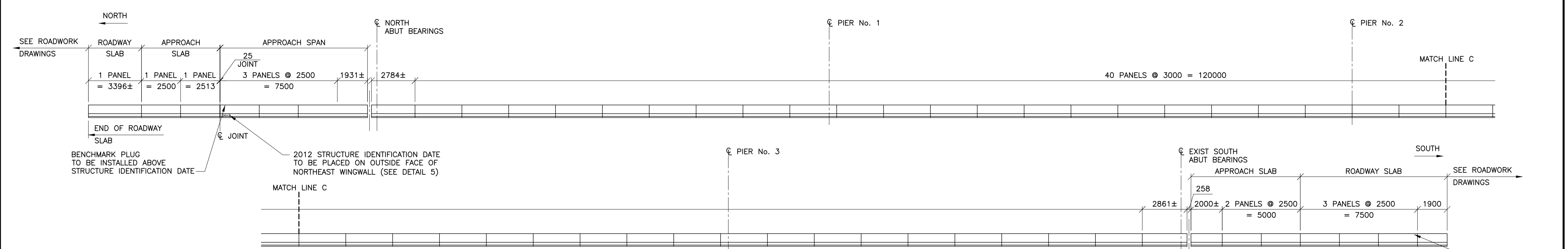


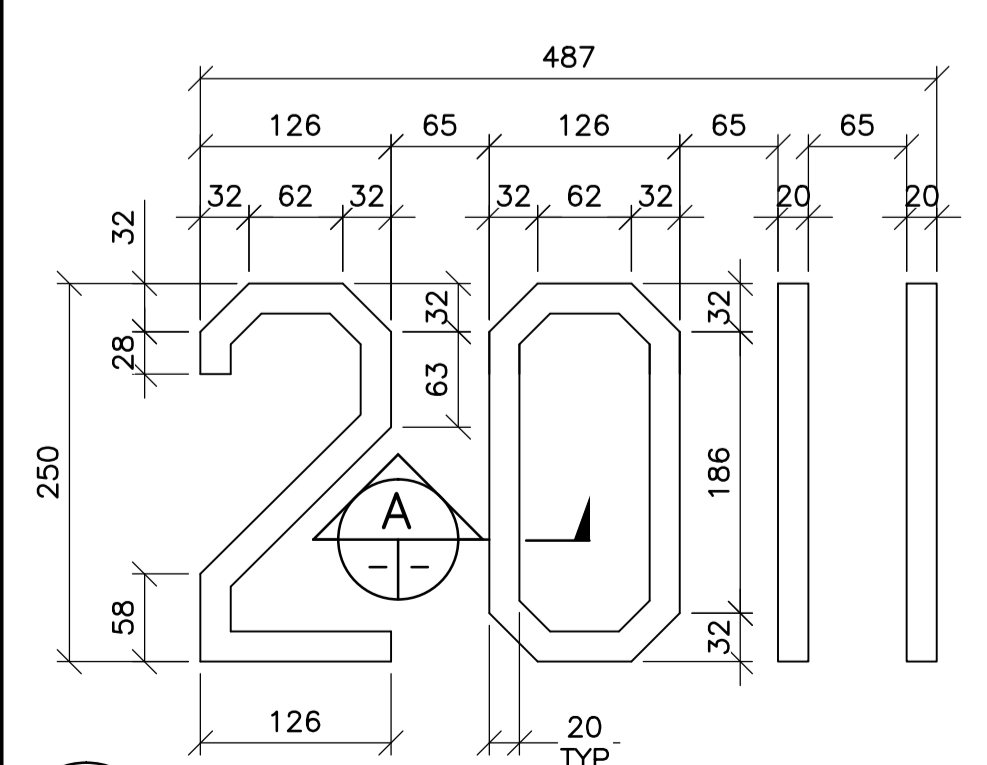
1 ELEVATION - EAST CONC SHOULDER BARRIER
 1 : 125
 - LOOKING WEST
 - MEASUREMENTS TAKEN ALONG CENTERLINE OF BARRIER



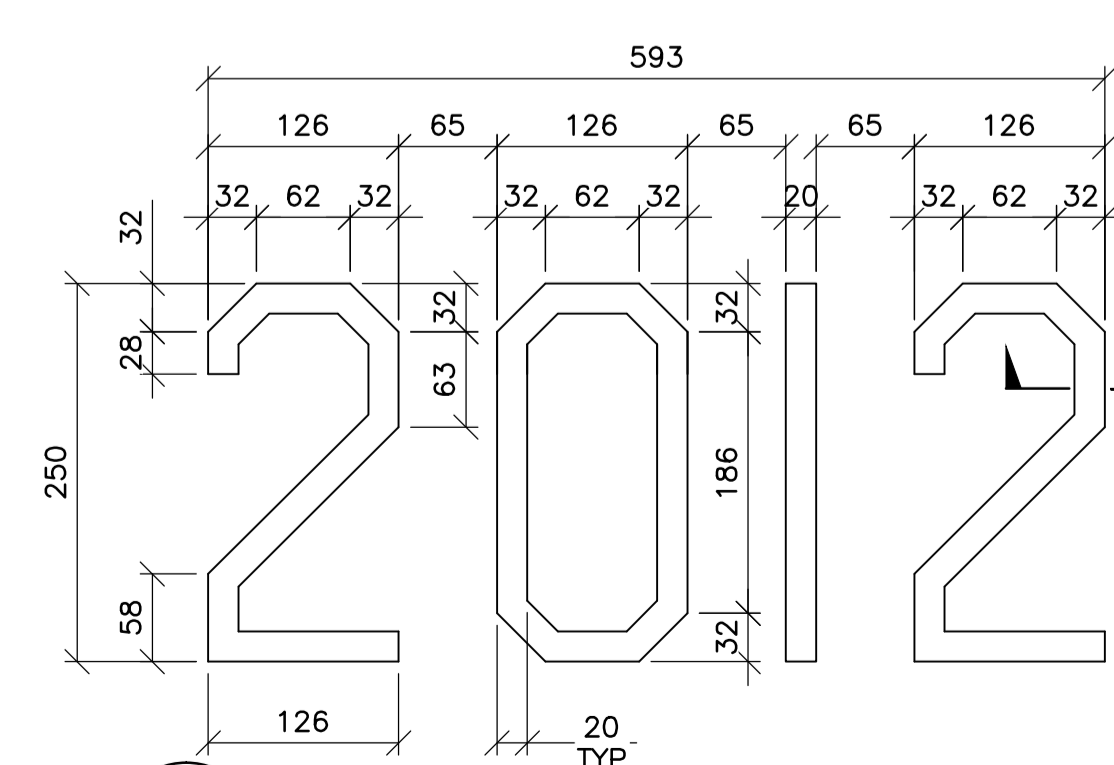
2 ELEVATION - WEST CONC SHOULDER BARRIER
 1 : 125
 - LOOKING WEST
 - MEASUREMENTS TAKEN ALONG CENTERLINE OF BARRIER



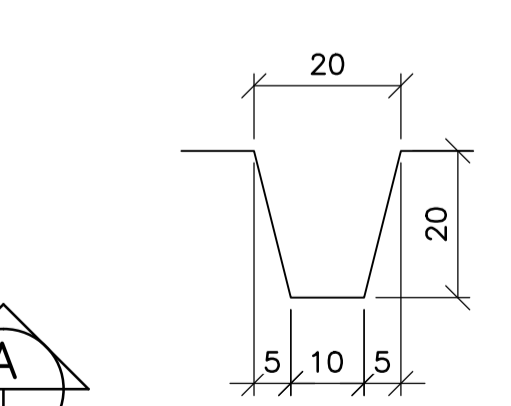
3 ELEVATION - MEDIAN CONC BARRIER
 1 : 125
 - LOOKING WEST
 - MEASUREMENTS TAKEN ALONG CENTERLINE OF BARRIER



4 STRUCTURE IDENTIFICATION DATE
 1 : 5
 - REQUIRED FOR EAST WINGWALL OF NORTH ABUTMENT



5 STRUCTURE IDENTIFICATION DATE
 1 : 5
 - REQUIRED FOR WEST WINGWALL OF NORTH ABUTMENT



SECTION A-A
 1 : 5



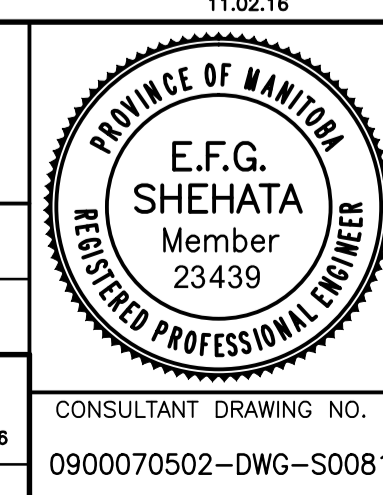
B.M. ELEV.	F.B.	DATE	BY
		11.02.18	EFS
		10.10.13	

WARDROP
 ATETRA TECH COMPANY

DESIGNED BY: S.Y. CHECKED BY: E.F.S.
 DRAWN BY: E.M.M. APPROVED BY: R.H.W.

HOR. SCALE: AS NOTED RELEASED FOR CONSTRUCTION DATE: 11.02.18
 VERTICAL: AS NOTED ORIGINAL SIGNED: 11.02.18

NO. REVISIONS DATE BY



ORIGINAL SIGNED 11.02.18

THE CITY OF WINNIPEG
 PUBLIC WORKS DEPARTMENT
 ENGINEERING DIVISION

OSBORNE STREET BRIDGE
 REHABILITATION & RELATED WORKS

CONCRETE BARRIER LAYOUT

CITY DRAWING NUMBER: B109-11-086
 SHEET OF: 81 OF 131

CONSULTANT DRAWING NO.: 0900070502-DWG-S0081

81