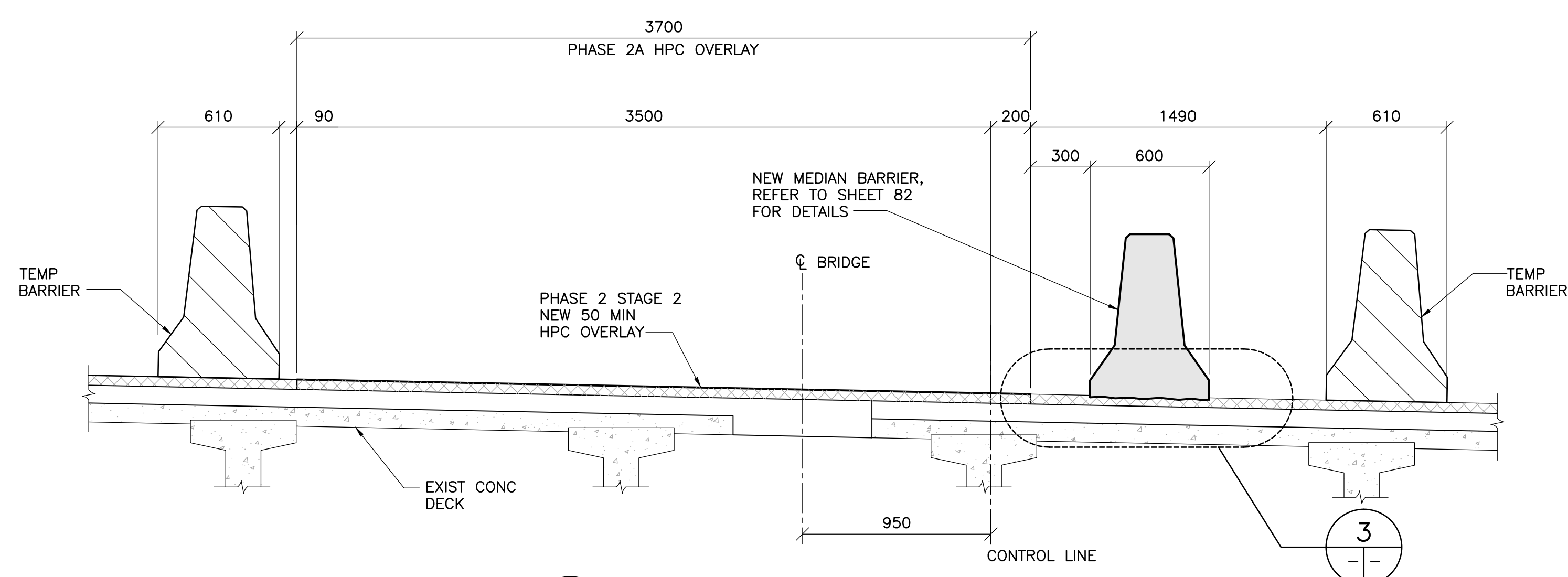
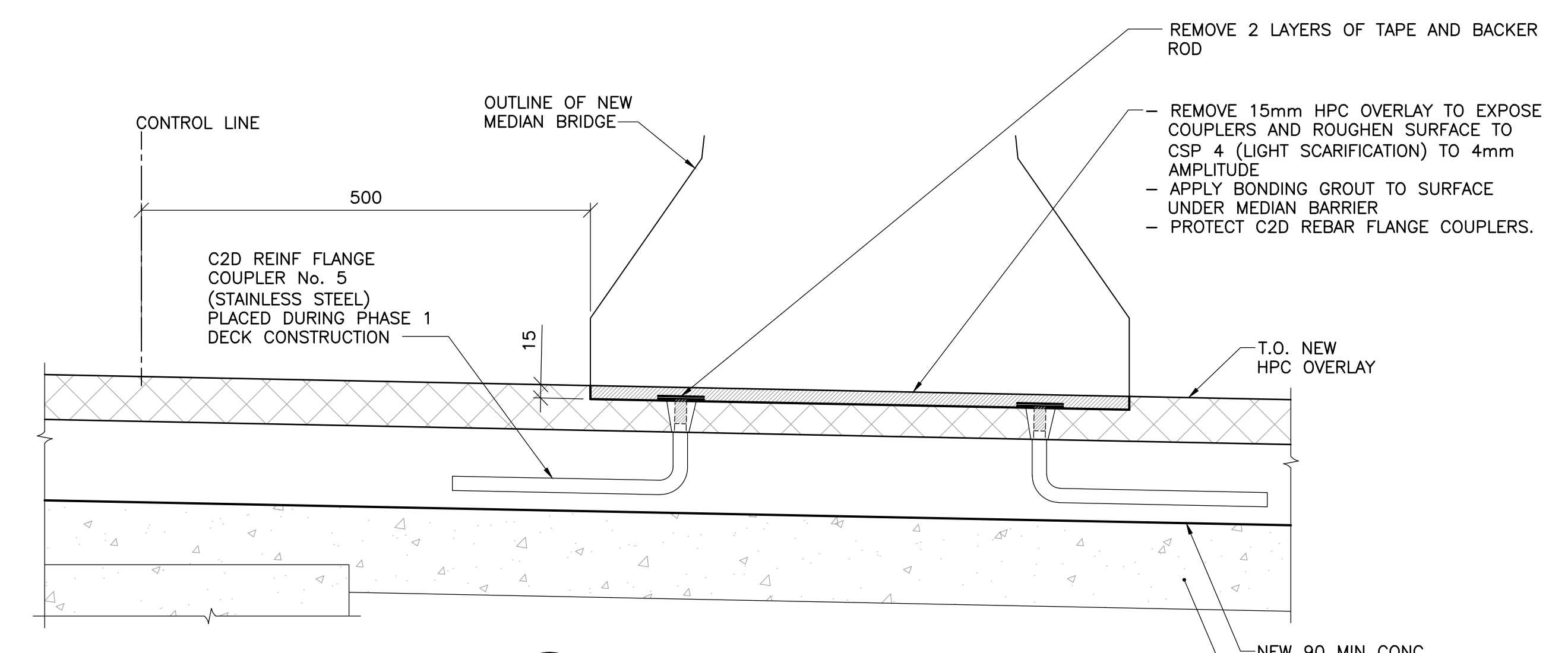


1
74 77
TYPICAL SECTION - PHASE 2A DECK CONSTRUCTION
1 : 50



1
- -
PHASE 2A - CONSTRUCTION
1 : 20



3
- -
DETAIL
1 : 5



B.M. ELEV.	F.B.	DATE	BY
00	ISSUED FOR TENDER	11.02.18	EFS
	NO. REVISIONS	DATE	BY
		10.10.13	

WARDROP ATETRA TECH COMPANY	
DESIGNED BY: V.B.	CHECKED BY: E.F.S.
DRAWN BY: B.M.	APPROVED BY: R.H.W.
HOR. SCALE: AS NOTED	RELEASED FOR CONSTRUCTION DATE: 11.02.18
VERTICAL: AS NOTED	ORIGINAL SIGNED DATE: 11.02.18
MATT OSBLETT, P. ENG. BRIDGE PROJECTS ENGINEER	

ORIGINAL SIGNED 11.02.18

CONSULTANT DRAWING NO. 0900070502-DWG-S0077

THE CITY OF WINNIPEG
PUBLIC WORKS DEPARTMENT
ENGINEERING DIVISION

OSBORNE STREET BRIDGE
REHABILITATION & RELATED WORKS

BRIDGE DECK
PHASE 2 CONSTRUCTION

CITY DRAWING NUMBER B109-11-082	SHEET 77	OF 131
77		