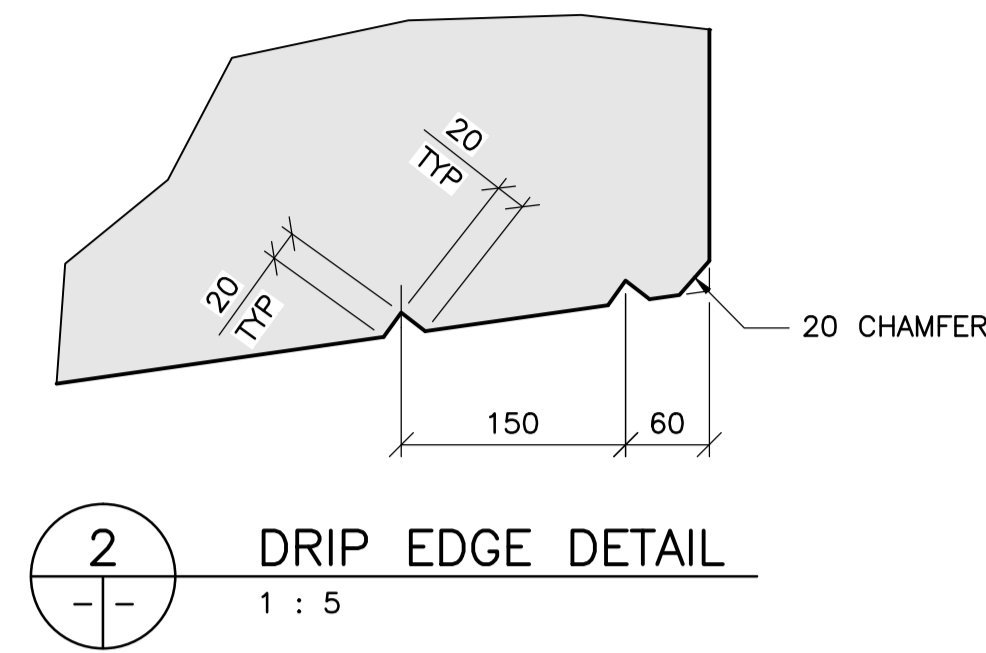
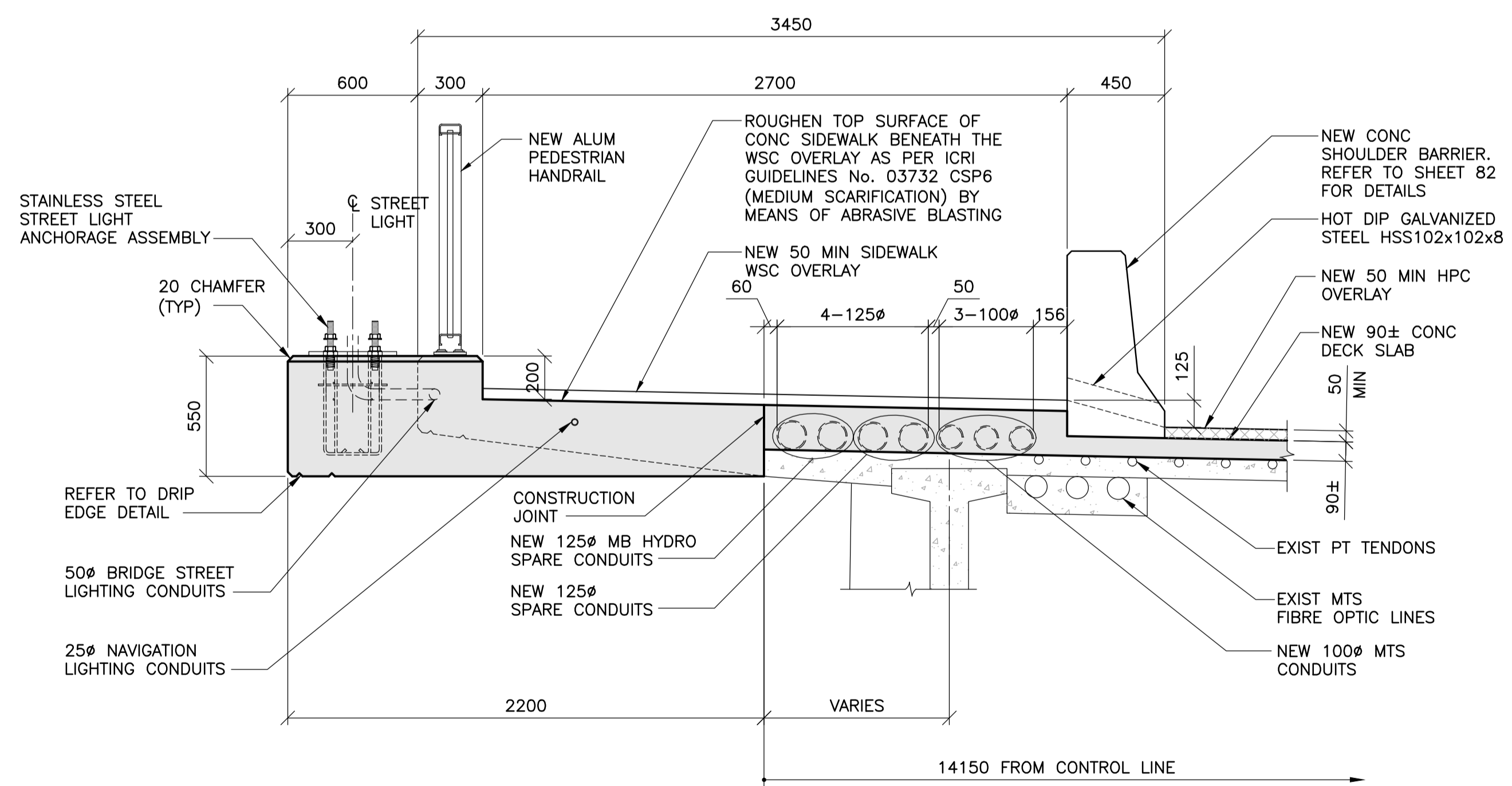


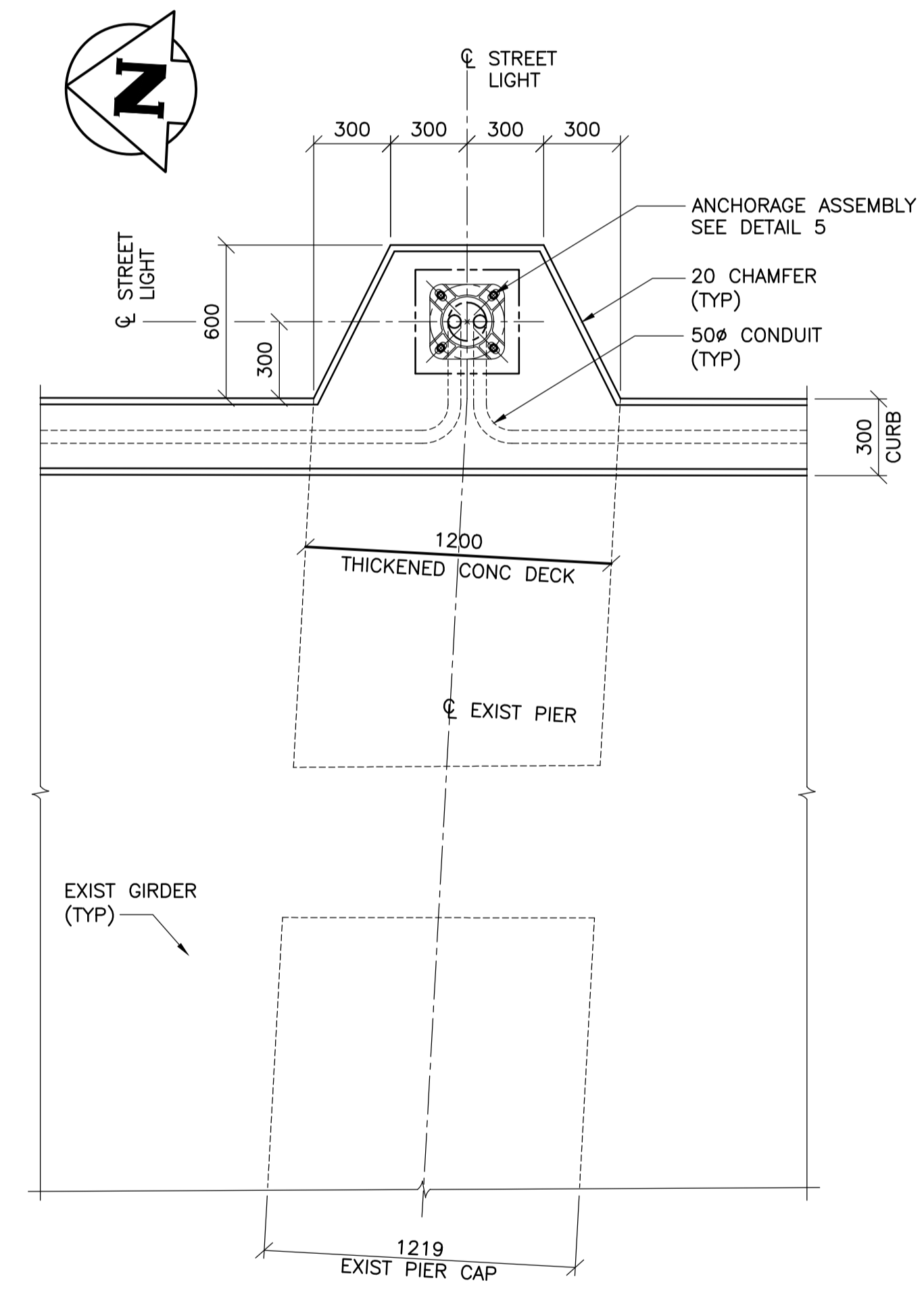
**1**  
75 76  
DETAIL  
1 : 20



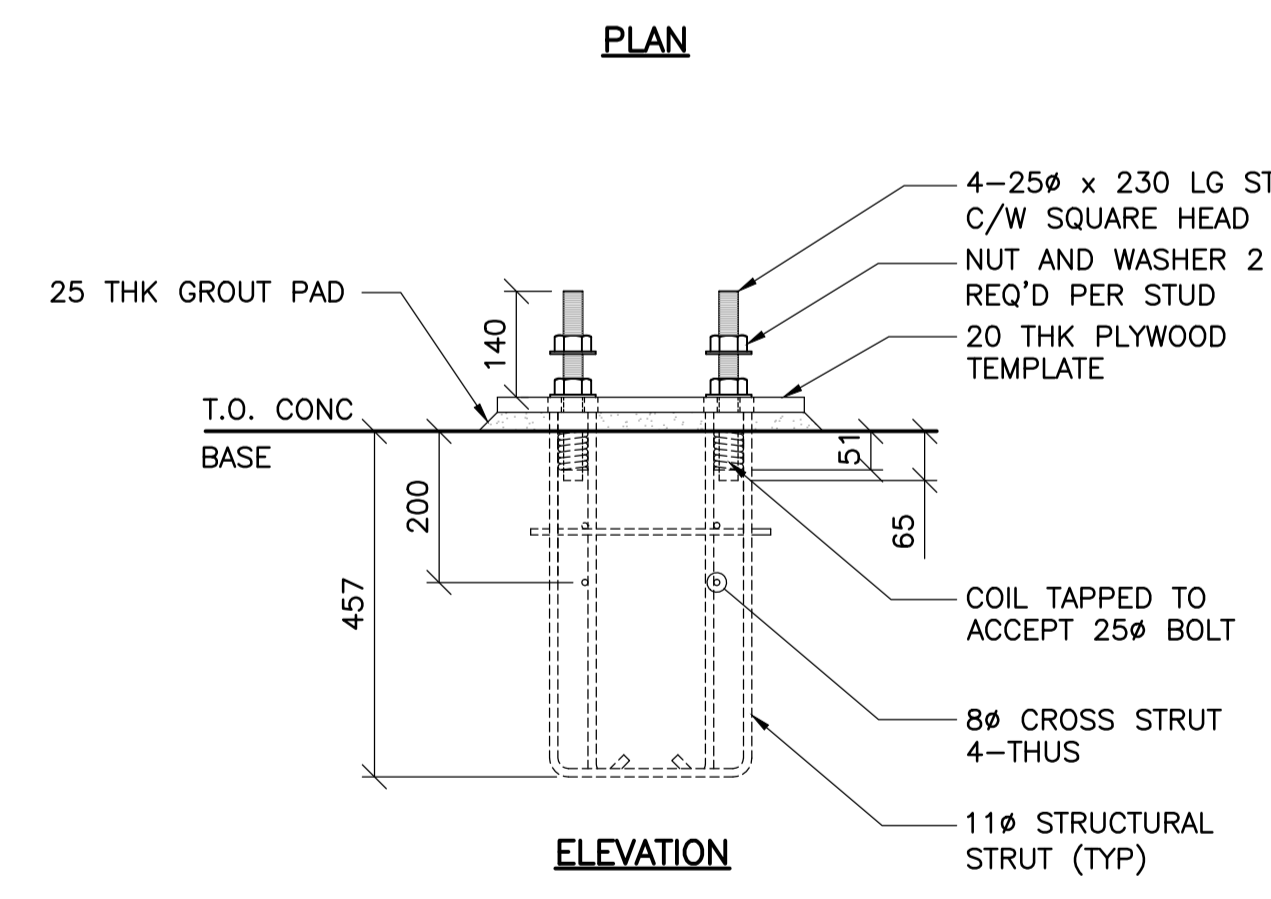
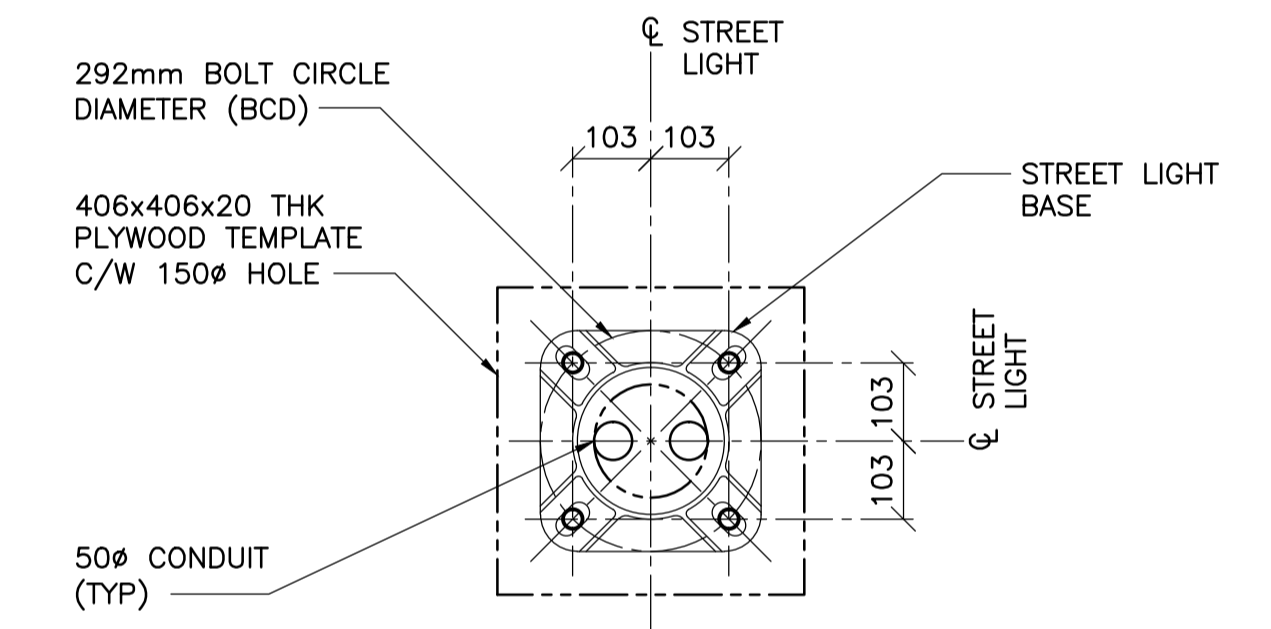
**2**  
1 : 5  
DRIP EDGE DETAIL



**3**  
75 76  
DETAIL  
1 : 20



**4**  
74 76  
STREET LIGHT CONC BASE - PLAN  
1 : 20

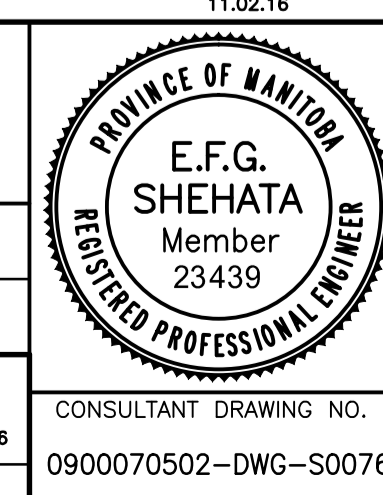


**5**  
74 76  
PRESET ANCHORAGE ASSEMBLY  
DGR-2FS (292mm BCD)  
1 : 10  
NOTE: ANCHORAGE ASSEMBLY IS STAINLESS STEEL



| B.M. ELEV. | F.B. | DATE | BY |
|------------|------|------|----|
|            |      |      |    |
|            |      |      |    |
|            |      |      |    |

|                                       |  |
|---------------------------------------|--|
| <b>WARDROP</b><br>ATETRA TECH COMPANY |  |
| DESIGNED BY: V.B.                     | CHECKED BY: E.F.S.                       |
| DRAWN BY: B.M.                        | APPROVED BY: R.H.W.                      |
| HOR. SCALE: AS NOTED                  | RELEASED FOR CONSTRUCTION DATE: 11.02.18 |
| VERTICAL: AS NOTED                    | ORIGINAL SIGNED: 11.02.18                |
| 00 ISSUED FOR TENDER                  | 11.02.18 EFS                             |
| NO. REVISIONS                         | DATE BY                                  |
|                                       | 10.10.13                                 |



|  |                       |
|--|-----------------------|
| <b>THE CITY OF WINNIPEG</b><br>PUBLIC WORKS DEPARTMENT<br>ENGINEERING DIVISION |                       |
| <b>OSBORNE STREET BRIDGE</b><br>REHABILITATION & RELATED WORKS                 |                       |
| <b>BRIDGE DECK</b><br>PHASE 2 CONSTRUCTION                                     |                       |
| CITY DRAWING NUMBER<br>B109-11-081   | SHEET OF<br>76 OF 131 |
| 76   |                       |