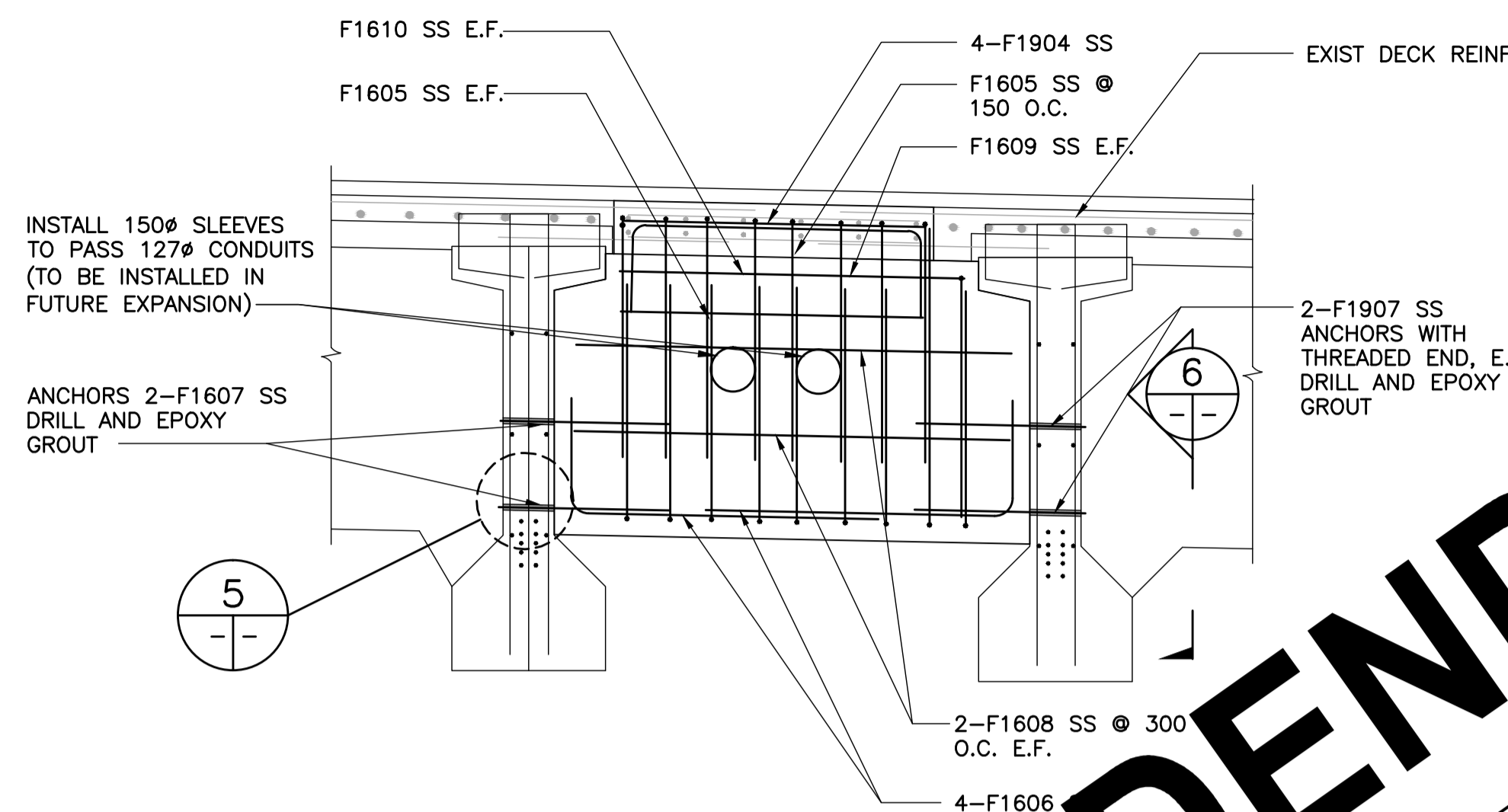
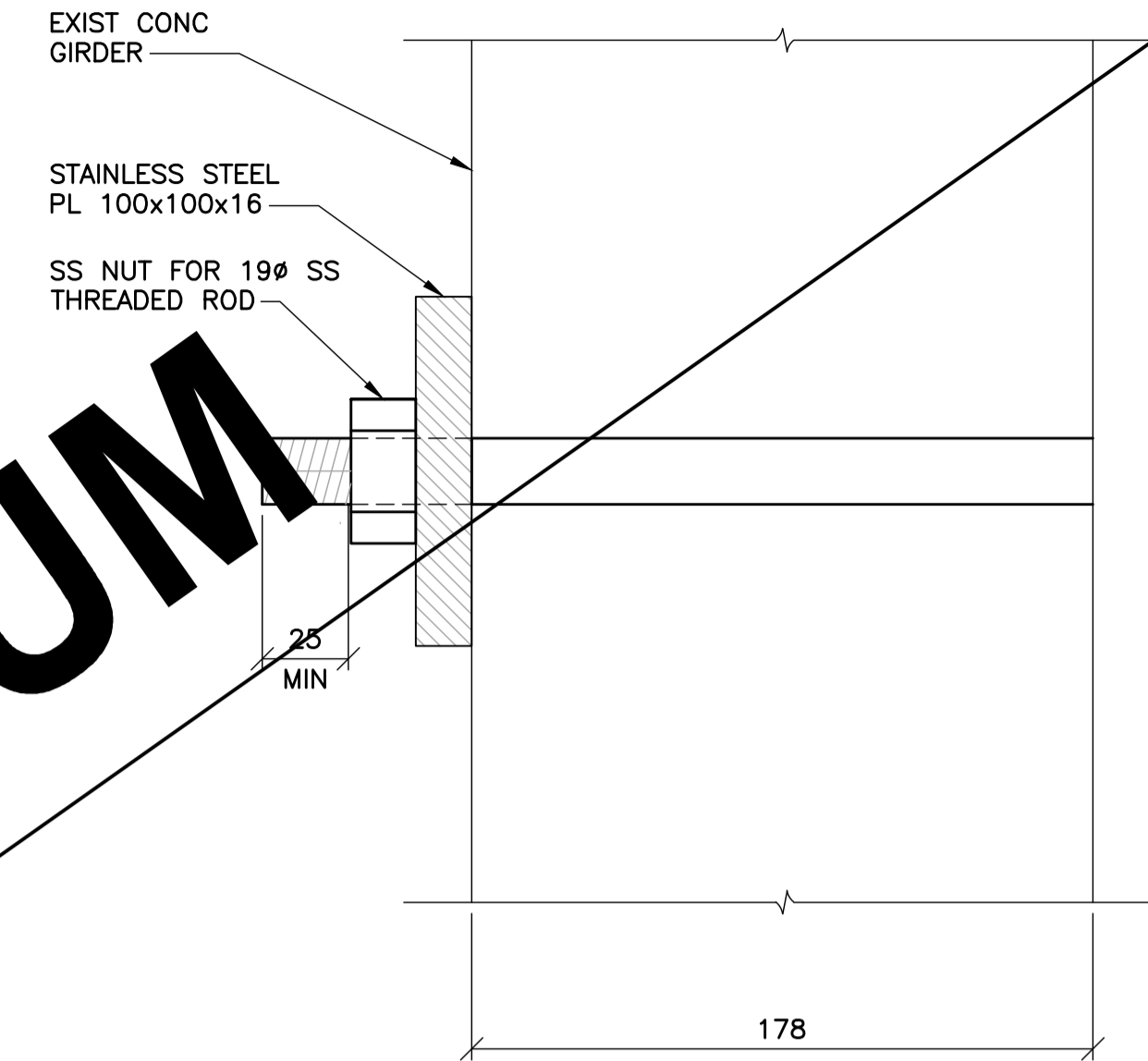


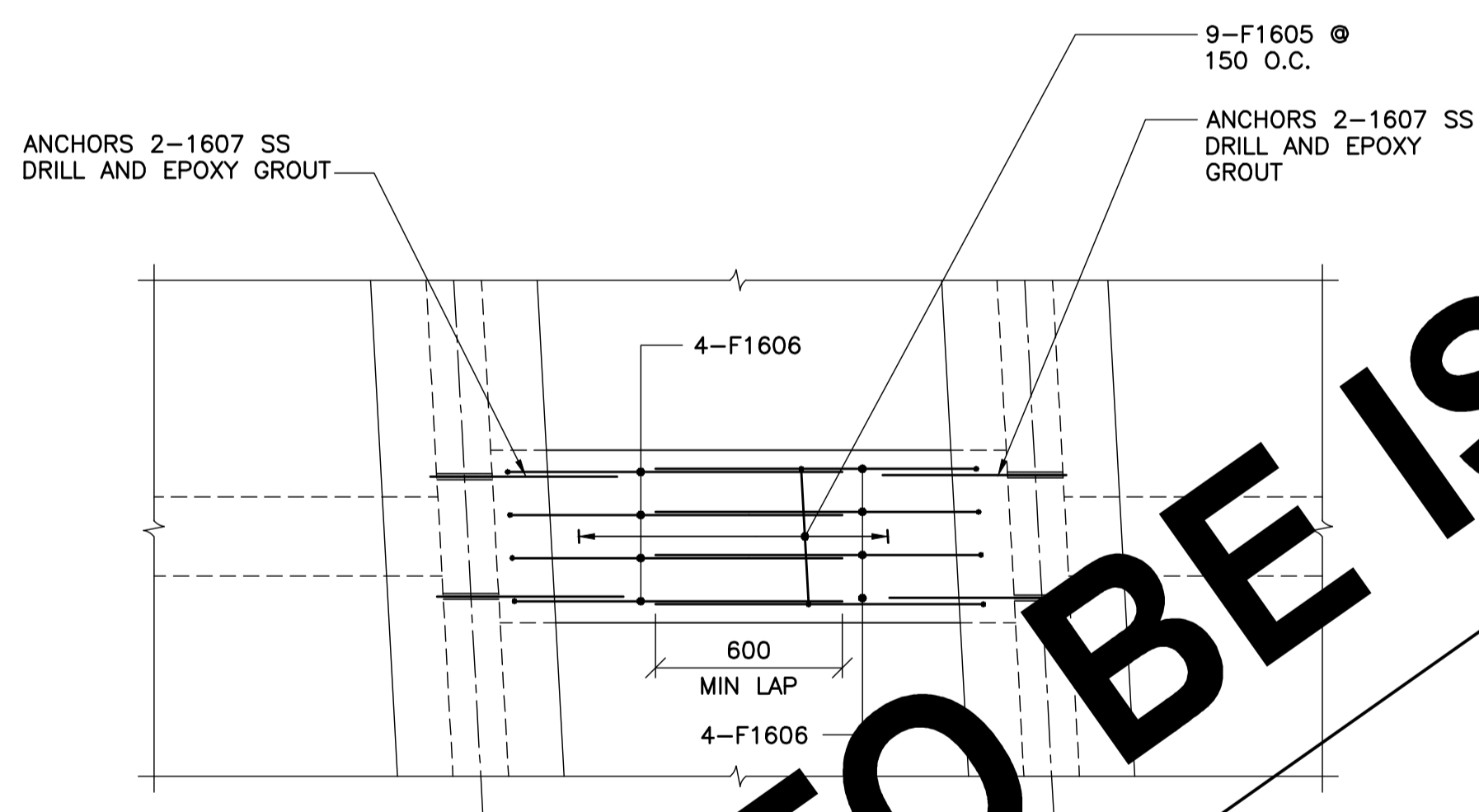
1 TOP REINFORCING
1 : 20



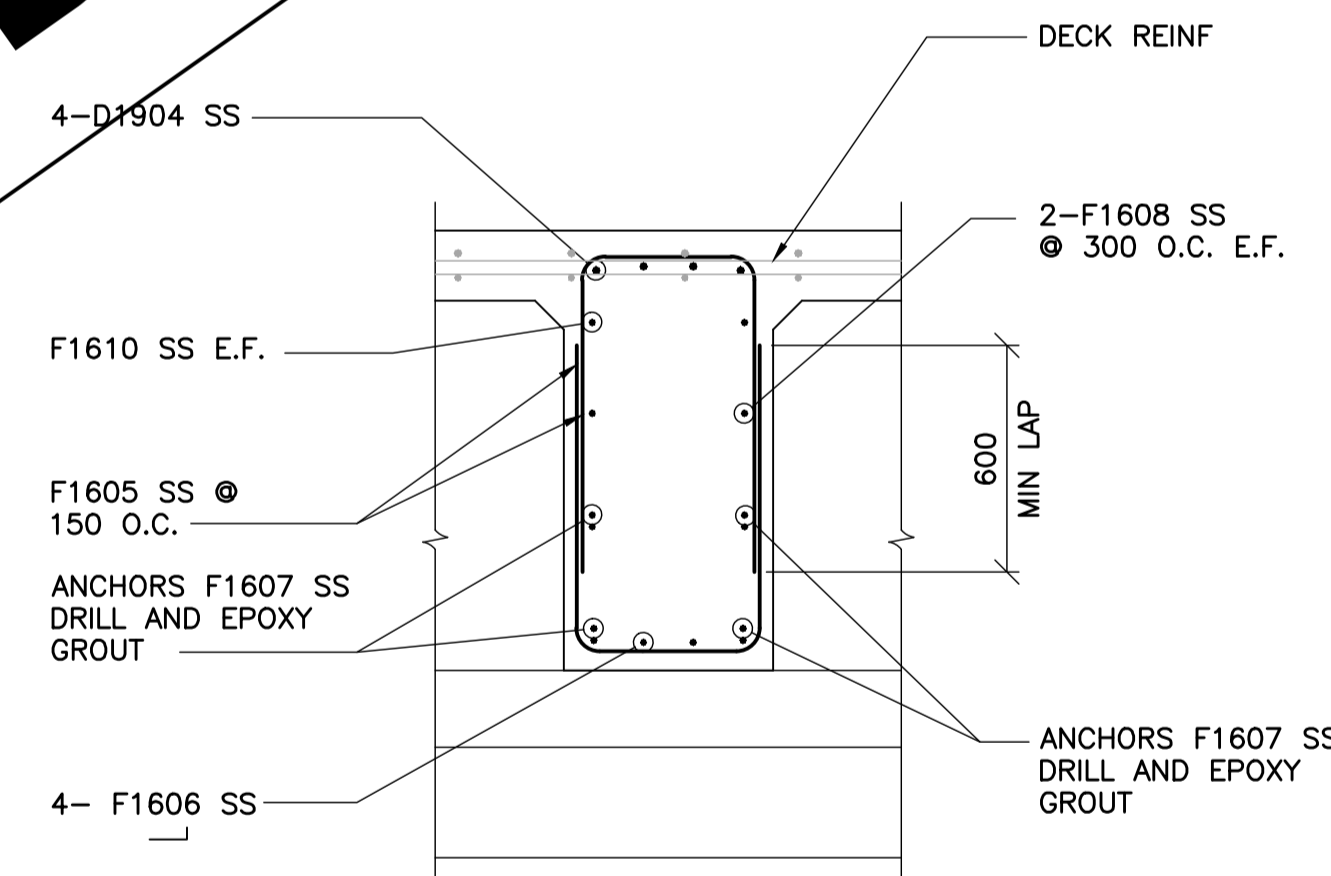
3 TYPICAL ELEVATION - INTERMEDIATE DIAPHRAGM CONC INFILL
1 : 20



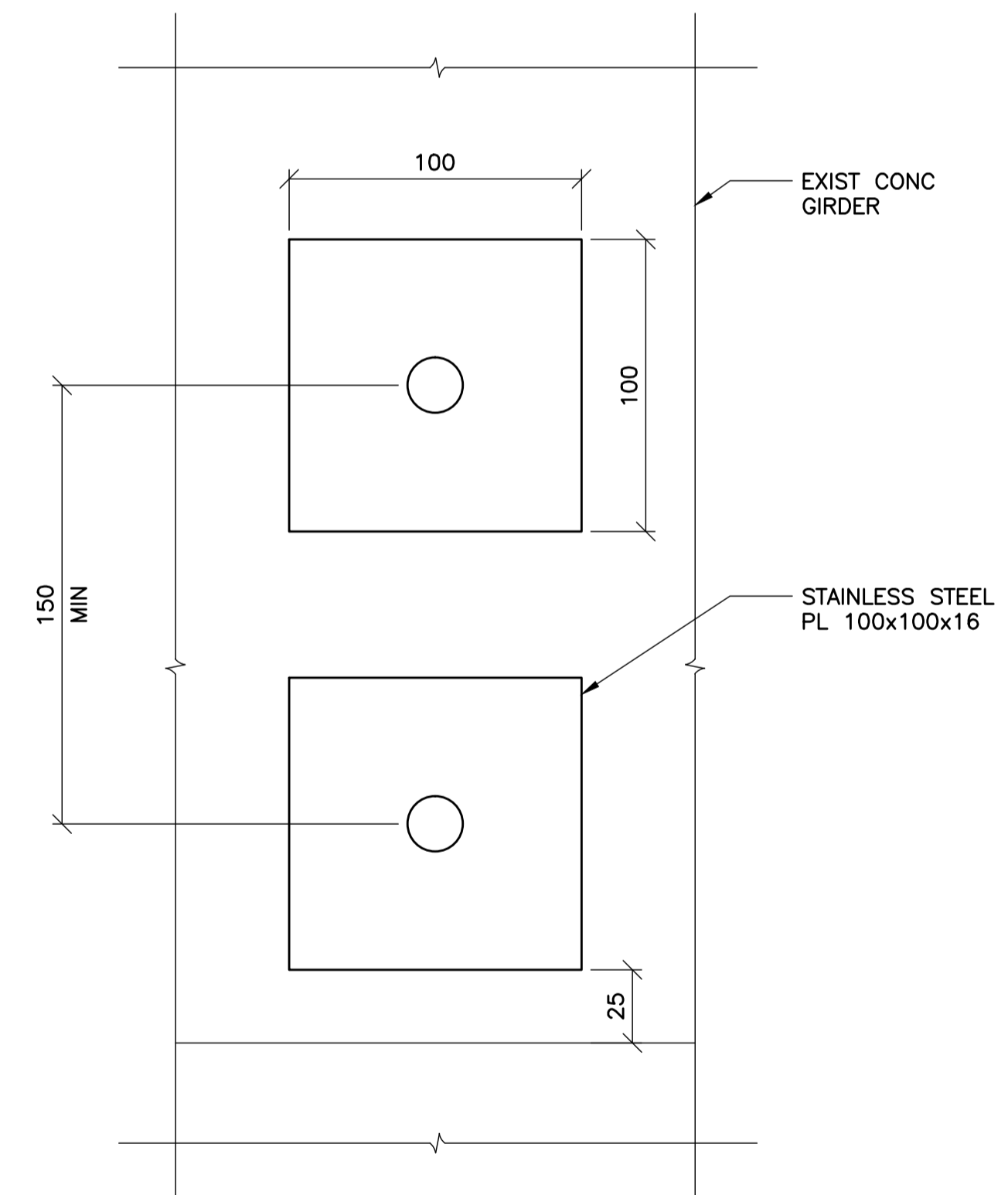
5 DETAIL
1 : 2



2 BOTTOM REINFORCING
1 : 20



4 TYPICAL SECTION - INTERMEDIATE DIAPHRAGM CONC INFILL
1 : 20



6 SECTION
1 : 2

TO BE ISSUED FOR ADDENDUM

NOTE: USE GROUND PENETRATING RADAR TO DETERMINE THE LOCATION OF DRILLING HOLES FOR ANCHORS INTO PRECAST CONCRETE GIRDER TO AVOID EXIST STRANDS AND REINF.



B.M. ELEV.	F.B.	NO.	REVISIONS	DATE	BY

WARDROP <small>AT TETRA TECH COMPANY</small>	
DESIGNED BY: V.B.	CHECKED BY: E.F.S.
DRAWN BY: B.M.	APPROVED BY: R.H.W.
HOR. SCALE: AS NOTED	ACCEPTED BY: DATE
VERTICAL: AS NOTED	DATE: 10.10.13
<small>MATT CHISLETT, P. ENG BRIDGE PROJECTS ENGINEER</small>	

CONSULTANT DRAWING NO. 0900070502-DWG-S0073
--

THE CITY OF WINNIPEG PUBLIC WORKS DEPARTMENT ENGINEERING DIVISION	
OSBORNE STREET BRIDGE REHABILITATION & RELATED WORKS	CITY DRAWING NUMBER B109-11-078
PIER CAP & INTERMEDIATE DIAPHRAGM REINFORCING	SHEET 73 OF 131
73	