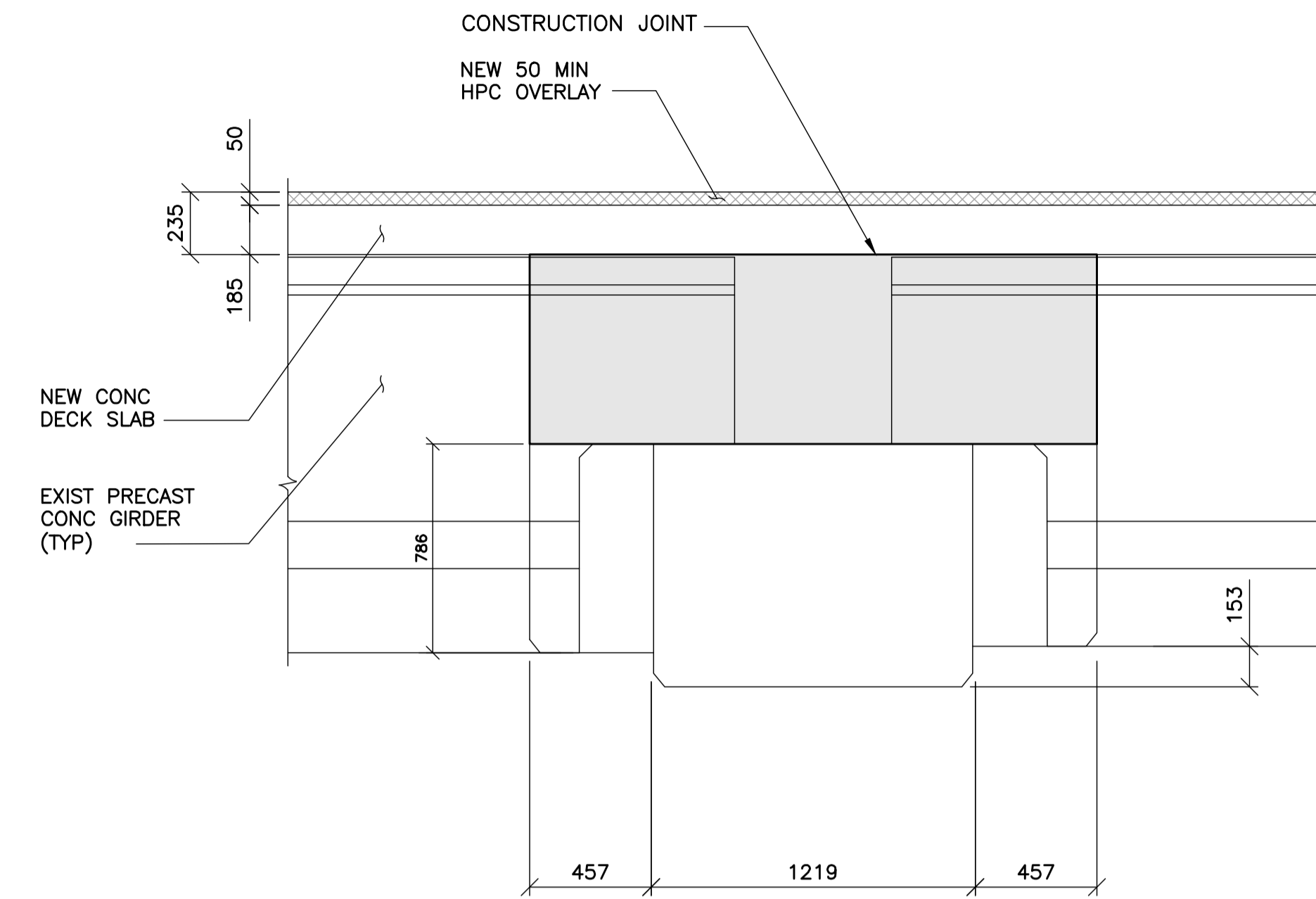
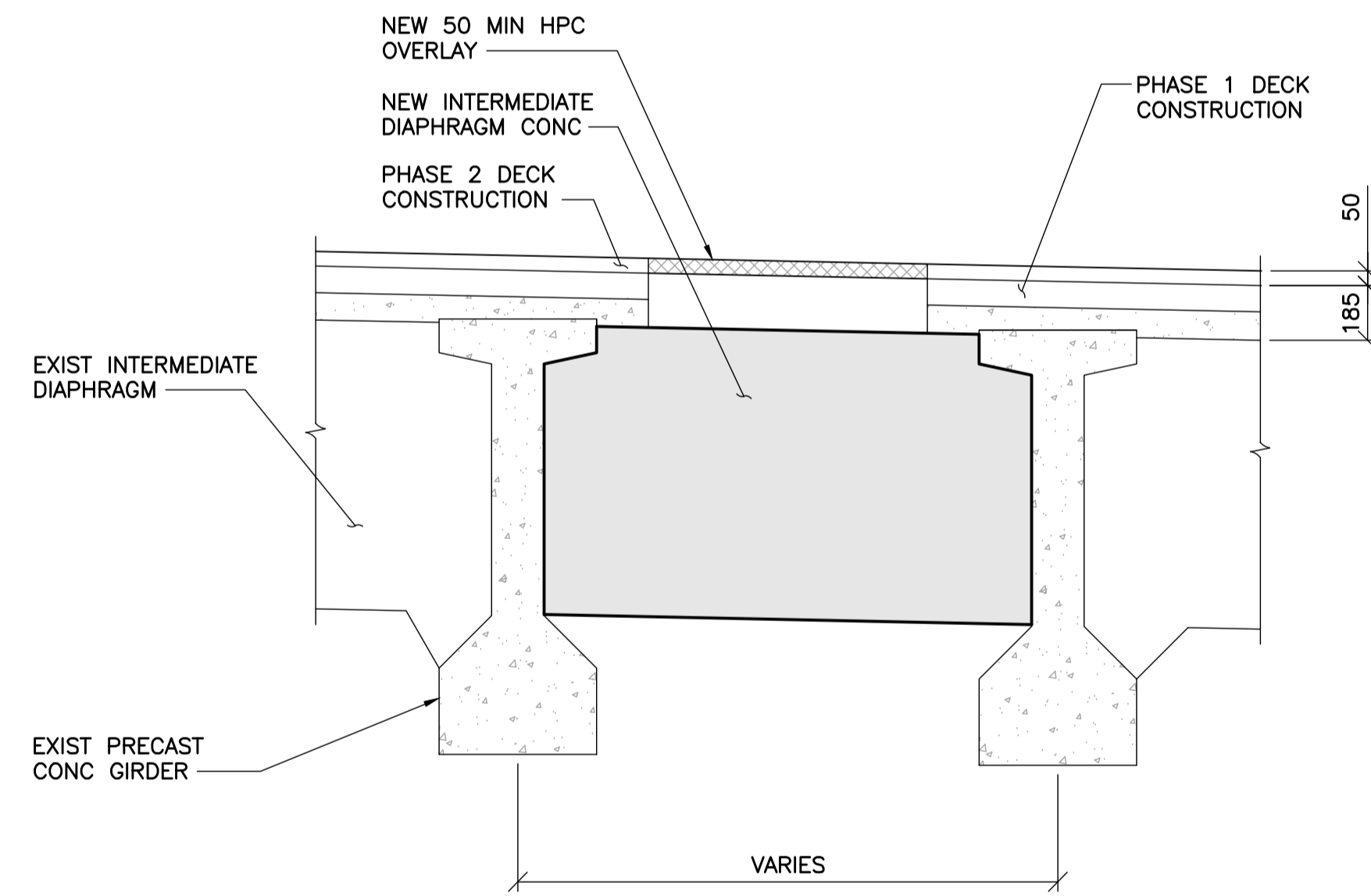


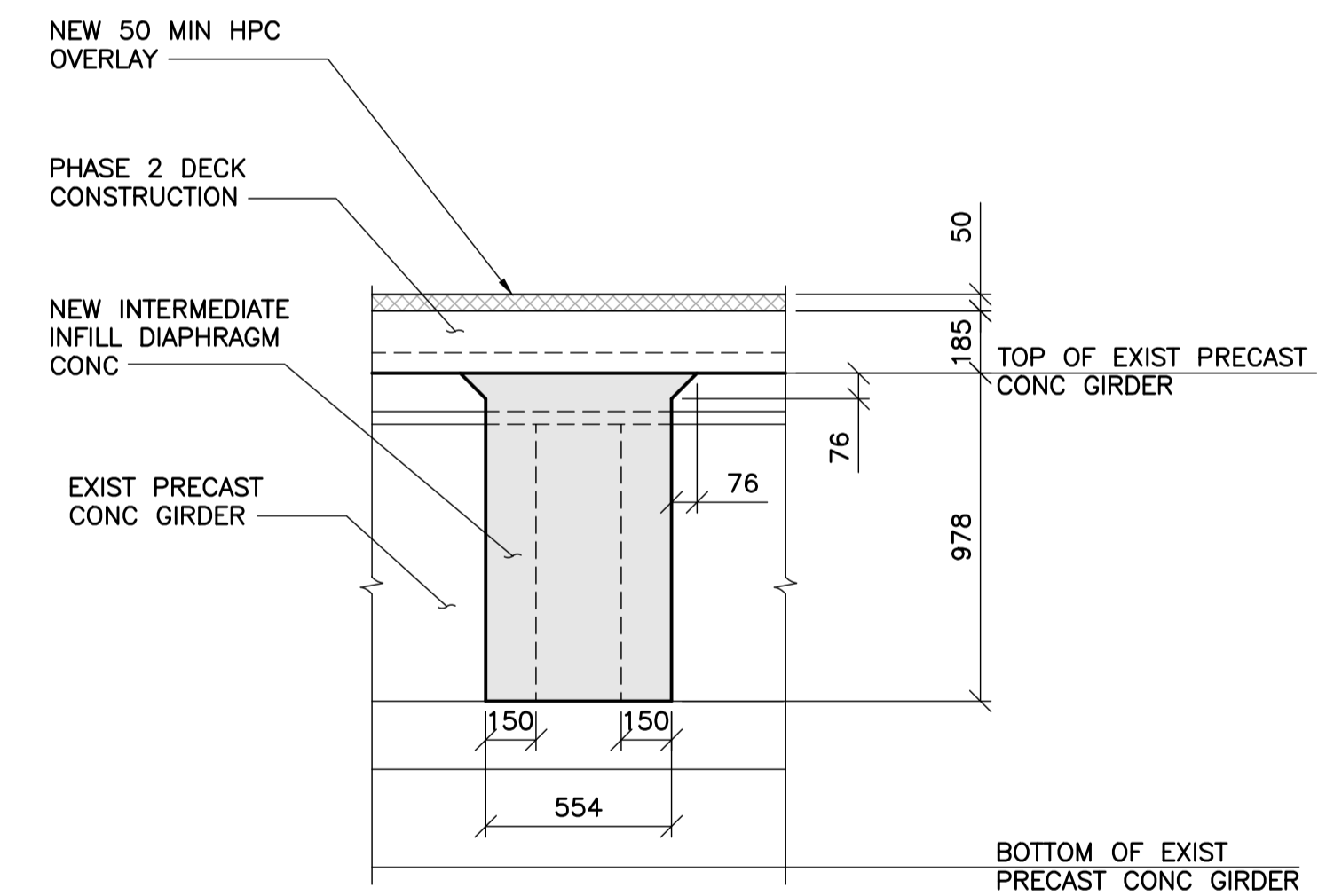
**1** SECTION  
74 | 75 1 : 20



**2** SECTION  
74 | 75 1 : 20



**3** SECTION  
74 | 75 1 : 20

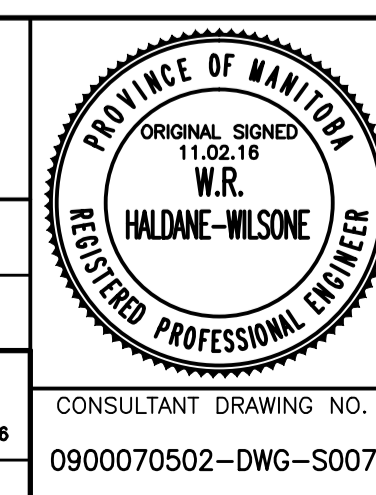


**4** SECTION  
74 | 75 1 : 20



B.M. ELEV.	F.B.		
00	ISSUED FOR TENDER	11.02.18	RHW
NO.	REVISIONS	DATE	BY

<b>WARDROP</b> <small>A TETRA TECH COMPANY</small>	
DESIGNED BY: V.B.	CHECKED BY: R.H.W.
DRAWN BY: C.T.	APPROVED BY: R.H.W.
HOR. SCALE: AS NOTED	ACCEPTED BY: DATE
VERTICAL: AS NOTED	ORIGINAL SIGNED: 11.02.16
DATE: 10.10.13	MATT CHISLETT, P. ENG. BRIDGE PROJECTS ENGINEER



<b>THE CITY OF WINNIPEG</b> PUBLIC WORKS DEPARTMENT ENGINEERING DIVISION		CITY DRAWING NUMBER <b>B109-11-076</b>
OSBORNE STREET BRIDGE REHABILITATION & RELATED WORKS		SHEET <b>71</b> OF <b>131</b>
PIER CAP & INTERMEDIATE DIAPHRAGMS CONCRETE INFILL DETAILS		<b>71</b>