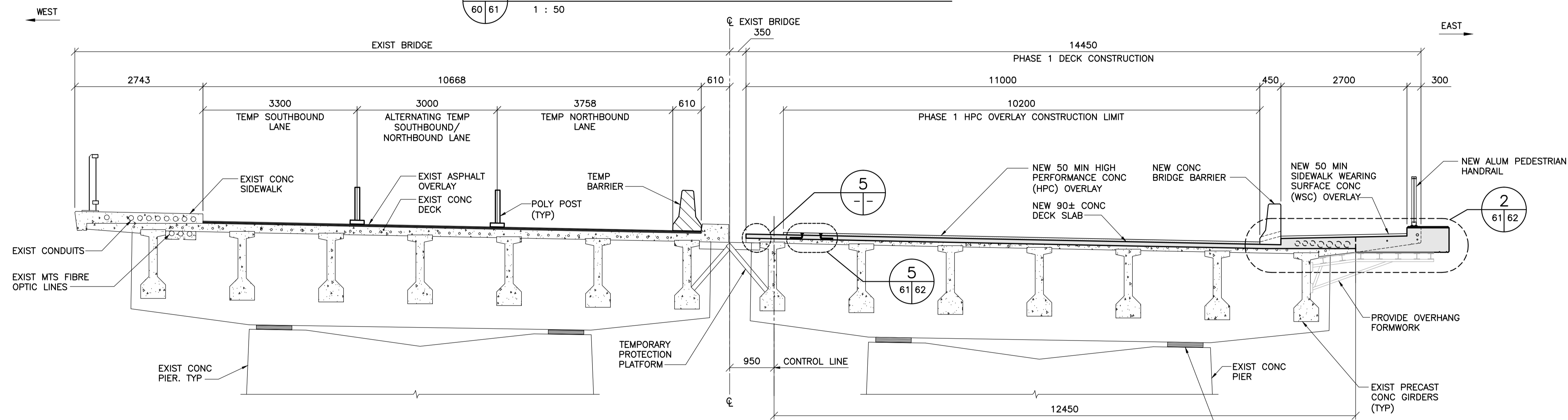
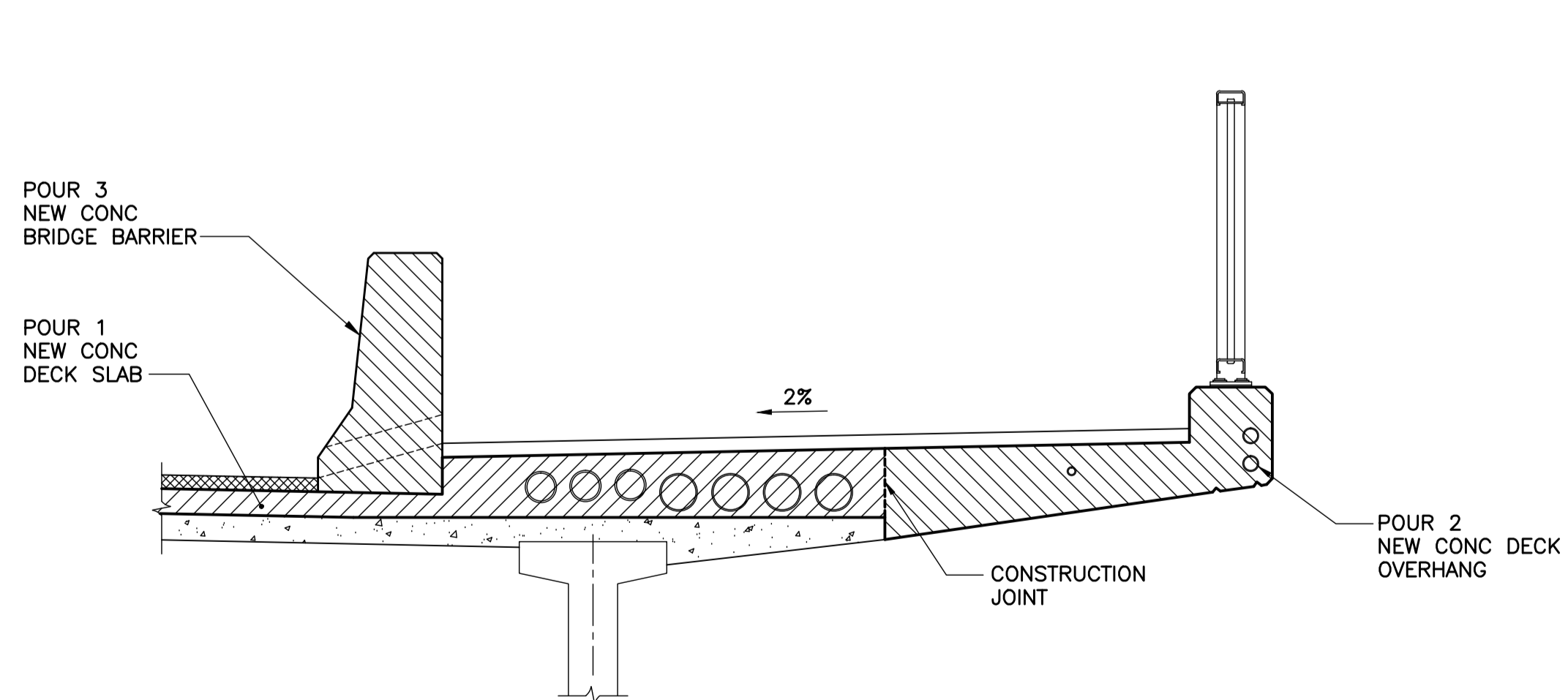


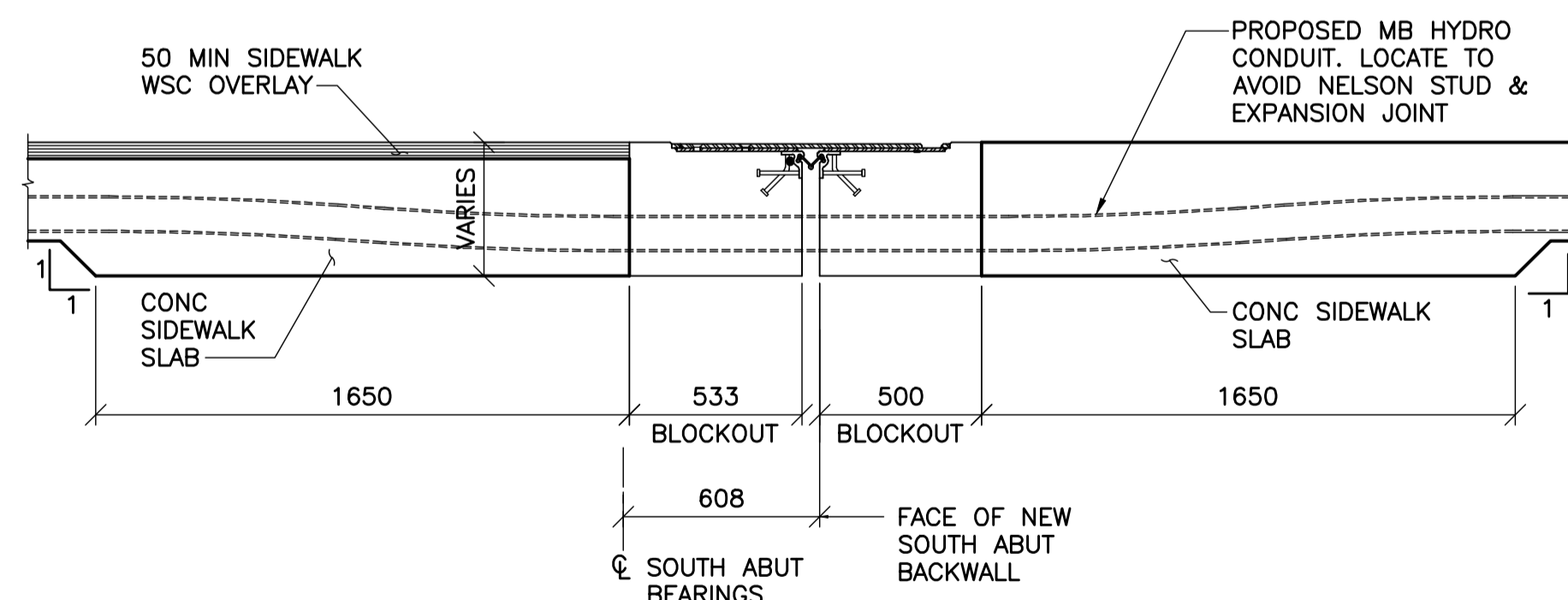
1 TYPICAL SECTION - PHASE 1 DECK CONSTRUCTION
1 : 50



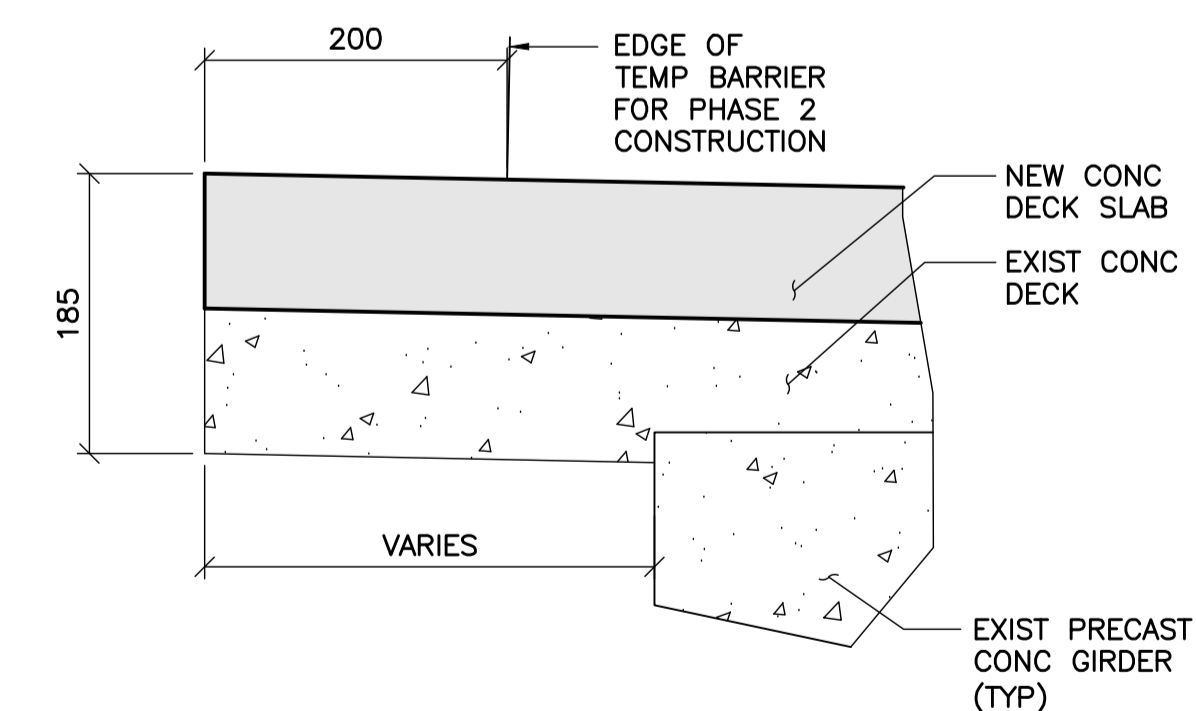
2 SECTION - AT PIER LOCATIONS
1 : 50



3 DETAIL
1 : 20
- THE CONTRACTOR MAY VARY FROM THE SEQUENCE SHOWN ABOVE ONLY IF APPROVED BY CONTRACT ADMINISTRATOR

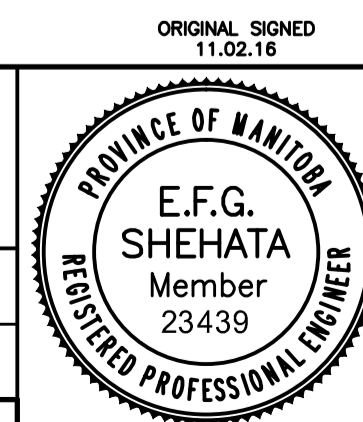


4 SECTION
1 : 20



5 DETAIL
1 : 5

B.M. ELEV.	F.B.	WARDROP A TETRA TECH COMPANY	DESIGNED BY V.B.	CHECKED BY E.F.S.
			DRAWN BY B.M.	APPROVED BY R.H.W.
		HOR. SCALE: AS NOTED	RELEASED FOR CONSTRUCTION DATE 11.02.16	DATE 11.02.16
00	ISSUED FOR TENDER 11.02.18	VERTICAL: AS NOTED	ORIGINAL SIGNED	11.02.16
NO.	REVISIONS	DATE	10.10.13	DATE



THE CITY OF WINNIPEG
PUBLIC WORKS DEPARTMENT
ENGINEERING DIVISION

OSBORNE STREET BRIDGE
REHABILITATION & RELATED WORKS

BRIDGE DECK
PHASE 1 CONSTRUCTION

CITY DRAWING NUMBER: B109-11-066
SHEET 61 OF 131

CONSULTANT DRAWING NO. 0900070502-DWG-S0061

MATT CHISLETT, P.ENG
BRIDGE PROJECTS ENGINEER

ORIGINAL SIGNED 11.02.16