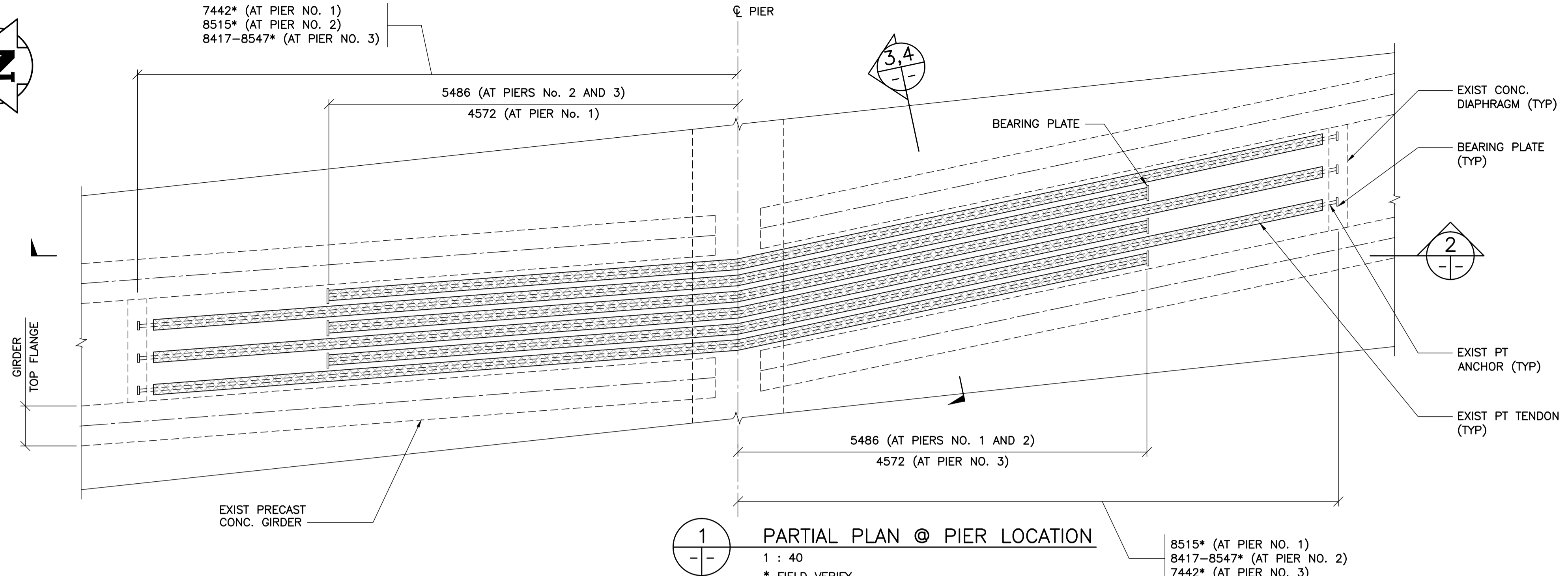
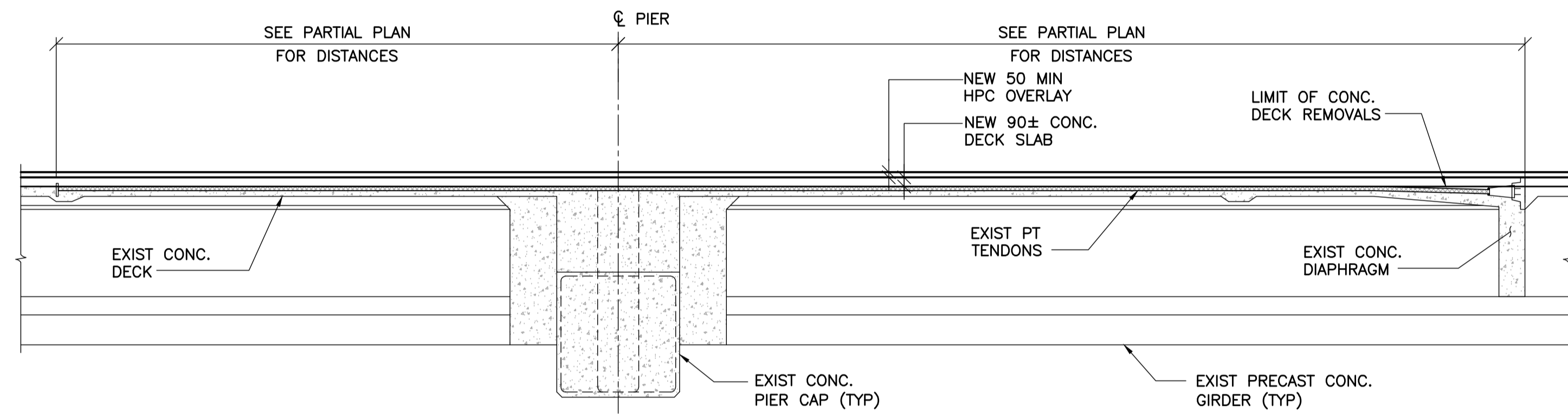


7442* (AT PIER NO. 1)
8515* (AT PIER NO. 2)
8417-8547* (AT PIER NO. 3)

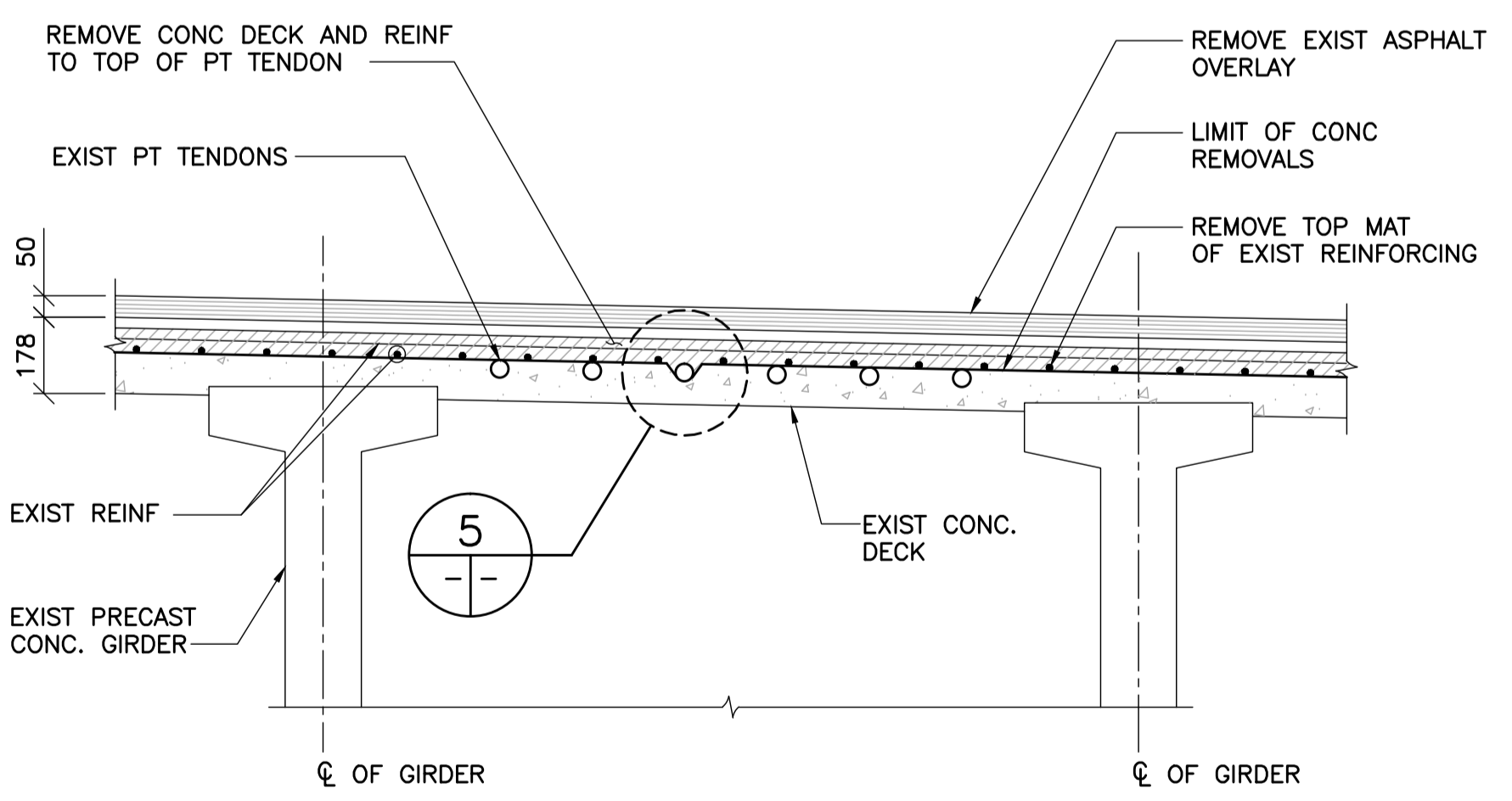


1
PARTIAL PLAN @ PIER LOCATION
1 : 40
* FIELD VERIFY

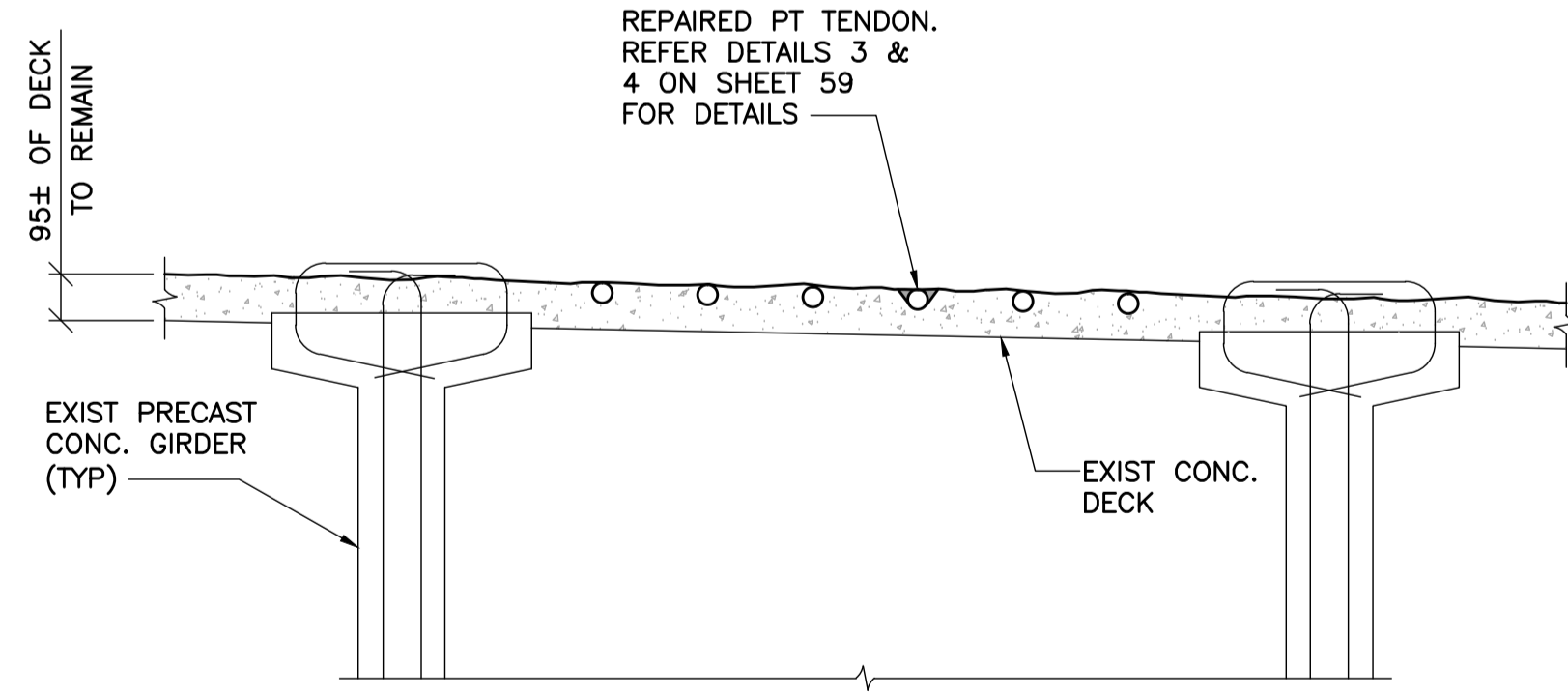
8515* (AT PIER NO. 1)
8417-8547* (AT PIER NO. 2)
7442* (AT PIER NO. 3)



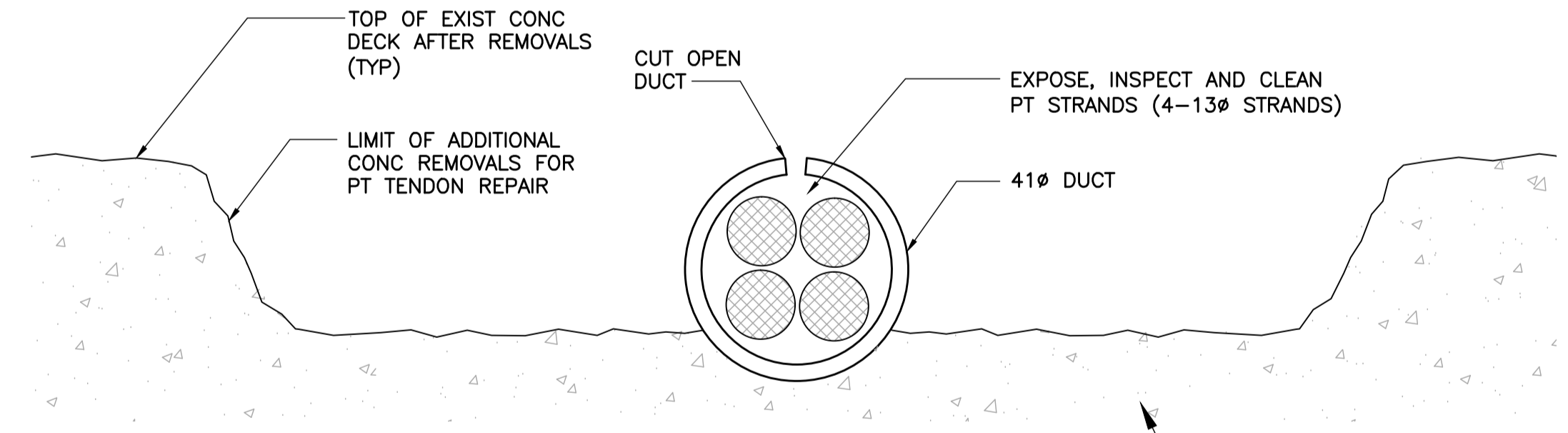
2
SECTION - EXIST POST TENSIONING TENDON
1 : 40



3
EXIST DECK SECTION
1 : 15



4
EXIST DECK SECTION AFTER DEMOLITION
1 : 15



5
TYPICAL REPAIR DETAIL FOR PT DUCT
1 : 1
STAGE III TYPE 3 DECK CONCRETE REMOVALS

5
TYPICAL REPAIR DETAIL FOR PT DUCT
1 : 1
STAGE III TYPE 3 DECK CONCRETE REMOVALS

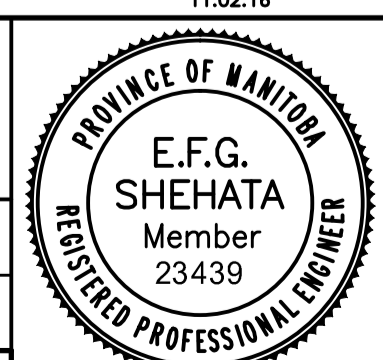
NOTE:
- CUT AND REMOVE DETERIORATED PT STRAND PORTION.
- RECONNECT AND TENSION STRAND WITH NEW MECHANICAL SPLICING UNIT

ORIGINAL SIGNED
11.02.16



B.M. ELEV.	F.B.	DESIGNED BY	CHECKED BY
		V.B.	E.F.S.
		E.M.M.	R.H.W.
00	ISSUED FOR TENDER	11.02.18	EFS
NO.	REVISIONS	DATE	BY

WARDROP A TETRA TECH COMPANY	
DESIGNED BY V.B.	CHECKED BY E.F.S.
DRAWN BY E.M.M.	APPROVED BY R.H.W.
HOR. SCALE: VERTICAL: AS NOTED	RELEASED FOR CONSTRUCTION ORIGINAL SIGNED DATE 11.02.16
DATE 10.10.20	DATE 11.02.16
MATT CHISLETT, P. ENG. BRIDGE PROJECTS ENGINEER	



THE CITY OF WINNIPEG PUBLIC WORKS DEPARTMENT ENGINEERING DIVISION	
OSBORNE STREET BRIDGE REHABILITATION & RELATED WORKS	
POST TENSIONING TENDONS INSPECTION AND REPAIRS	
CITY DRAWING NUMBER B109-11-063	SHEET 58 OF 131
CONSULTANT DRAWING NO. 0900070502-DWG-S0058	
CITY DRAWING NUMBER B109-11-063	
SHEET 58 OF 131	
POST TENSIONING TENDONS INSPECTION AND REPAIRS	
58	