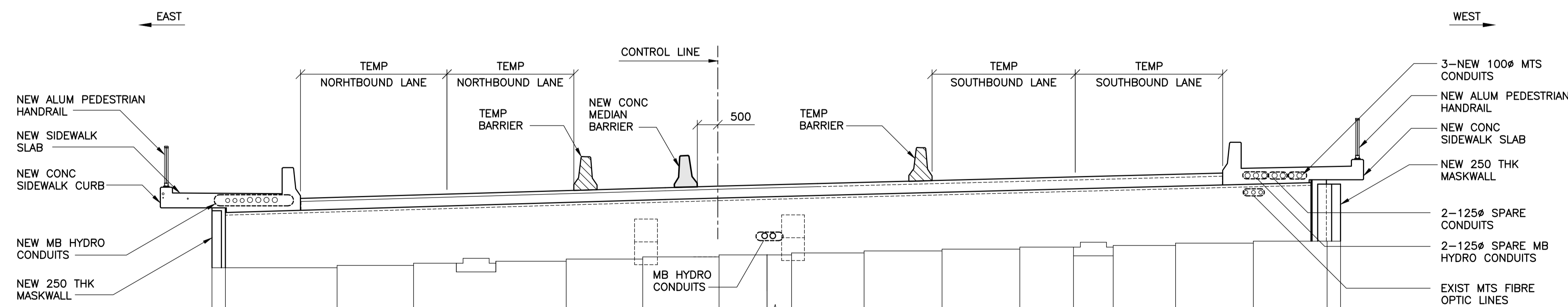
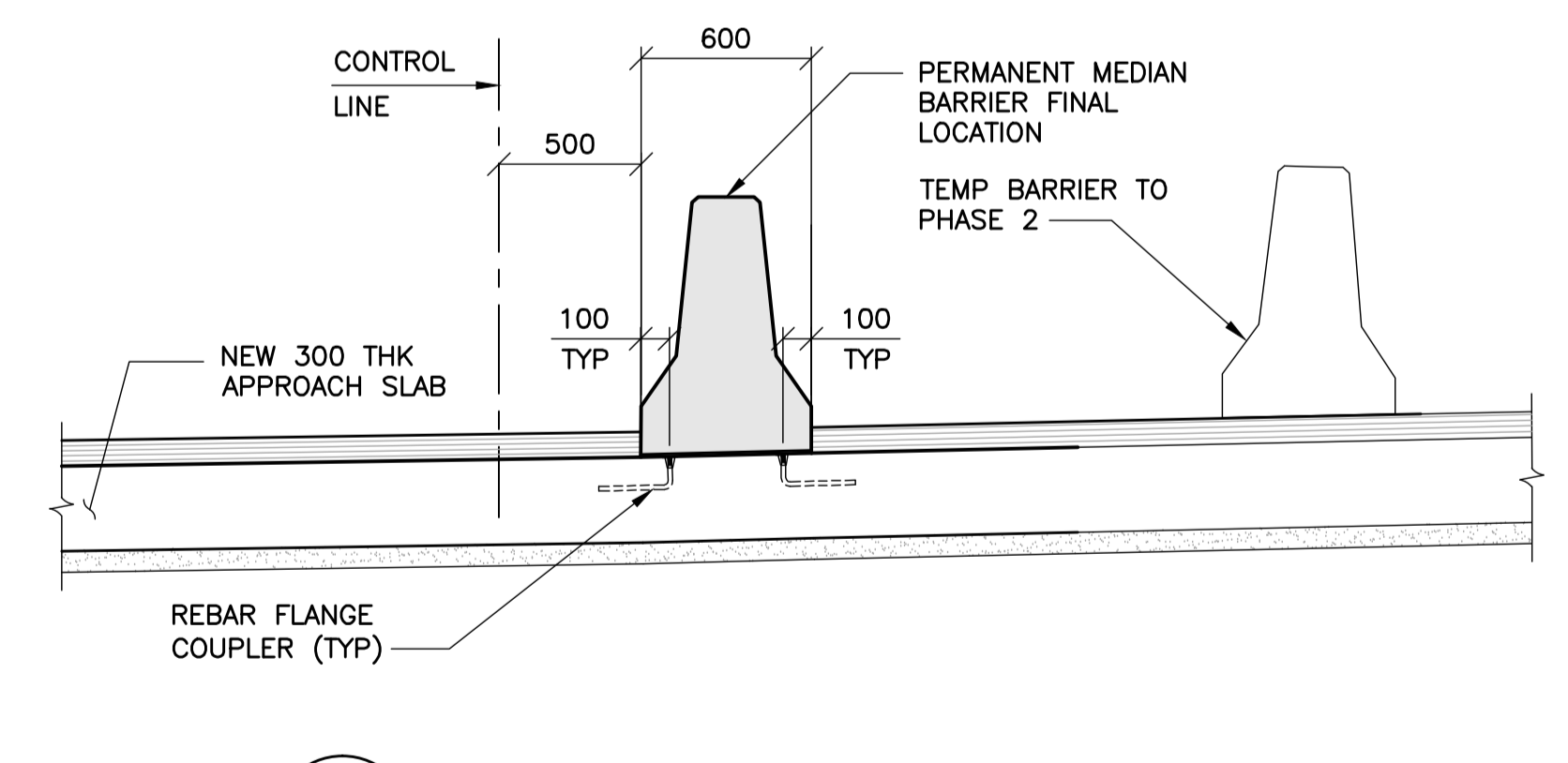


1 PLAN - SOUTH ABUTMENT PHASE 2A CONSTRUCTION  
1 : 75



2 ELEVATION - SOUTH ABUTMENT PHASE 2A CONSTRUCTION  
1 : 75

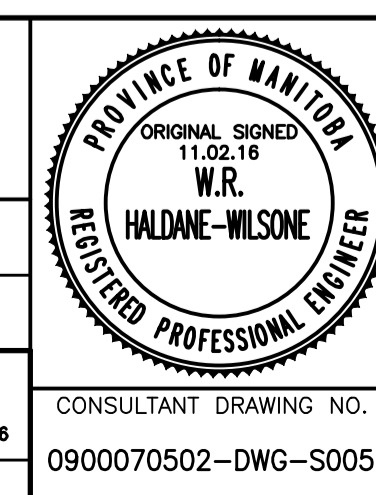


3 SECTION @ APPROACH & ROADWAY SLAB  
1 : 25



B.M. ELEV.	F.B.	DATE	BY

<b>WARDROP</b> A TETRA TECH COMPANY	
DESIGNED BY S.Y.	CHECKED BY R.H.W.
DRAWN BY B.M.	APPROVED BY R.H.W.
HOR. SCALE: AS NOTED	RELEASED FOR CONSTRUCTION DATE 11.02.16
VERTICAL: AS NOTED	ORIGINAL SIGNED DATE 11.02.16
DATE 10.10.20	MATT CHISLETT, P.ENG. BRIDGE PROJECTS ENGINEER



<b>THE CITY OF WINNIPEG</b> PUBLIC WORKS DEPARTMENT ENGINEERING DIVISION	
OSBORNE STREET BRIDGE REHABILITATION & RELATED WORKS	CITY DRAWING NUMBER B109-11-060
SOUTH ABUTMENT AND APPROACH SLAB PHASE 2A CONSTRUCTION	SHEET 55 OF 131
	55