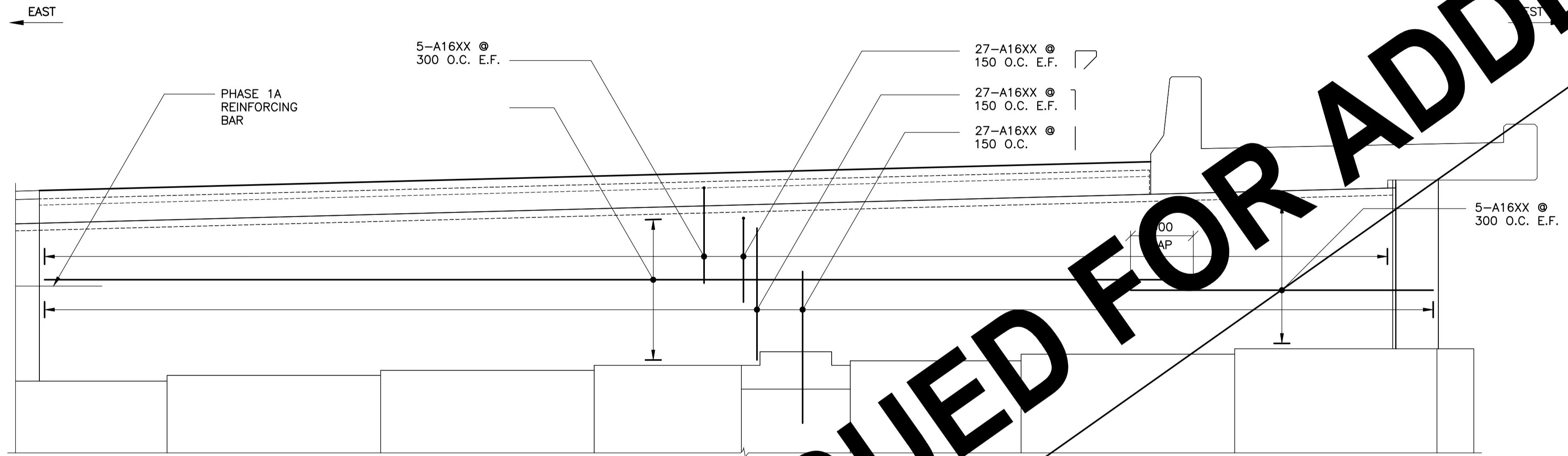
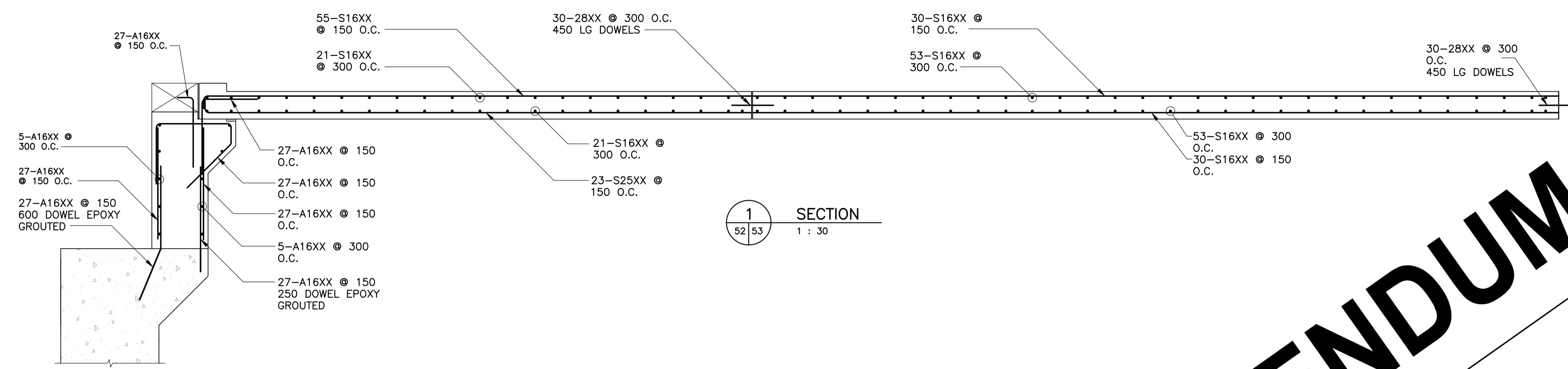
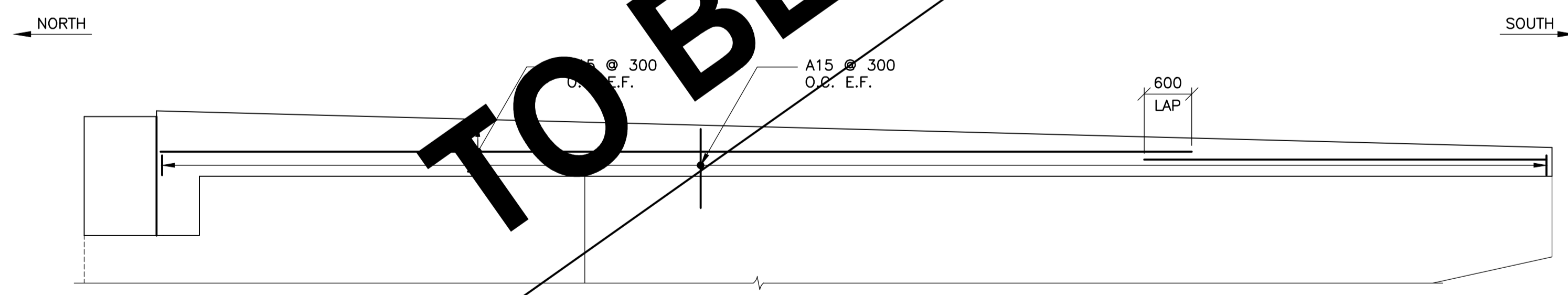


NORTH SOUTH



2 ELEVATION - SOUTH ABUTMENT PHASE 2 REINFORCING
1 : 30



3 ELEVATION SOUTH WEST RETAINING WALL PHASE 2 REINFORCING
1 : 50

TO BE ISSUED FOR ADDENDUM



B.M. ELEV.	F.B.	NO.	REVISIONS	DATE	BY

WARDROP ATETRA TECH COMPANY	
DESIGNED BY S.Y.	CHECKED BY
DRAWN BY B.M.	APPROVED BY
HOR. SCALE: AS NOTED	RELEASED FOR CONSTRUCTION DATE
VERTICAL: AS NOTED	DATE 10.10.20
MATT CHISLETY, P. ENG. BRIDGE PROJECTS ENGINEER	

THE CITY OF WINNIPEG PUBLIC WORKS DEPARTMENT ENGINEERING DIVISION	
OSBORNE STREET BRIDGE REHABILITATION & RELATED WORKS	CITY DRAWING NUMBER B109-11-058 SHEET 53 OF 131
SOUTH ABUTMENT AND APPROACH SLAB PHASE 2 REINFORCING	CONSULTANT DRAWING NO. 0900070502-DWG-S0053
53	