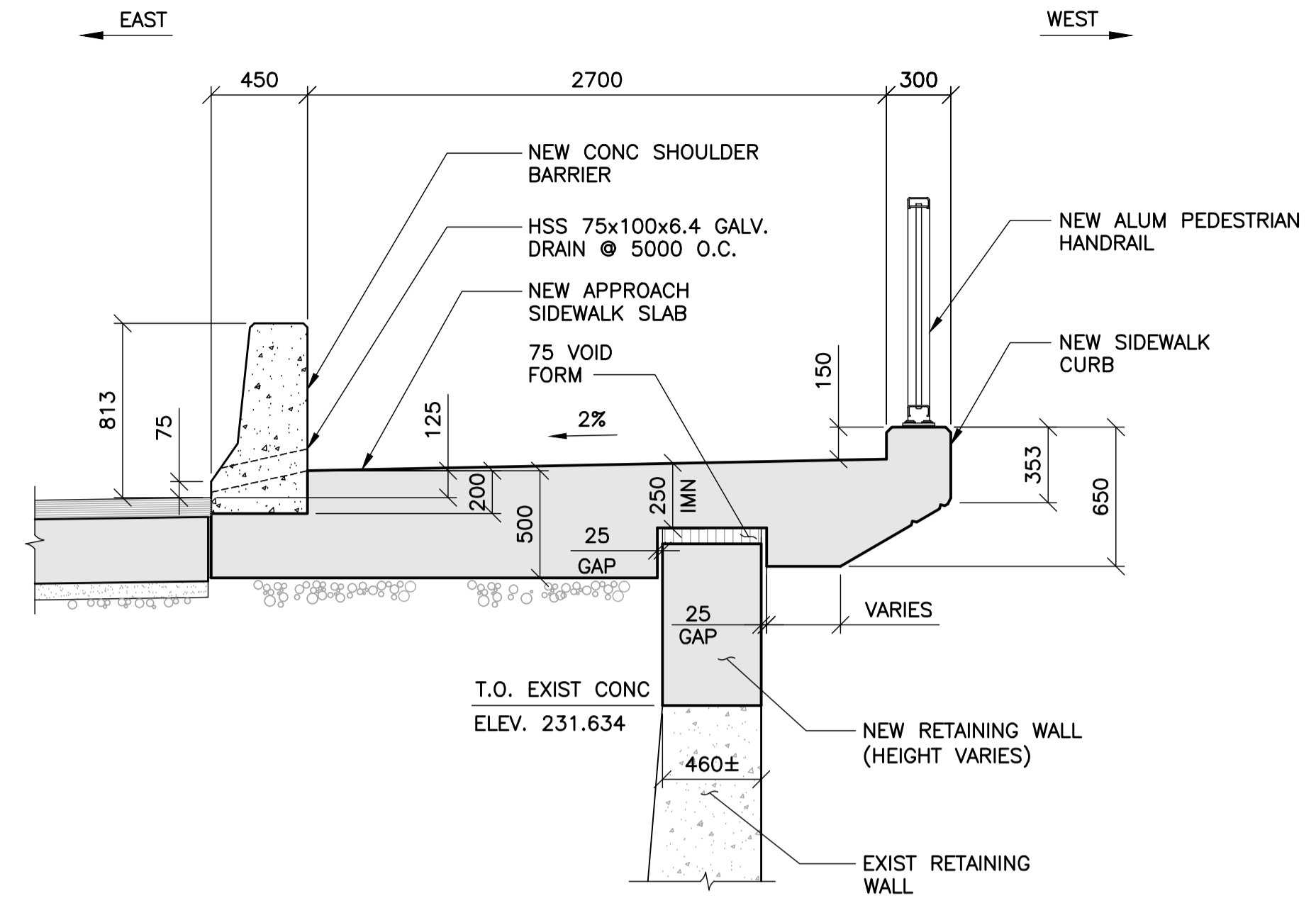
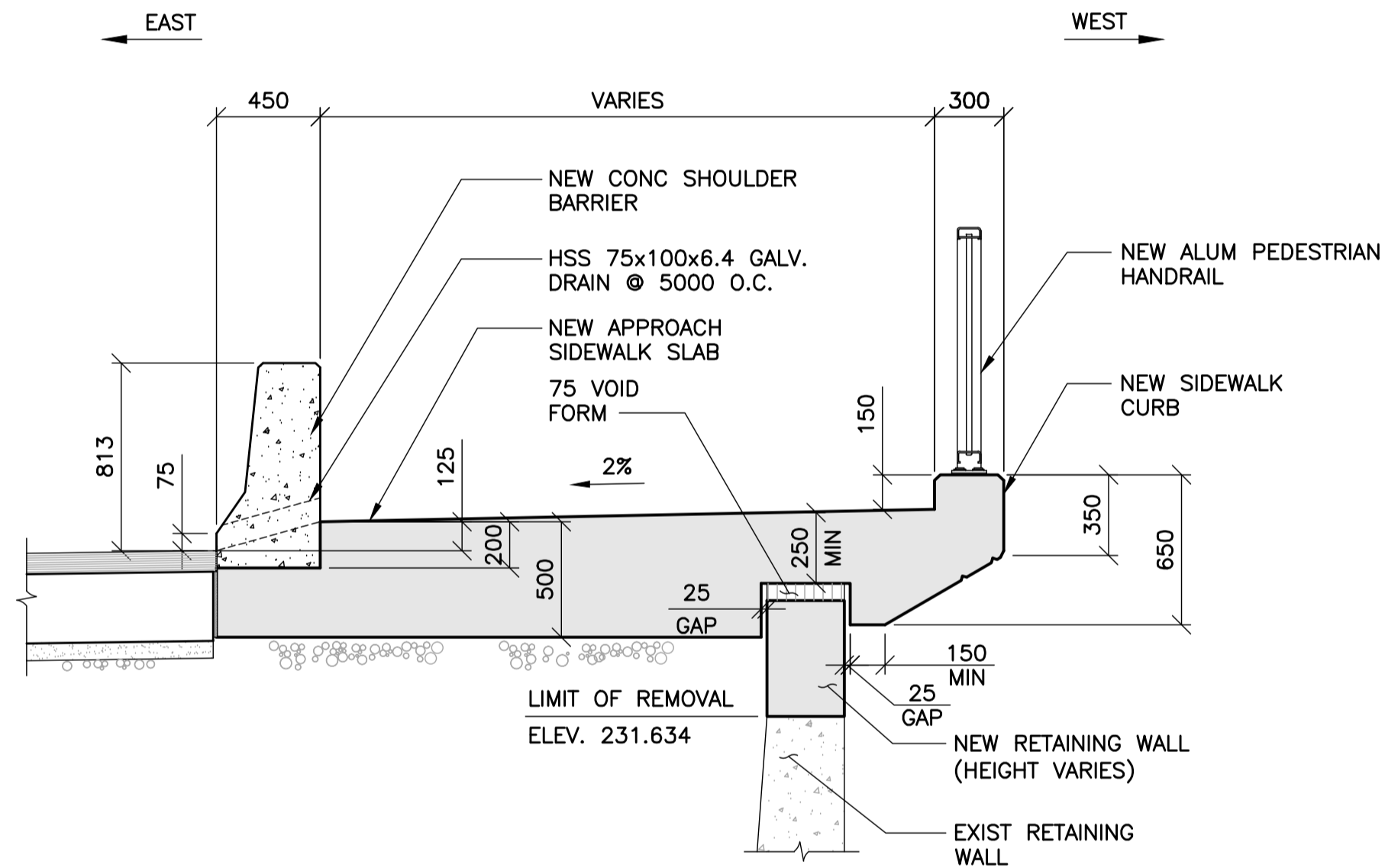


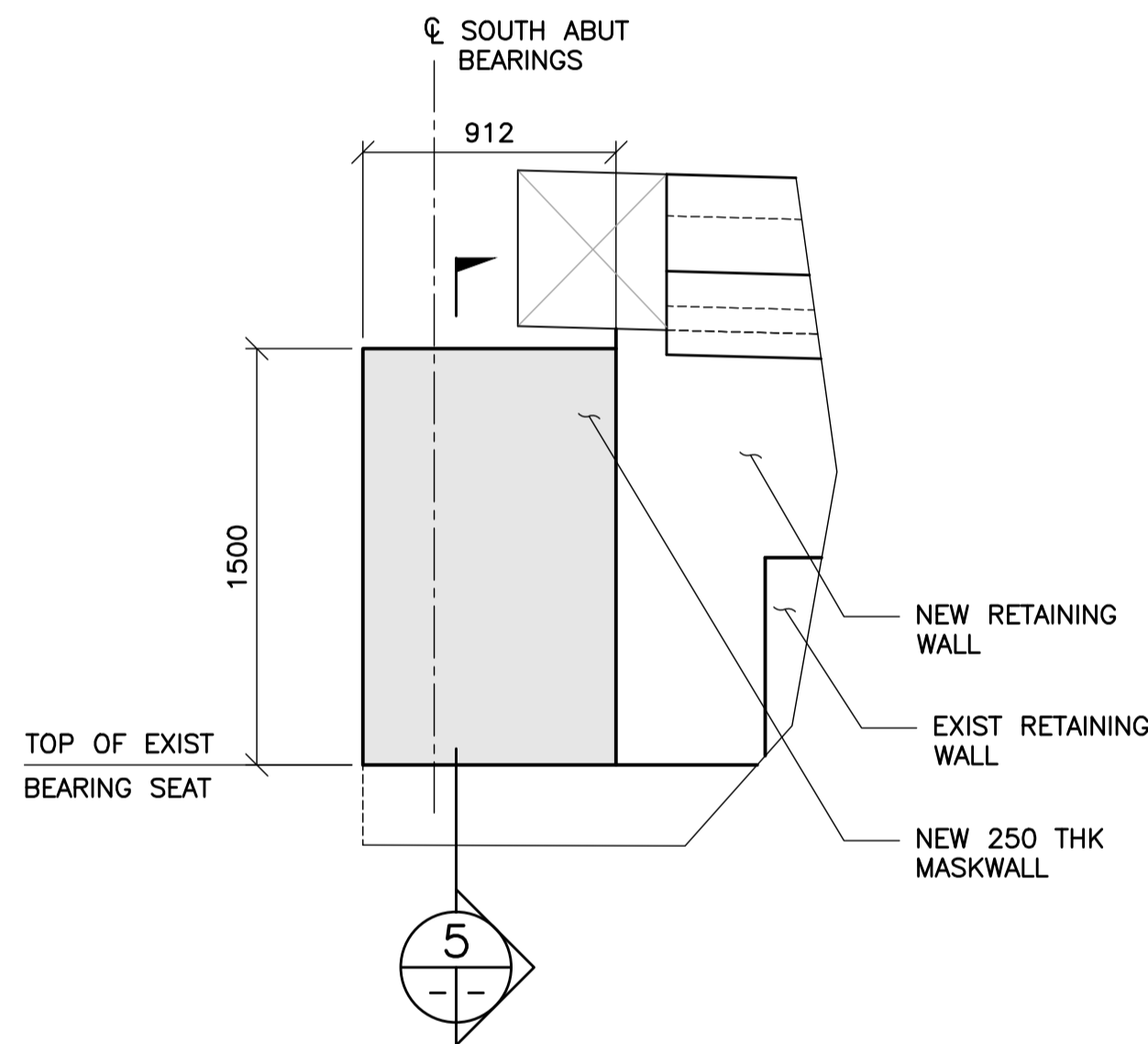
1 SOUTH WEST RETAINING WALL - ELEVATION
1 : 75



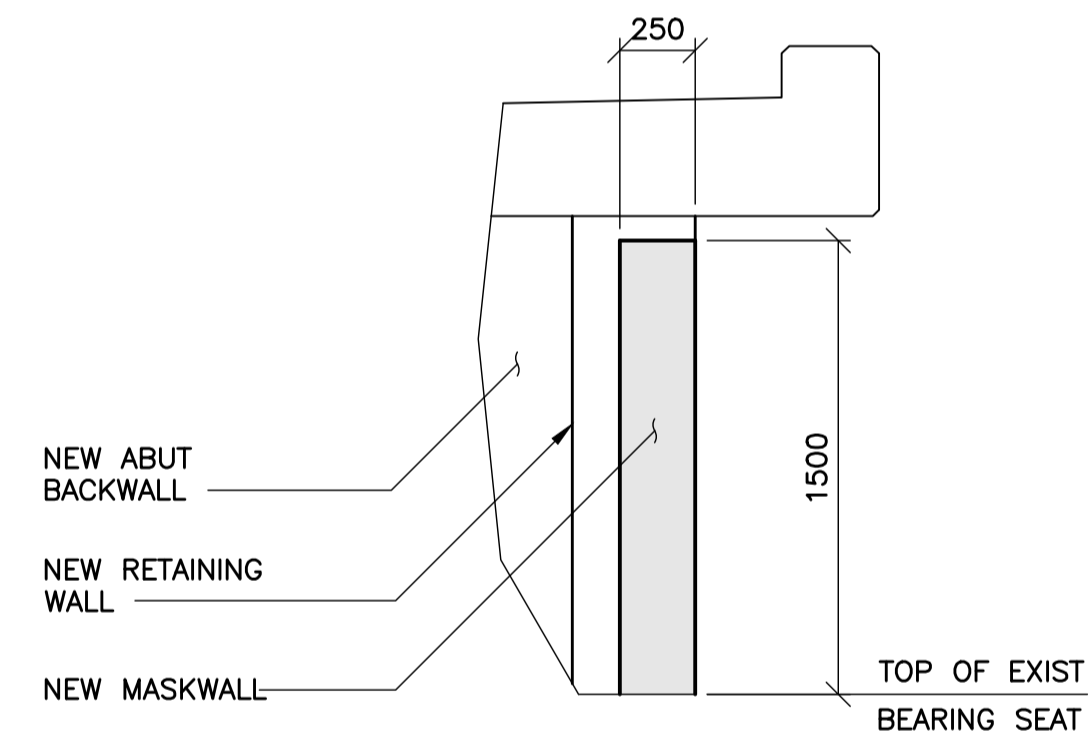
2 SECTION
1 : 25



3 SECTION
1 : 25



4 PARTIAL ELEVATION - MASKWALL
1 : 25

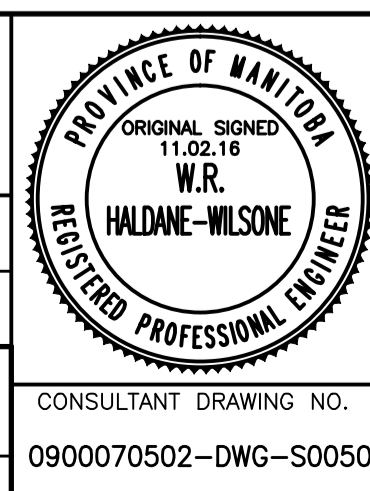


5 SECTION - MASKWALL
1 : 25



B.M. ELEV.	F.B.	DATE	BY
00	ISSUED FOR TENDER	11.02.18	RHW
	NO. REVISIONS		

WARDROP A TETRA TECH COMPANY	
DESIGNED BY: S.Y.	CHECKED BY: R.H.W.
DRAWN BY: B.M.	APPROVED BY: R.H.W.
HOR. SCALE: AS NOTED	RELEASED FOR CONSTRUCTION DATE: 11.02.16
VERTICAL: AS NOTED	ORIGINAL SIGNED: MATT CHISLETT, P. ENG. BRIDGE PROJECTS ENGINEER
DATE: 10.10.20	



THE CITY OF WINNIPEG PUBLIC WORKS DEPARTMENT ENGINEERING DIVISION	
OSBORNE STREET BRIDGE REHABILITATION & RELATED WORKS	CITY DRAWING NUMBER B109-11-055
SOUTH ABUTMENT AND APPROACH SLAB PHASE 2 CONSTRUCTION	SHEET 50 OF 131
	50