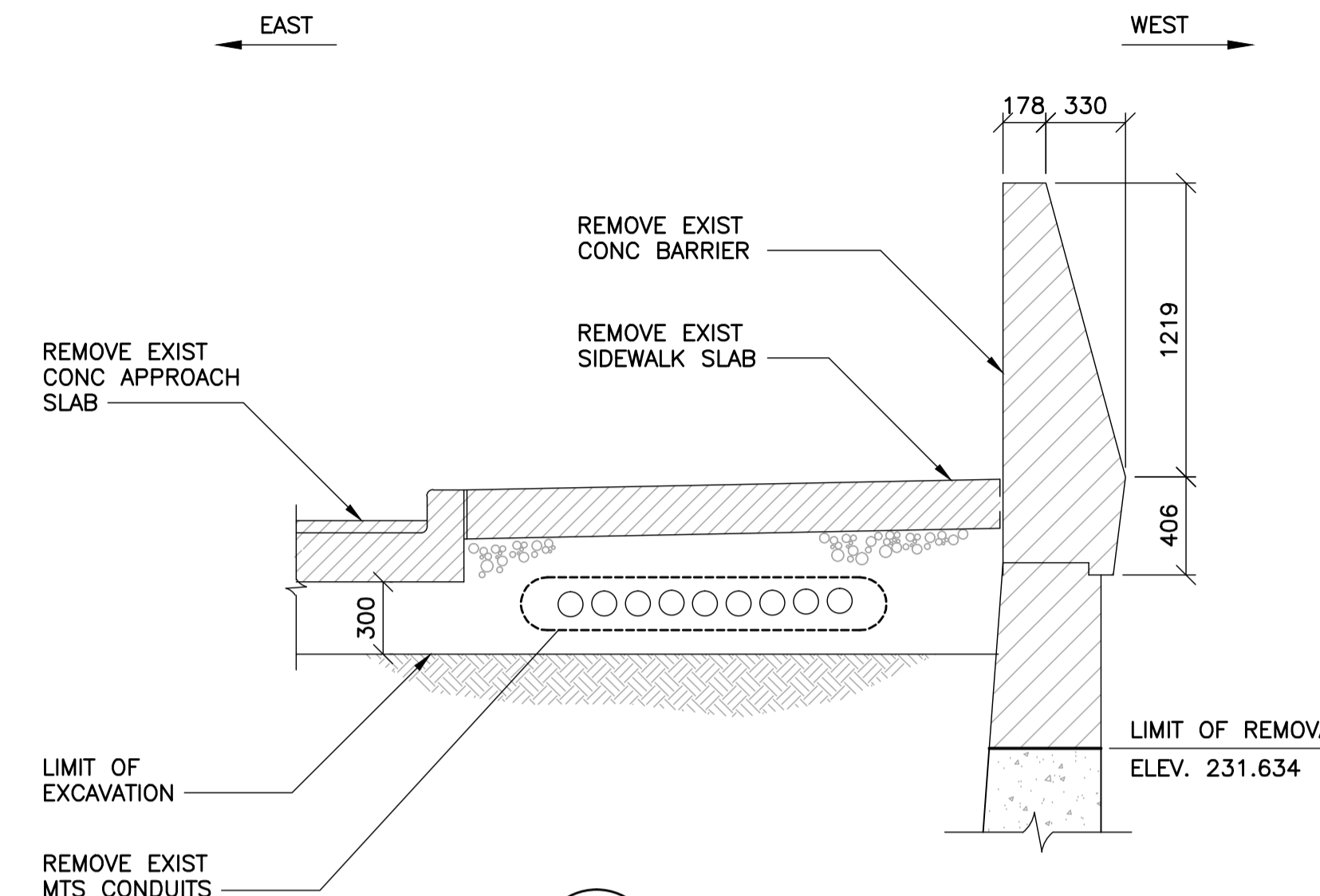
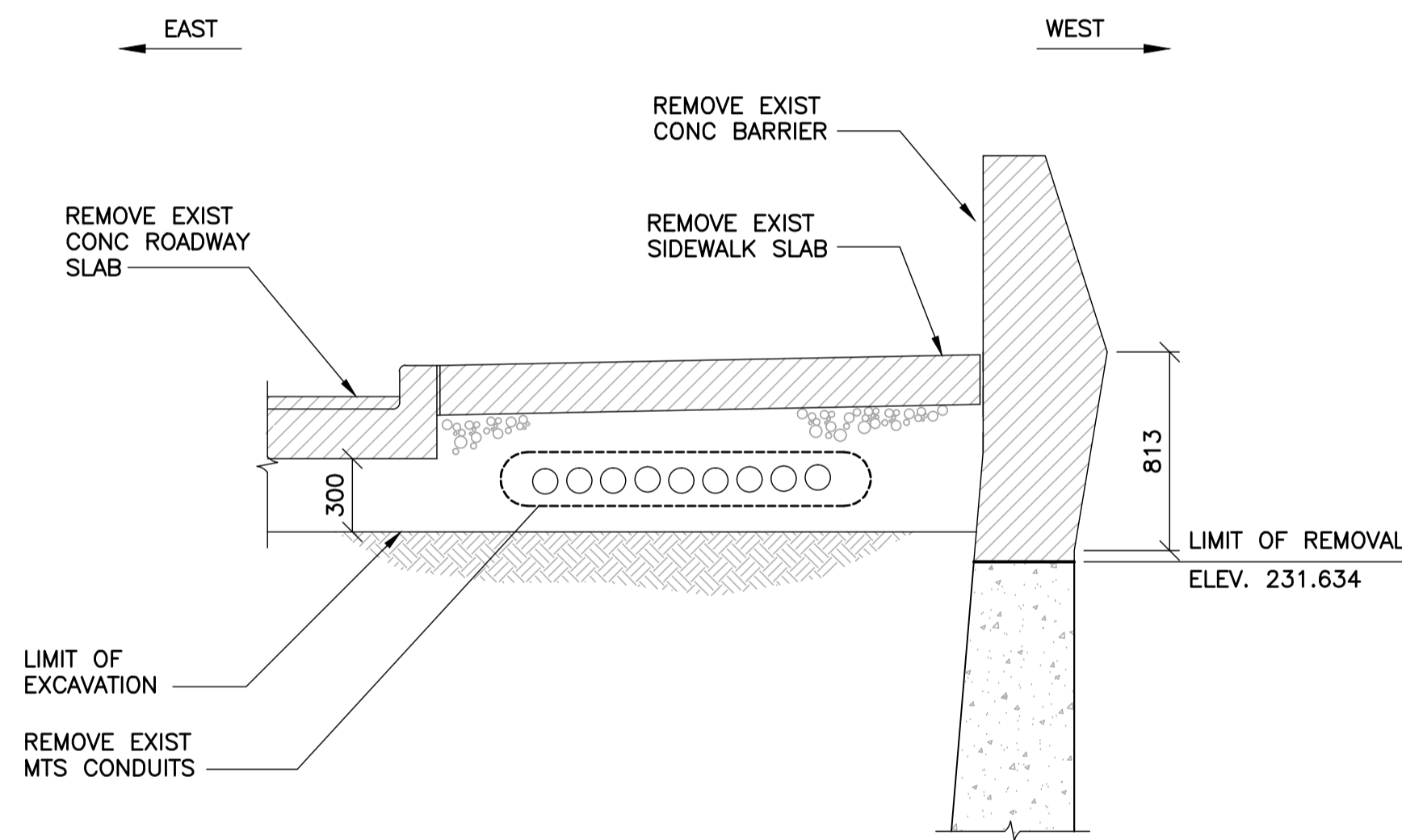


1 SOUTH WEST RETAINING WALL
47 48 1 : 75



2 SECTION
47 48 1 : 25



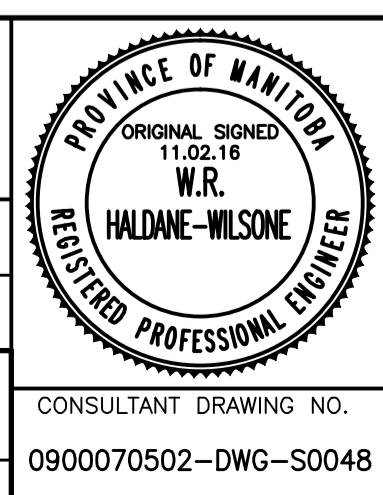
3 SECTION
47 48 1 : 25



| B.M. ELEV. | F.B. | DATE | BY |
|------------|-------------------|----------|-----|
| | | | |
| | | | |
| | | | |
| | | | |
| 00 | ISSUED FOR TENDER | 11.02.18 | RHW |
| NO. | REVISIONS | DATE | BY |

WARDROP
A TETRA TECH COMPANY

| | |
|----------------------|---|
| DESIGNED BY S.Y. | CHECKED BY R.H.W. |
| DRAWN BY B.M. | APPROVED BY R.H.W. |
| HOR. SCALE: AS NOTED | RELEASED FOR CONSTRUCTION DATE 11.02.16 |
| VERTICAL: AS NOTED | ORIGINAL SIGNED DATE 11.02.16 |
| DATE 10.10.20 | MATT CHISLETT, P. ENG. BRIDGE PROJECTS ENGINEER |



THE CITY OF WINNIPEG
PUBLIC WORKS DEPARTMENT
ENGINEERING DIVISION

OSBORNE STREET BRIDGE
REHABILITATION & RELATED WORKS

SOUTH ABUTMENT AND APPROACH SLAB
PHASE 2 REMOVAL

CITY DRAWING NUMBER
B109-11-053
SHEET 48 OF 131

CONSULTANT DRAWING NO.
0900070502-DWG-S0048

48